

PT 4-EX(I)-BE - Surge protection base-element

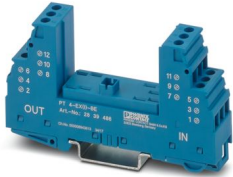


2839486

<https://www.phoenixcontact.com/us/products/2839486>

Please be informed that the data shown in this PDF document is generated from our online catalog. Please find the complete data in the user documentation. Our general terms of use for downloads are valid.

Base element for protective plug PT with protective circuit for a 4-core floating EEx ia signal circuit. Nominal voltage: 24 V DC, for mounting on NS 35/7.5 and NS 35/15, housing width: 17.5 mm



Your advantages

- Maximum ease of maintenance, thanks to the 2-piece design
- Easy selection for all possible demands in MCR applications with a complete product portfolio
- The signal is not influenced during maintenance work, thanks to the impedance-neutral insertion and removal of protective plugs

Commercial data

Item number	2839486
Packing unit	10 pc
Minimum order quantity	1 pc
Sales key	CL21
Product key	CL2113
GTIN	4017918182892
Weight per piece (including packing)	74.77 g
Weight per piece (excluding packing)	61.83 g
Customs tariff number	85366990
Country of origin	DE

PT 4-EX(I)-BE - Surge protection base-element

2839486

<https://www.phoenixcontact.com/us/products/2839486>

Technical data

Product properties

Product type	Base element
Product family	PLUGTRAB PT
Type	Base element, DIN rail mounting
Number of positions	4
Wire pairs per module	2

Insulation characteristics

Overvoltage category	III
Pollution degree	2

Electrical properties

Nominal voltage U_N	24 V DC
-----------------------	---------

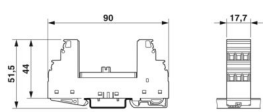
Connection data

Connection method	Screw connection
Screw thread	M3
Tightening torque	0.5 Nm
Conductor cross-section flexible	0.2 mm ² ... 2.5 mm ²
Conductor cross-section rigid	0.2 mm ² ... 4 mm ²
Conductor cross-section AWG	24 ... 12

Ex data

Maximum inner capacitance C_i	1.1 nF
Max. internal inductance L_i	1 μ H
Max. input current I_i	500 mA (T4 / $\leq 80^\circ\text{C}$)
	500 mA (T5 / $\leq 55^\circ\text{C}$)
	500 mA (T6 / $\leq 40^\circ\text{C}$)
Max. input voltage U_i	30 V DC
max. input power P_i	850.00 mW (T4 / $\leq 80^\circ\text{C}$)
	700.00 mW (T5 / $\leq 55^\circ\text{C}$)
	700.00 mW (T6 / $\leq 40^\circ\text{C}$)
Maximum inner time factor (R_i/L_i)	$\leq 10 \mu\text{s}$
Ambient temperature (operation)	-40 °C ... 80 °C (T4)
	-40 °C ... 55 °C (T5)
	-40 °C ... 40 °C (T6)

Dimensions

Dimensional drawing	
---------------------	--

PT 4-EX(I)-BE - Surge protection base-element



2839486

<https://www.phoenixcontact.com/us/products/2839486>

Width	17.7 mm
Height	90 mm
Depth	51.5 mm (incl. DIN rail 7.5 mm)
Horizontal pitch	1 Div.

Material specifications

Color	blue (RAL 5015)
	copper color
Flammability rating according to UL 94	V-0
Housing material	PA 6.6

Mechanical properties

Mechanical data

Open side panel	No
-----------------	----

Protective circuit

Nominal voltage U_N	24 V DC
Maximum continuous operating voltage U_C	30 V DC
	21 V AC
Rated current	500 mA (40 °C)
Resistance per path	0 Ω
Surge protection fault message	none
Max. required back-up fuse	500 mA (T)

Environmental and real-life conditions

Ambient conditions

Degree of protection	IP20
Ambient temperature (operation)	-40 °C ... 85 °C
Ambient temperature (storage/transport)	-40 °C ... 85 °C
Altitude	\leq 2000 m (amsl)

Approvals

Conformity/Approvals

ATEX	Ⓜ II 1 G Ex ia IIC T4...T6
	Ⓜ II 1 D Ex iaD 20 IP6x T85 °C...135 °C

Standards and regulations

Standards/specifications	EN 61643-21
Note	A2:2013
Standards/specifications	EN 60079-0
Note	2018
Standards/specifications	EN 60079-11
Note	2012

PT 4-EX(I)-BE - Surge protection base-element



2839486

<https://www.phoenixcontact.com/us/products/2839486>

Standards/specifications	IEC 60079-0
Note	2017
Standards/specifications	IEC 60079-11
Note	2011
Standards/specifications	GB/T 3836.1
Note	2021
Standards/specifications	GB/T 3836.4
Note	2021

Mounting

Mounting type	DIN rail: 35 mm
---------------	-----------------

PT 4-EX(I)-BE - Surge protection base-element

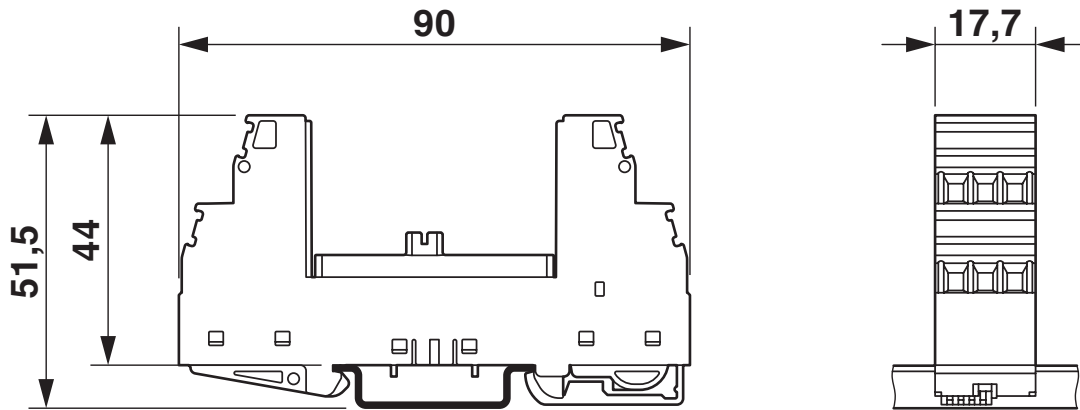


2839486

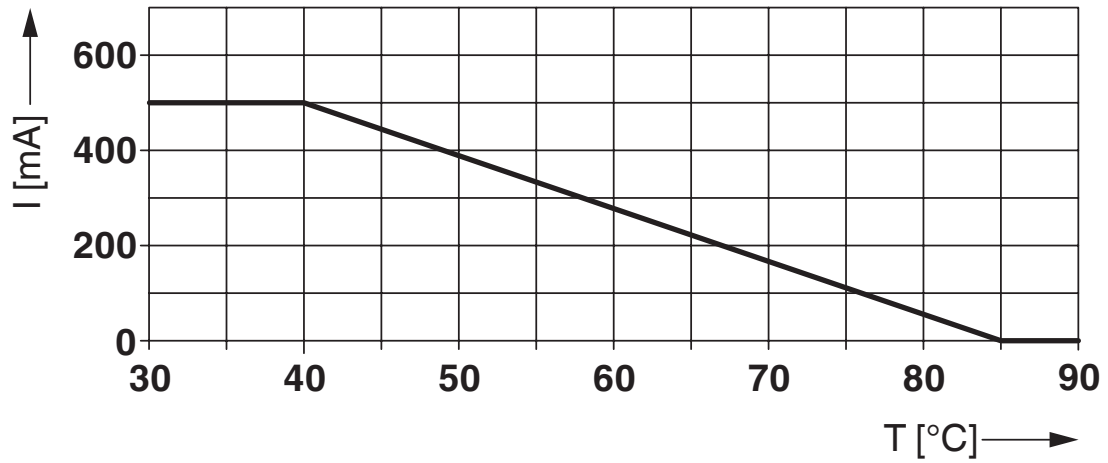
<https://www.phoenixcontact.com/us/products/2839486>

Drawings

Dimensional drawing



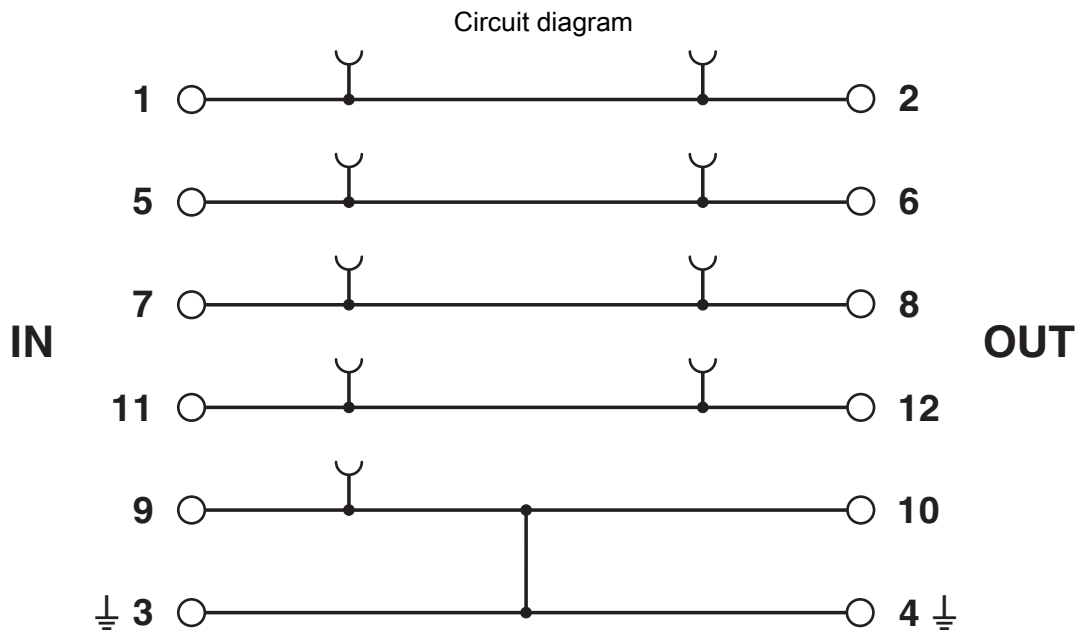
Diagram



PT 4-EX(I)-BE - Surge protection base-element

2839486

<https://www.phoenixcontact.com/us/products/2839486>



PT 4-EX(I)-BE - Surge protection base-element



2839486

<https://www.phoenixcontact.com/us/products/2839486>

Approvals

To download certificates, visit the product detail page: <https://www.phoenixcontact.com/us/products/2839486>



DNV GL

Approval ID: TAE00001N6



ATEX

Approval ID: KEMA 00ATEX1099 X



IECEX

Approval ID: IECEX KEM 10.0063X

INMETRO

Approval ID: DNV 19.0031 X/01



UKCA-EX

Approval ID: DEKRA 21UKEX0234 X



CCC

Approval ID: 2020322316001009

PT 4-EX(I)-BE - Surge protection base-element



2839486

<https://www.phoenixcontact.com/us/products/2839486>

Classifications

ECLASS

ECLASS-13.0	27171502
ECLASS-15.0	27171502

ETIM

ETIM 10.0	EC001466
-----------	----------

UNSPSC

UNSPSC 21.0	39121600
-------------	----------

PT 4-EX(I)-BE - Surge protection base-element



2839486

<https://www.phoenixcontact.com/us/products/2839486>

Environmental product compliance

EU RoHS

Fulfills EU RoHS substance requirements	Yes, No exemptions
---	--------------------

China RoHS

Environment friendly use period (EFUP)	EFUP-E
	No hazardous substances above the limits

EU REACH SVHC

REACH candidate substance (CAS No.)	No substance above 0.1 wt%
-------------------------------------	----------------------------

Phoenix Contact 2026 © - all rights reserved
<https://www.phoenixcontact.com>

Phoenix Contact USA
586 Fulling Mill Road
Middletown, PA 17057, United States
(+717) 944-1300
info@phoenixcon.com