

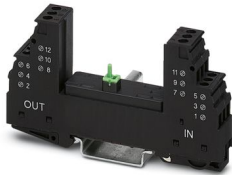
PT 4X1+F-BE - Surge protection base-element



2839376

<https://www.phoenixcontact.com/us/products/2839376>

Please be informed that the data shown in this PDF document is generated from our online catalog. Please find the complete data in the user documentation. Our general terms of use for downloads are valid.



Base element for protective plug PT with protective circuit for 4 signal wires, with gas-filled surge arrester between the connections 3-4 (GND) and 9-10, for mounting on NS 35/7.5 and NS 35/15, housing width: 17.5 mm

Your advantages

- Maximum ease of maintenance, thanks to the 2-piece design
- Easy selection for all possible demands in MCR applications with a complete product portfolio
- The signal is not influenced during maintenance work, thanks to the impedance-neutral insertion and removal of protective plugs

Commercial data

| | |
|--------------------------------------|---------------|
| Item number | 2839376 |
| Packing unit | 10 pc |
| Minimum order quantity | 1 pc |
| Sales key | CL21 |
| Product key | CL2111 |
| GTIN | 4017918182809 |
| Weight per piece (including packing) | 57.6 g |
| Weight per piece (excluding packing) | 51.529 g |
| Customs tariff number | 85366990 |
| Country of origin | DE |

PT 4X1+F-BE - Surge protection base-element



2839376

<https://www.phoenixcontact.com/us/products/2839376>

Technical data

Notes

| | |
|--------------------|--|
| Notes on operation | In the base elements PT...+F-BE , the connections 9/10 (GND) are linked to the mounting foot via a gas-filled surge arrester. |
|--------------------|--|

Product properties

| | |
|--------------------------------|---------------------------------|
| Product type | Base element |
| Product family | PLUGTRAB PT |
| Type | Base element, DIN rail mounting |
| Number of positions | 4 |
| Surge protection fault message | none |

Insulation characteristics

| | |
|----------------------|-----|
| Overvoltage category | III |
| Pollution degree | 2 |

Electrical properties

| | |
|-----------------------|---------|
| Nominal voltage U_N | 48 V AC |
|-----------------------|---------|

Connection data

| | |
|----------------------------------|---|
| Connection method | Screw connection |
| Screw thread | M3 |
| Tightening torque | 0.5 Nm |
| Conductor cross-section flexible | 0.2 mm ² ... 2.5 mm ² |
| Conductor cross-section rigid | 0.2 mm ² ... 4 mm ² |
| Conductor cross-section AWG | 24 ... 12 |

Dimensions

| | |
|---------------------|---------------------------------|
| Dimensional drawing | |
| Width | 17.7 mm |
| Height | 90 mm |
| Depth | 51.5 mm (incl. DIN rail 7.5 mm) |
| Horizontal pitch | 1 Div. |

Material specifications

| | |
|--|----------------------------------|
| Color | black (RAL 9005) copper color |
| Flammability rating according to UL 94 | V-0 |
| Housing material | PA 6.6 |

PT 4X1+F-BE - Surge protection base-element



2839376

<https://www.phoenixcontact.com/us/products/2839376>

Mechanical properties

Mechanical data

| | |
|-----------------|----|
| Open side panel | No |
|-----------------|----|

Protective circuit

| | |
|--|-----------------------------------|
| Direction of action | Signal Ground/Shield-Earth Ground |
| Nominal voltage U_N | 48 V AC |
| Maximum continuous operating voltage U_C | 77 V DC |
| | 55 V AC |
| Rated current | 300 mA (45 °C) |
| Resistance per path | 4.7 Ω 10 % |
| Surge protection fault message | none |
| Max. required back-up fuse | 315 mA (T) |

Environmental and real-life conditions

Ambient conditions

| | |
|---|----------------------|
| Degree of protection | IP20 |
| Ambient temperature (operation) | -40 °C ... 85 °C |
| Ambient temperature (storage/transport) | -40 °C ... 85 °C |
| Altitude | \leq 2000 m (amsl) |

Standards and regulations

| | |
|--------------------------|---|
| Standards/specifications | IEC 61643-21 |
| Note | 2000 + corrigendum 2001 + A1:2008, modified + A2:2012 |
| Standards/specifications | EN 61643-21 |
| Note | 2001 + A1:2009 + A2:2013 |

Mounting

| | |
|---------------|-----------------|
| Mounting type | DIN rail: 35 mm |
|---------------|-----------------|

PT 4X1+F-BE - Surge protection base-element

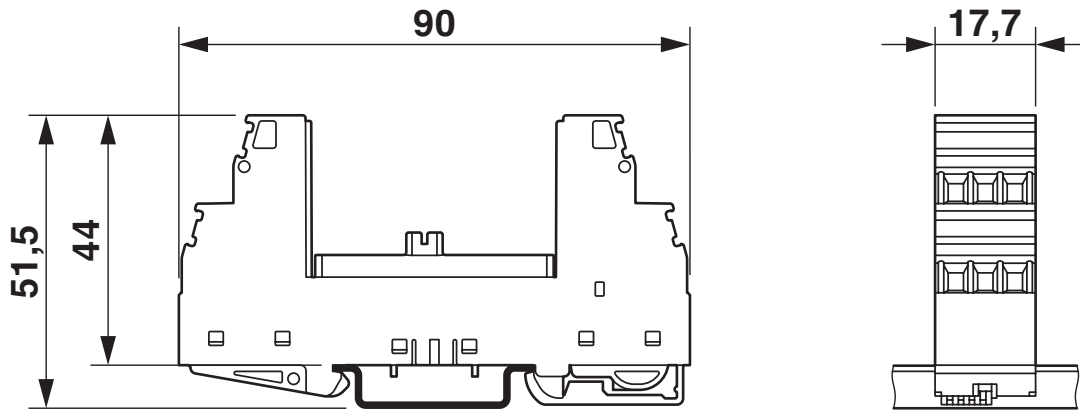


2839376

<https://www.phoenixcontact.com/us/products/2839376>

Drawings

Dimensional drawing



Diagram



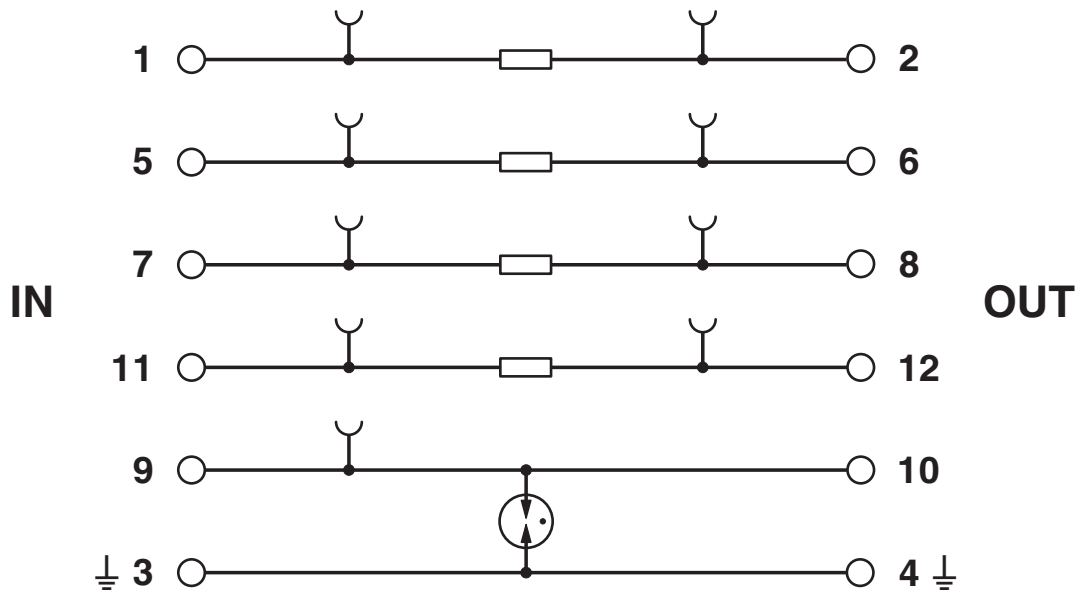
PT 4X1+F-BE - Surge protection base-element

2839376

<https://www.phoenixcontact.com/us/products/2839376>



Circuit diagram



PT 4X1+F-BE - Surge protection base-element



2839376

<https://www.phoenixcontact.com/us/products/2839376>

Approvals

To download certificates, visit the product detail page: <https://www.phoenixcontact.com/us/products/2839376>



DNV GL

Approval ID: TAE00001N6



UL Listed

Approval ID: FILE E 138168



cUL Listed

Approval ID: FILE E 333250



UL Listed

Approval ID: FILE E 333250

PT 4X1+F-BE - Surge protection base-element



2839376

<https://www.phoenixcontact.com/us/products/2839376>

Classifications

ECLASS

| | |
|-------------|----------|
| ECLASS-13.0 | 27171592 |
| ECLASS-15.0 | 27171592 |

ETIM

| | |
|-----------|----------|
| ETIM 10.0 | EC002497 |
|-----------|----------|

UNSPSC

| | |
|-------------|----------|
| UNSPSC 21.0 | 39121600 |
|-------------|----------|

PT 4X1+F-BE - Surge protection base-element



2839376

<https://www.phoenixcontact.com/us/products/2839376>

Environmental product compliance

EU RoHS

| | |
|---|--------------------|
| Fulfills EU RoHS substance requirements | Yes, No exemptions |
|---|--------------------|

China RoHS

| | |
|--|--|
| Environment friendly use period (EFUP) | EFUP-E |
| | No hazardous substances above the limits |

EU REACH SVHC

| | |
|-------------------------------------|----------------------------|
| REACH candidate substance (CAS No.) | No substance above 0.1 wt% |
|-------------------------------------|----------------------------|

Phoenix Contact 2026 © - all rights reserved
<https://www.phoenixcontact.com>

Phoenix Contact USA
586 Fulling Mill Road
Middletown, PA 17057, United States
(+717) 944-1300
info@phoenixcon.com