

# PT 2-PE/S-230AC-ST - Type 3 surge protection plug



2839347

<https://www.phoenixcontact.com/us/products/2839347>

Please be informed that the data shown in this PDF document is generated from our online catalog. Please find the complete data in the user documentation. Our general terms of use for downloads are valid.



Type 3 arrester replacement plug (device protection) for 1-phase power supply networks with separate N and PE (3-conductor system: L1, N, PE).

## Commercial data

Item number	2839347
Packing unit	1 pc
Note	Made to order (non-returnable)
Sales key	NULL
Product key	CL1411
GTIN	4017918182540
Weight per piece (including packing)	26.47 g
Weight per piece (excluding packing)	26.47 g
Customs tariff number	85363090
Country of origin	DE

# PT 2-PE/S-230AC-ST - Type 3 surge protection plug

2839347

<https://www.phoenixcontact.com/us/products/2839347>

## Technical data

### Product properties

Product type	Replacement plug
Product family	PLUGTRAB PT
Type	Male
Number of positions	2
Surge protection fault message	optical

### Insulation characteristics

Overvoltage category	III
Pollution degree	2
Arrester can be tested with CHECKMASTER from software version:	From SW rev. 1.00
IEC test classification	III T3
EN type	T3

### Dimensions

Dimensional drawing	
Width	17.7 mm
Height	45 mm
Depth	52 mm
Horizontal pitch	1 Div.
Complete module width	17.7 mm
Complete module height	90 mm
Complete module depth	65.5 mm

### Material specifications

Flammability rating according to UL 94	V0
Housing material	PA 6.6

### Protective circuit

Direction of action	1L-N & N-PE
Nominal frequency $f_N$	50 Hz 60 Hz
Maximum continuous operating voltage $U_C$	253 V AC
Nominal current $I_N$	26 A (30 °C)
Rated load current $I_L$	26 A (30 °C)
Protective conductor current $I_{PE}$	$\leq 2.5 \mu\text{A}$

# PT 2-PE/S-230AC-ST - Type 3 surge protection plug



2839347

<https://www.phoenixcontact.com/us/products/2839347>

Standby power consumption $P_C$	$\leq 350$ mVA
Nominal discharge current $I_n$ (8/20) $\mu$ s	3 kA
	3 kA (in acc. with UL 1449)
Voltage protection level $U_p$ (L-N)	$\leq 1.1$ kV
Voltage protection level $U_p$ (L-PE)	$\leq 1.5$ kV
Voltage protection level $U_p$ (N-PE)	$\leq 1.5$ kV
Residual voltage at $I_n$	$\leq 1.1$ kV
	$\leq 600$ V
	$\leq 600$ V
Response time $t_A$ (L-N)	$\leq 25$ ns
Response time $t_A$ (L-PE)	$\leq 100$ ns
Response time $t_A$ (N-PE)	$\leq 100$ ns
Max. required back-up fuse	25 A (gL)
	25 A (MCB 25 A B/C)
Short-circuit current rating $I_p$ with max. backup fuse (r.m.s.)	1.5 kA

## Environmental and real-life conditions

### Ambient conditions

Degree of protection	IP20
Ambient temperature (operation)	-40 °C ... 85 °C (non-Ex)
	-40 °C ... 80 °C (Class I Div. 2 Gr. A, B, C, D)

## Standards and regulations

### Standards

Standards/regulations	IEC 61643-1
	EN 61643-11/A11
	UL 1449

### Air clearances and creepage distances

Standards/regulations	DIN VDE 0110-1 / IEC 60664-1
Standards/specifications	IEC 61643-1
Note	2005
Standards/specifications	EN 61643-11/A11
Note	2007
Standards/specifications	UL 1449
Note	ed. 2

## Mounting

Mounting type	on base element
---------------	-----------------

# PT 2-PE/S-230AC-ST - Type 3 surge protection plug

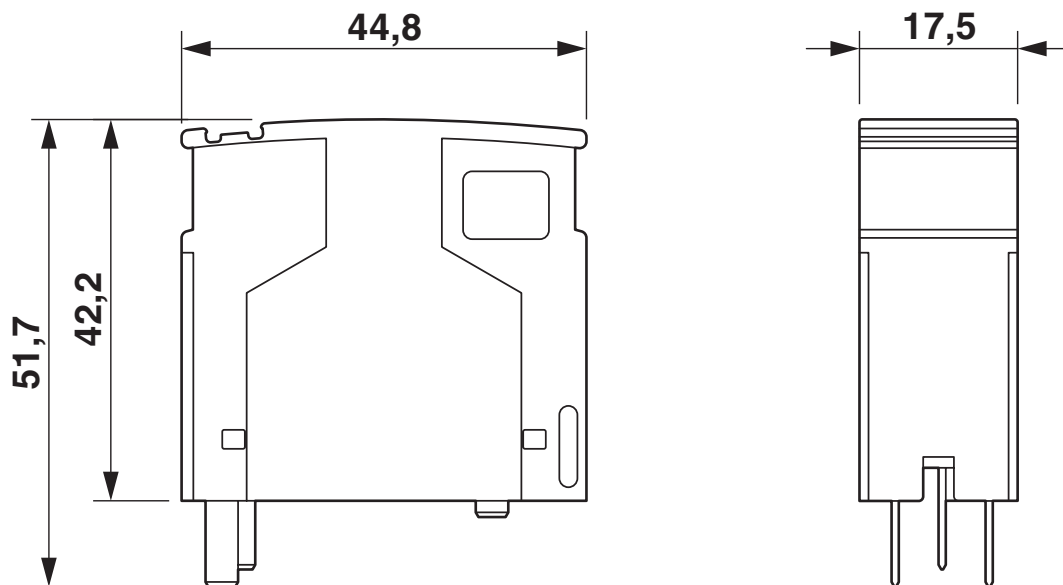


2839347

<https://www.phoenixcontact.com/us/products/2839347>

## Drawings

Dimensional drawing



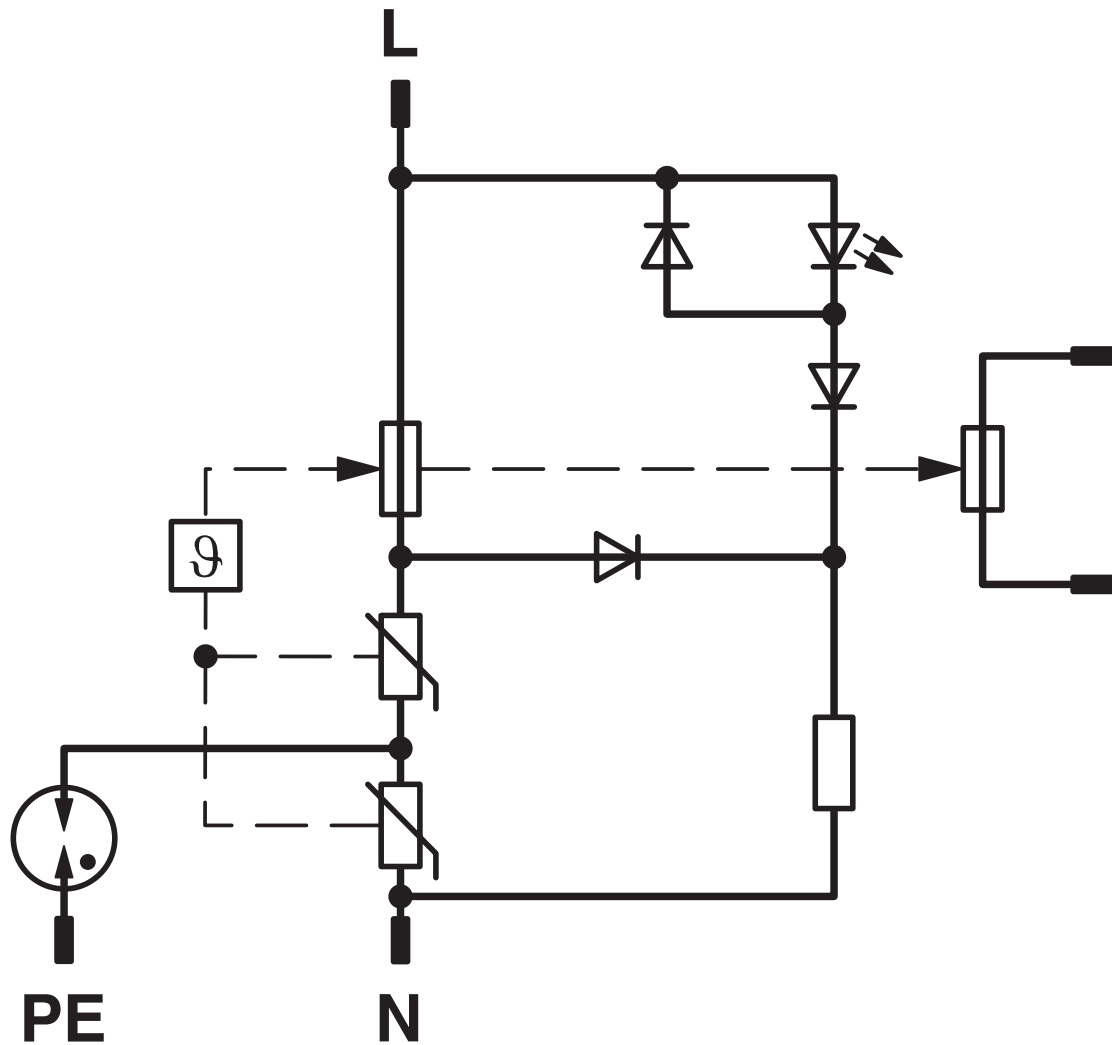
# PT 2-PE/S-230AC-ST - Type 3 surge protection plug

2839347

<https://www.phoenixcontact.com/us/products/2839347>



Circuit diagram



# PT 2-PE/S-230AC-ST - Type 3 surge protection plug



2839347

<https://www.phoenixcontact.com/us/products/2839347>

## Environmental product compliance

### EU RoHS

Fulfills EU RoHS substance requirements	Yes
Exemption	7(a)

### EU REACH SVHC

REACH candidate substance (CAS No.)	Lead(CAS: 7439-92-1)
-------------------------------------	----------------------

Phoenix Contact 2026 © - all rights reserved  
<https://www.phoenixcontact.com>

Phoenix Contact USA  
586 Fulling Mill Road  
Middletown, PA 17057, United States  
(+717) 944-1300  
[info@phoenixcon.com](mailto:info@phoenixcon.com)