

PT-BE/FM - Type 3 surge protection base element



2839282

<https://www.phoenixcontact.com/us/products/2839282>

Please be informed that the data shown in this PDF document is generated from our online catalog. Please find the complete data in the user documentation. Our general terms of use for downloads are valid.

Base element for protective plug PT, for mounting on NS 35/7.5 and NS 35/15, housing width: 17.5 mm



Your advantages

- Maximum ease of maintenance, thanks to the 2-piece design
- Easy selection for all possible demands in MCR applications with a complete product portfolio
- The signal is not influenced during maintenance work, thanks to the impedance-neutral insertion and removal of protective plugs
- Easy integration into the control room via floating remote indication contact

Commercial data

Item number	2839282
Packing unit	10 pc
Minimum order quantity	1 pc
Sales key	CL01
Product key	CL1411
GTIN	4017918182502
Weight per piece (including packing)	48.7 g
Weight per piece (excluding packing)	45.91 g
Customs tariff number	85366990
Country of origin	DE

PT-BE/FM - Type 3 surge protection base element



2839282

<https://www.phoenixcontact.com/us/products/2839282>

Technical data

Product properties

Product type	Base element
Product family	PLUGTRAB PT
IEC power supply system	TN-S
	TT
Type	Base element, DIN rail mounting
Number of positions	3
Surge protection fault message	Remote indication contact

Insulation characteristics

Overvoltage category	III
Pollution degree	2
IEC test classification	III
	T3
EN type	T3
Number of ports	One

Electrical properties

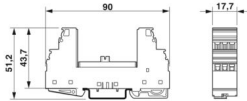
Indicator/remote signaling

Connection name	Remote fault indicator contact
Switching function	N/C contact

Connection data

Connection method	Screw connection
Screw thread	M3
Tightening torque	0.8 Nm
Conductor cross-section flexible	0.2 mm ² ... 2.5 mm ²
Conductor cross-section rigid	0.2 mm ² ... 4 mm ²
Conductor cross-section AWG	24 ... 12

Dimensions

Dimensional drawing	
Width	17.7 mm
Height	90 mm
Depth	51.2 mm
Horizontal pitch	1 Div.
Complete module width	17.7 mm
Complete module height	90 mm

PT-BE/FM - Type 3 surge protection base element



2839282

<https://www.phoenixcontact.com/us/products/2839282>

Complete module depth	65.5 mm
-----------------------	---------

Material specifications

Color	black (RAL 9005)
Flammability rating according to UL 94	V-0
CTI value of material	600
Insulating material	PA 6.6-FR
Material group	I
Housing material	PA 6.6-FR

Mechanical properties

Mechanical data

Open side panel	No
-----------------	----

Protective circuit

Nominal voltage U_N	230 V AC (TN-S) 230 V AC (TT)
Nominal frequency f_N	50 Hz (60 Hz)
Maximum continuous operating voltage U_C	264 V AC
Rated load current I_L	26 A (30 °C)
Short-circuit current rating I_{SCCR}	1.5 kA AC
Maximum backup fuse for through wiring	25 A (gG / B / C)
Max. backup fuse with branch wiring	depends on the plug used

Environmental and real-life conditions

Ambient conditions

Degree of protection	IP20
Ambient temperature (operation)	-40 °C ... 80 °C
Ambient temperature (storage/transport)	-40 °C ... 80 °C
Altitude	≤ 2000 m (amsl)
Permissible humidity (operation)	5 % ... 95 %
Shock (operation)	30g (Half-sine / 11 ms / 3x ±X, ±Y, ±Z)
Vibration (operation)	5g (10 Hz ... 150 Hz / 20 cycles/axis / X, Y, Z)

Standards and regulations

Standards/specifications	IEC 61643-11
Note	2011
Standards/specifications	EN 61643-11
Note	2012

Mounting

Mounting type	DIN rail: 35 mm
---------------	-----------------

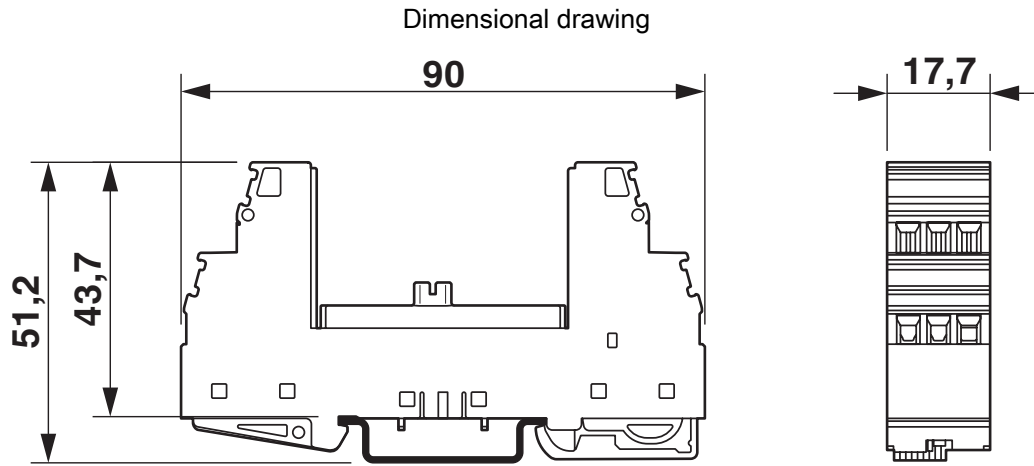
PT-BE/FM - Type 3 surge protection base element



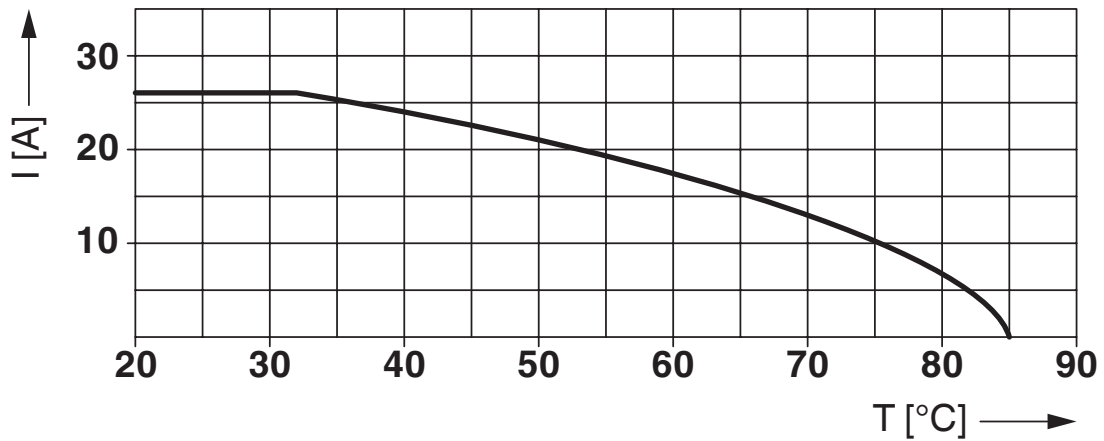
2839282

<https://www.phoenixcontact.com/us/products/2839282>

Drawings



Diagram



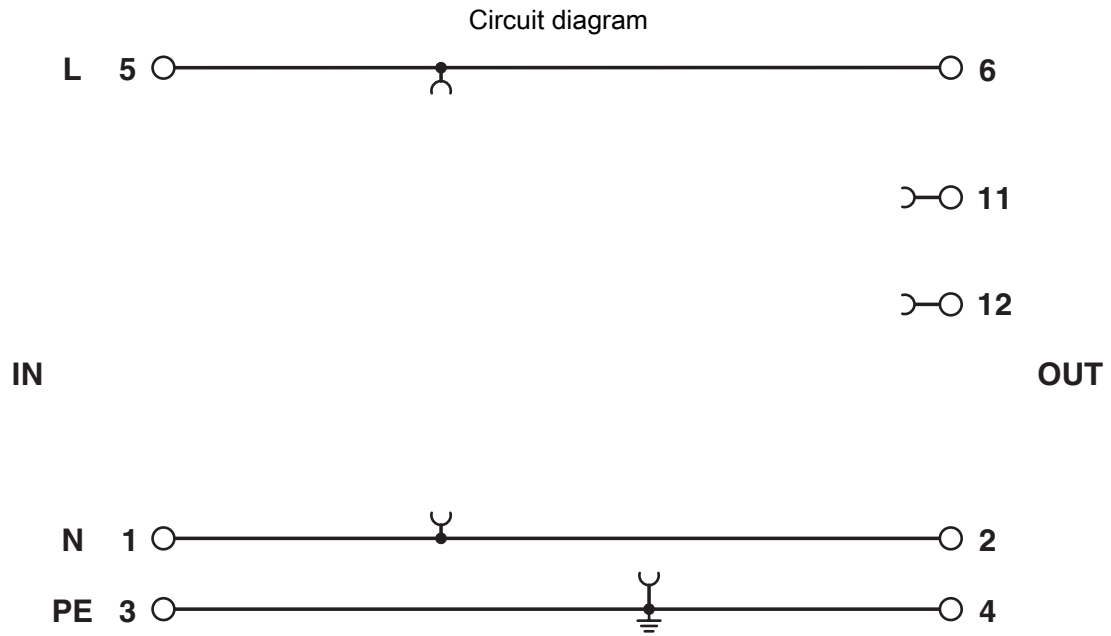
Nominal current depending on ambient temperature

PT-BE/FM - Type 3 surge protection base element



2839282

<https://www.phoenixcontact.com/us/products/2839282>



PT-BE/FM - Type 3 surge protection base element



2839282

<https://www.phoenixcontact.com/us/products/2839282>

Approvals

To download certificates, visit the product detail page: <https://www.phoenixcontact.com/us/products/2839282>



UL Recognized

Approval ID: FILE E 330181

PT-BE/FM - Type 3 surge protection base element



2839282

<https://www.phoenixcontact.com/us/products/2839282>

Classifications

ECLASS

ECLASS-13.0	27171501
ECLASS-15.0	27171501

ETIM

ETIM 10.0	EC001466
-----------	----------

UNSPSC

UNSPSC 21.0	39121600
-------------	----------

PT-BE/FM - Type 3 surge protection base element



2839282

<https://www.phoenixcontact.com/us/products/2839282>

Environmental product compliance

EU RoHS

Fulfills EU RoHS substance requirements	Yes, No exemptions
---	--------------------

China RoHS

Environment friendly use period (EFUP)	EFUP-E
	No hazardous substances above the limits

EU REACH SVHC

REACH candidate substance (CAS No.)	No substance above 0.1 wt%
-------------------------------------	----------------------------

Phoenix Contact 2026 © - all rights reserved
<https://www.phoenixcontact.com>

Phoenix Contact USA
586 Fulling Mill Road
Middletown, PA 17057, United States
(+717) 944-1300
info@phoenixcon.com