

CTM EST - Short-circuit connector

2838649

<https://www.phoenixcontact.com/us/products/2838649>

Please be informed that the data shown in this PDF document is generated from our online catalog. Please find the complete data in the user documentation. Our general terms of use for downloads are valid.



LSA-PLUS grounding plug (COMTRAB CTM) to short-circuit and ground potentials in CT-TERMIBLOCK... and disconnect strip CT 10...

Your advantages

- Space-saving due to compact design
- Flexible fields of application with modular protective plug
- Can be used in LSA-PLUS disconnect and control strips or CT-TERMIBLOCK via adapted connection technology

Commercial data

Item number	2838649
Packing unit	10 pc
Minimum order quantity	1 pc
Product key	CL321Z
GTIN	4017918907631
Weight per piece (including packing)	8.11 g
Weight per piece (excluding packing)	8 g
Country of origin	DE

CTM EST - Short-circuit connector

2838649

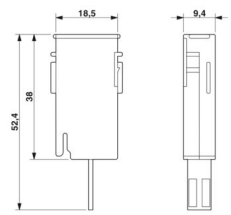
<https://www.phoenixcontact.com/us/products/2838649>

Technical data

Product properties

Product type	Ground plug
Product family	COMTRAB
Type	LSA-PLUS module
Number of positions	2

Dimensions

Dimensional drawing	
Width	9.5 mm
Height	21 mm
Depth	53.5 mm

Material specifications

Color	black (RAL 9005)
	copper color
Flammability rating according to UL 94	V-0
Housing material	PA

Mechanical properties

Mechanical data

Open side panel	No
-----------------	----

Protective circuit

Rated current	1.5 A (25 °C)
Total discharge current I_{Total} (8/20) μ s	10 kA
Total discharge current I_{Total} (10/350) μ s	2.5 kA

Environmental and real-life conditions

Ambient conditions

Degree of protection	IP20
	IP20
Ambient temperature (operation)	-25 °C ... 75 °C

Standards and regulations

Air clearances and creepage distances

CTM EST - Short-circuit connector



2838649

<https://www.phoenixcontact.com/us/products/2838649>

Standards/regulations	DIN VDE 0110-1 / IEC 60664-1
-----------------------	------------------------------

Mounting

Mounting type	On CT-TERMBLOCK and LSA-PLUS disconnect strip
---------------	---

CTM EST - Short-circuit connector

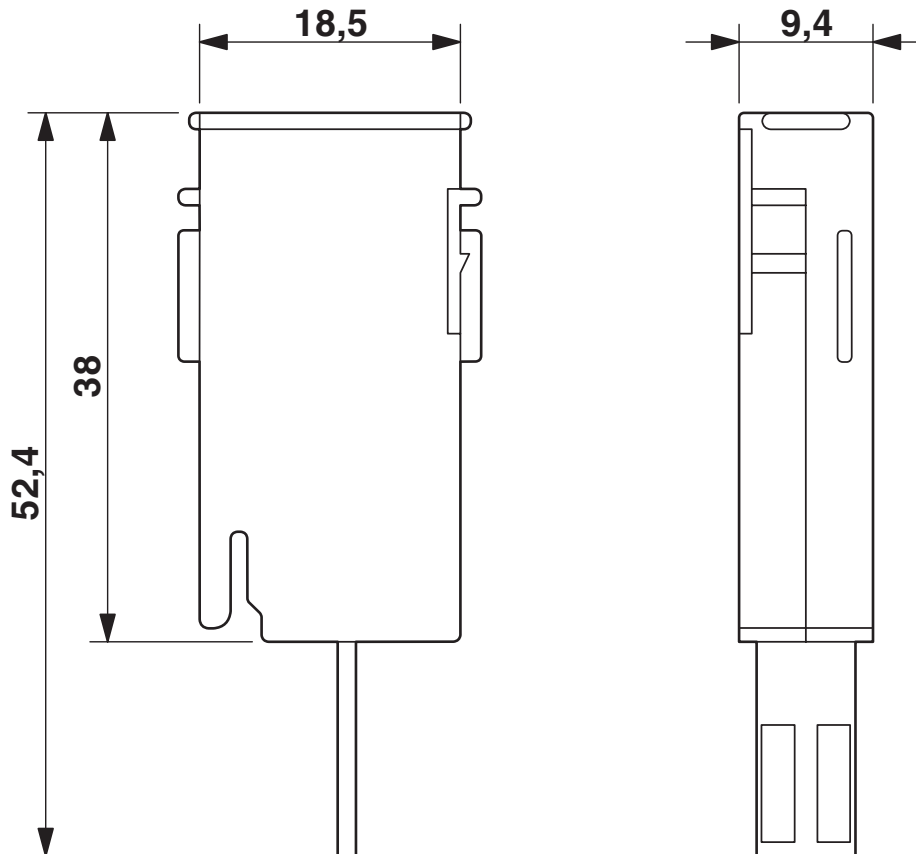


2838649

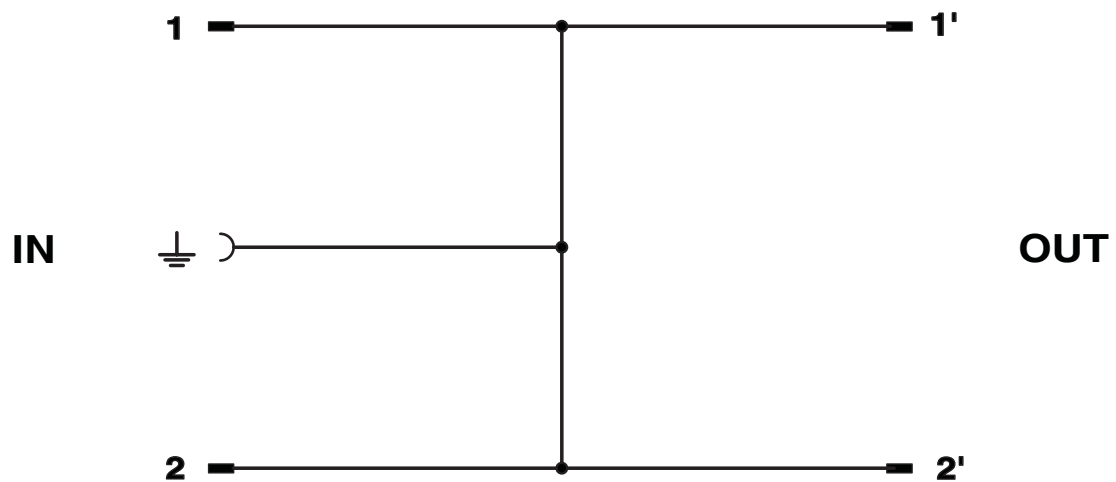
<https://www.phoenixcontact.com/us/products/2838649>

Drawings

Dimensional drawing



Circuit diagram



CTM EST - Short-circuit connector



2838649

<https://www.phoenixcontact.com/us/products/2838649>

Classifications

ECLASS

ECLASS-13.0	27171503
ECLASS-15.0	27171503

ETIM

ETIM 10.0	EC001466
-----------	----------

UNSPSC

UNSPSC 21.0	39121600
-------------	----------

CTM EST - Short-circuit connector



2838649

<https://www.phoenixcontact.com/us/products/2838649>

Environmental product compliance

EU RoHS

Fulfills EU RoHS substance requirements	Yes, No exemptions
---	--------------------

China RoHS

Environment friendly use period (EFUP)	EFUP-E
	No hazardous substances above the limits

EU REACH SVHC

REACH candidate substance (CAS No.)	No substance above 0.1 wt%
-------------------------------------	----------------------------

EF3.1 Climate Change

CO2e kg	1.368 kg CO2e
---------	---------------

Phoenix Contact 2026 © - all rights reserved
<https://www.phoenixcontact.com>

Phoenix Contact USA
586 Fulling Mill Road
Middletown, PA 17057, United States
(+717) 944-1300
info@phoenixcon.com