

CTM 2X1-180DC-GS-P - Surge protection plug



2838623

<https://www.phoenixcontact.com/us/products/2838623>

Please be informed that the data shown in this PDF document is generated from our online catalog. Please find the complete data in the user documentation. Our general terms of use for downloads are valid.



LSA-PLUS protective plug (COMTRAB CTM) with power cross and coarse surge protection for 2 signal lines. Nominal voltage: 180 V DC

Your advantages

- Space-saving due to compact design
- Flexible fields of application with modular protective plug
- Can be used in LSA-PLUS disconnect and control strips or CT-TERMIBLOCK via adapted connection technology

Commercial data

Item number	2838623
Packing unit	10 pc
Minimum order quantity	1 pc
Sales key	CL03
Product key	CL3211
GTIN	4017918948375
Weight per piece (including packing)	8.38 g
Weight per piece (excluding packing)	8.34 g
Customs tariff number	85363010
Country of origin	DE

CTM 2X1-180DC-GS-P - Surge protection plug



2838623

<https://www.phoenixcontact.com/us/products/2838623>

Technical data

Product properties

Product type	Surge protection for information technology
Product family	COMTRAB
IEC test classification	A2
	B1
	B2
	B3
	C1
	C2
	C3
	D1
	D2
	VDE requirement class
B1	
B2	
B3	
C1	
C2	
C3	
D1	
D2	
Type	LSA-PLUS module
Surge protection fault message	none
Arrester can be tested with CHECKMASTER from software version:	From SW rev. 2.20
Wire pairs per module	1

Insulation characteristics

Overvoltage category	II
Pollution degree	2

Electrical properties

Near-end crosstalk attenuation aN between adjacent articles	70 dB (up to 1 MHz 100 Ω system)
	50 dB (up to 10 MHz 100 Ω system)
	30 dB (up to 100 MHz, 100 Ω system)
Nominal voltage U_N	180 V DC

Connection data

Connection method	can be plugged into COMTRAB-TERMIBLOCK and LSA-PLUS disconnect and switching strips
-------------------	---

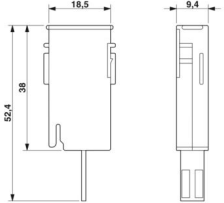
Dimensions

CTM 2X1-180DC-GS-P - Surge protection plug



2838623

<https://www.phoenixcontact.com/us/products/2838623>

Dimensional drawing	
Width	9.5 mm
Height	21 mm
Depth	53.5 mm

Material specifications

Color	black (RAL 9005) copper color
Flammability rating according to UL 94	V-0
Housing material	PA

Mechanical properties

Mechanical data

Open side panel	No
-----------------	----

Protective circuit

Direction of action	Line-Line & Line-Earth Ground
Nominal voltage U_N	180 V DC
Maximum continuous operating voltage U_C	± 180 V DC
Rated current	120 mA (25 °C)
Operating effective current I_C at U_C	≤ 2 μ A
Protective conductor current I_{PE}	≤ 2 μ A
Nominal discharge current I_n (8/20) μ s (line-ground)	5 kA
Pulse discharge current I_{imp} (10/350) μ s	1 kA
Total discharge current I_{Total} (8/20) μ s	10 kA
Total discharge current I_{Total} (10/350) μ s	2.5 kA
Max. discharge current I_{max} (8/20) μ s maximum (line-earth)	10 kA (in total)
Nominal pulse current I_{an} (10/1000) μ s (line-earth)	200 A
Output voltage limitation at 1 kV/ μ s (line-earth) spike	≤ 800 V
Output voltage limitation at 1 kV/ μ s (line-earth) static	≤ 800 V
Residual voltage at I_n (conductor-ground)	≤ 70 V
Residual voltage with I_{an} (10/1000) μ s (line-earth)	≤ 28 V
Voltage protection level U_p (line-earth)	≤ 900 V (C2 - 10 kV/5 kA, spike) ≤ 70 V (C2 - 10 kV/5 kA, static) ≤ 1 kV (C3 - 7.5 kV / 100 A, spike) ≤ 30 V (C3 - 7.5 kV / 100 A, static)
Response time t_A (line-earth)	≤ 100 ns 0.5 dB (≤ 10 MHz)

CTM 2X1-180DC-GS-P - Surge protection plug



2838623

<https://www.phoenixcontact.com/us/products/2838623>

Input attenuation aE, asym.	0.6 dB (up to 60 MHz in 100 Ω system)
	1 dB (up to 100 MHz, 100 Ω)
Cut-off frequency fg (3 dB), asym. (PE) in 100 Ω system	> 100 MHz
Capacity (Core-Earth)	5 pF (f=1 MHz / V _R = 0 V)
Resistance per path	5.5 Ω ±1.5 Ω (Symmetry:±0.5 Ω)
Surge protection fault message	none
Impulse durability (line-earth)	C2 - 4 kV / 2 kA
	C3 - 100 A
	B2 - 4 kV / 100 A
	D1 - 1 kA
Alternating current carrying capacity (line-earth)	5 A - 1 s

Environmental and real-life conditions

Ambient conditions

Degree of protection	IP20
Ambient temperature (operation)	-40 °C ... 85 °C

Standards and regulations

VDE requirement class	A2
	B1
	B2
	B3
	C1
	C2
	C3
	D1
	D2

Standards Information technology specification

Standards/regulations	IEC 61643-21
	IEC 61643-21

Air clearances and creepage distances

Standards/regulations	DIN VDE 0110-1 / IEC 60664-1
Standards/specifications	IEC 61643-21
Note	2002

Mounting

Mounting type	On CT-TERMIBLOCK and LSA-PLUS disconnect strip
---------------	--

CTM 2X1-180DC-GS-P - Surge protection plug

2838623

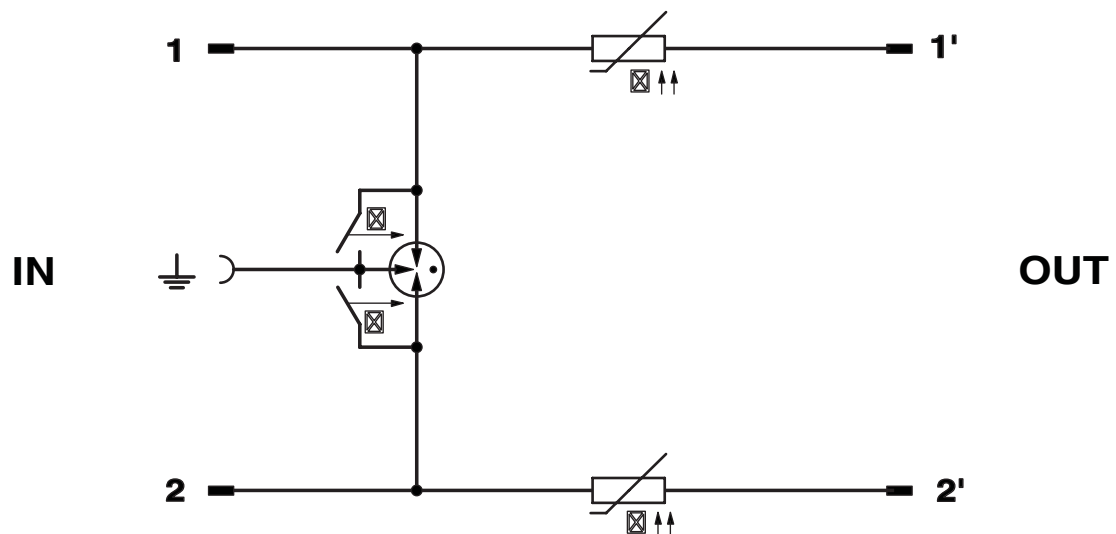
<https://www.phoenixcontact.com/us/products/2838623>

Drawings

Dimensional drawing



Circuit diagram



CTM 2X1-180DC-GS-P - Surge protection plug



2838623

<https://www.phoenixcontact.com/us/products/2838623>

Approvals

To download certificates, visit the product detail page: <https://www.phoenixcontact.com/us/products/2838623>



UL Listed

Approval ID: FILE E 138168

CTM 2X1-180DC-GS-P - Surge protection plug



2838623

<https://www.phoenixcontact.com/us/products/2838623>

Classifications

ECLASS

ECLASS-13.0	27171503
ECLASS-15.0	27171503

ETIM

ETIM 10.0	EC001466
-----------	----------

UNSPSC

UNSPSC 21.0	39121600
-------------	----------

CTM 2X1-180DC-GS-P - Surge protection plug



2838623

<https://www.phoenixcontact.com/us/products/2838623>

Environmental product compliance

EU RoHS

Fulfills EU RoHS substance requirements	Yes, No exemptions
---	--------------------

China RoHS

Environment friendly use period (EFUP)	EFUP-E
	No hazardous substances above the limits

EU REACH SVHC

REACH candidate substance (CAS No.)	No substance above 0.1 wt%
-------------------------------------	----------------------------

EF3.1 Climate Change

CO2e kg	2.376 kg CO2e
---------	---------------

Phoenix Contact 2026 © - all rights reserved
<https://www.phoenixcontact.com>

Phoenix Contact USA
586 Fulling Mill Road
Middletown, PA 17057, United States
(+717) 944-1300
info@phoenixcon.com