

CTM 2X1- 60DC - Surge protection plug

2838542

<https://www.phoenixcontact.com/us/products/2838542>

Please be informed that the data shown in this PDF document is generated from our online catalog. Please find the complete data in the user documentation. Our general terms of use for downloads are valid.



LSA-PLUS plug with protective circuit for 2-conductor signal circuits grounded on one side.
Nominal voltage: 60 V DC

Your advantages

- Space-saving due to compact design
- Flexible fields of application with modular protective plug
- Can be used in LSA-PLUS disconnect and control strips or CT-TERMILOCK via adapted connection technology

Commercial data

Item number	2838542
Packing unit	10 pc
Minimum order quantity	1 pc
Sales key	CL03
Product key	CL3211
GTIN	4017918819576
Weight per piece (including packing)	10.61 g
Weight per piece (excluding packing)	10.58 g
Customs tariff number	85363010
Country of origin	DE

CTM 2X1- 60DC - Surge protection plug

2838542

<https://www.phoenixcontact.com/us/products/2838542>

Technical data

Product properties

Product type	Surge protection for MCR technology
Product family	COMTRAB
IEC test classification	B2
	C1
	C2
	C3
	D1
Type	LSA-PLUS module
Surge protection fault message	none
Arrester can be tested with CHECKMASTER from software version:	From SW rev. 1.10

Insulation characteristics

Overvoltage category	II
Pollution degree	2

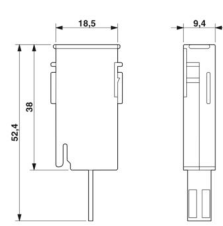
Electrical properties

Nominal voltage U_N	60 V DC
-----------------------	---------

Connection data

Connection method	can be plugged into COMTRAB-TERMIBLOCK and LSA-PLUS disconnect and switching strips
-------------------	---

Dimensions

Dimensional drawing	
Width	9.4 mm
Height	21 mm
Depth	52.4 mm

Material specifications

Color	black (RAL 9005)
	copper color
Flammability rating according to UL 94	V-0
Housing material	PA 6.6

Mechanical properties

CTM 2X1- 60DC - Surge protection plug



2838542

<https://www.phoenixcontact.com/us/products/2838542>

Mechanical data

Open side panel	No
-----------------	----

Protective circuit

Direction of action	Line-Line & Line-Earth Ground
Nominal voltage U_N	60 V DC
Maximum continuous operating voltage U_C	60 V DC 50 V AC
Rated current	380 mA AC (25 °C) 150 mA DC (25 °C)
Operating effective current I_C at U_C	≤ 70 μ A
Protective conductor current I_{PE}	≤ 2 μ A
Nominal discharge current I_n (8/20) μ s (line-ground)	5 kA
Pulse discharge current I_{imp} (10/350) μ s (line-earth)	1 kA
Total discharge current I_{Total} (8/20) μ s	10 kA
Total discharge current I_{Total} (10/350) μ s	2.5 kA
Nominal pulse current I_{an} (10/1000) μ s (line-earth)	100 A
Output voltage limitation at 1 kV/ μ s (line-earth) spike	≤ 160 V
Output voltage limitation at 1 kV/ μ s (line-earth) static	≤ 160 V
Residual voltage at I_n (conductor-ground)	≤ 95 V
Residual voltage with I_{an} (10/1000) μ s (line-earth)	≤ 16 V
Voltage protection level U_p (line-earth)	≤ 240 V (C2 - 10 kV / 5 kA) ≤ 150 V (C3 - 100 A)
Voltage protection level U_p static (line-earth)	≤ 85 V (C2 - 10 kV / 5 kA) ≤ 16 V (C3 - 100 A)
Response time t_A (line-earth)	≤ 1 ns
Input attenuation aE, asym.	typ. 0.3 dB (≤ 500 kHz / 100 Ω)
Cut-off frequency f_g (3 dB), asym. (PE) in 100 Ω system	typ. 2 MHz
Capacity (Core-Earth)	typ. 1 nF
Resistance per path	3.3 Ω 20 %
Surge protection fault message	none
Impulse durability (line-earth)	B2 - 4 kV / 100 A C2 - 10 kV / 5 kA C3 - 100 A D1 - 1 kA
Alternating current carrying capacity (line-earth)	5 A - 1 s

Environmental and real-life conditions

Ambient conditions

Degree of protection	IP20
Ambient temperature (operation)	-25 °C ... 75 °C
Altitude	≤ 2000 m (amsl)

CTM 2X1- 60DC - Surge protection plug



2838542

<https://www.phoenixcontact.com/us/products/2838542>

Standards and regulations

Standards/specifications	IEC 61643-21
Note	2000 + corrigendum 2001 + A1:2008, modified + A2:2012
Standards/specifications	EN 61643-21
Note	2001 + A1:2009 + A2:2013

Mounting

Mounting type	On CT-TERMILOCK and LSA-PLUS disconnect strip
---------------	---

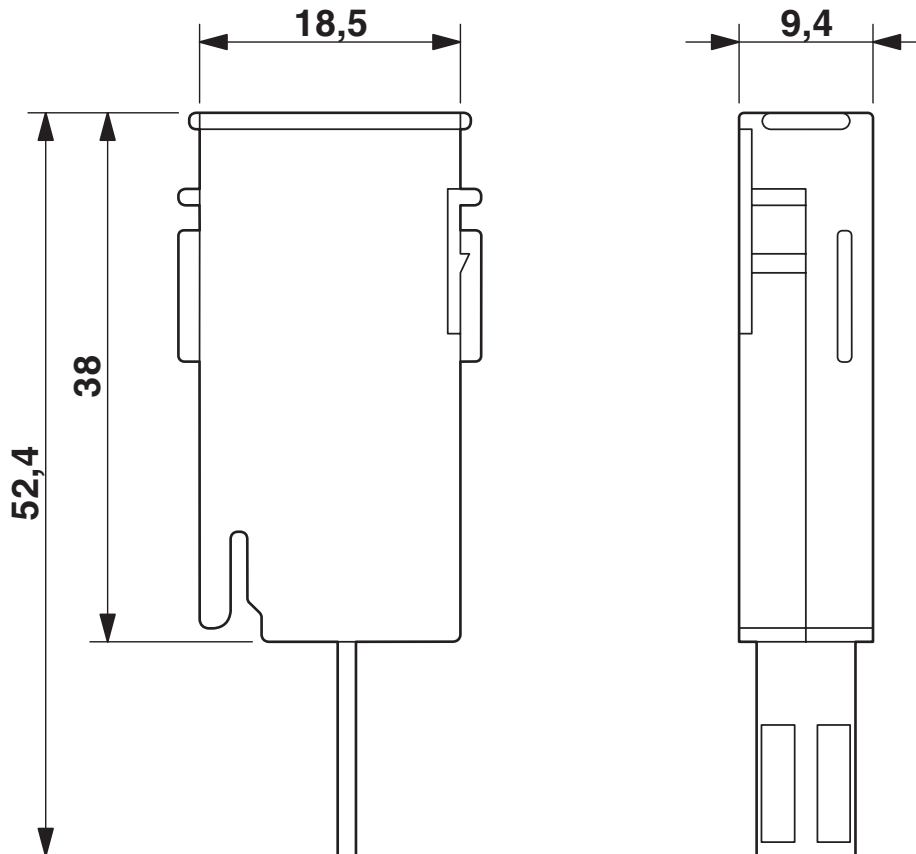
CTM 2X1- 60DC - Surge protection plug

2838542

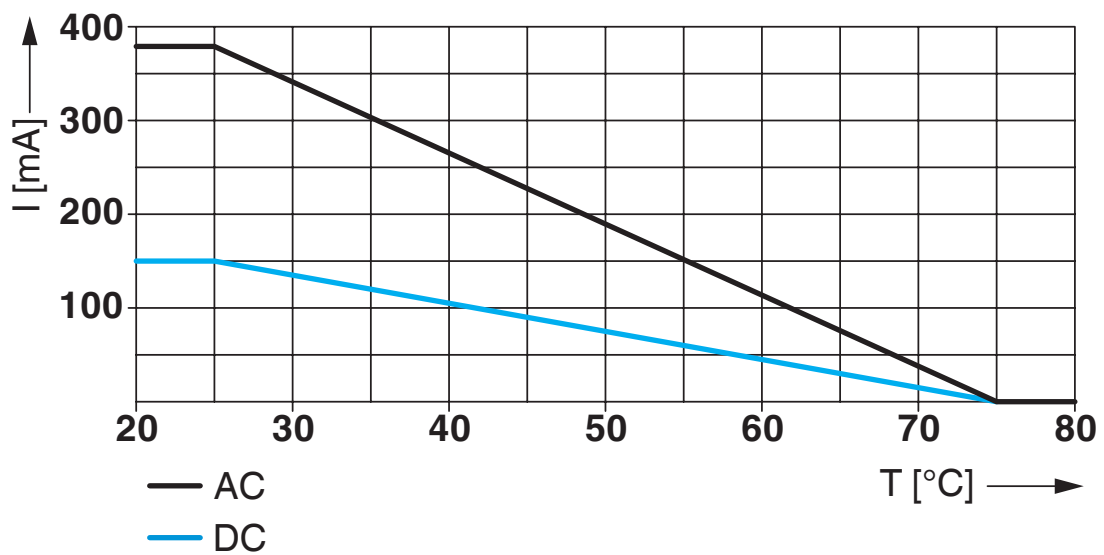
<https://www.phoenixcontact.com/us/products/2838542>

Drawings

Dimensional drawing



Diagram



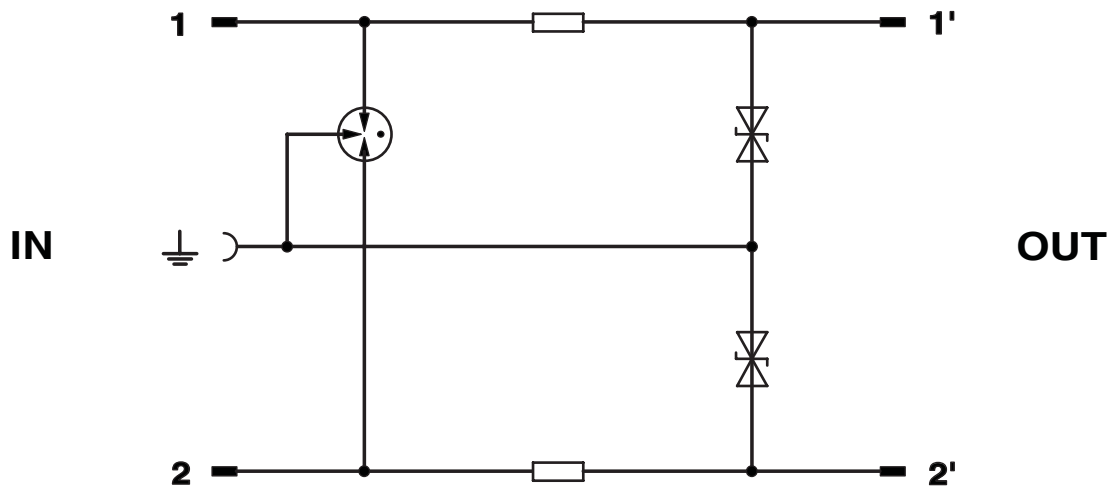
CTM 2X1- 60DC - Surge protection plug

2838542

<https://www.phoenixcontact.com/us/products/2838542>



Circuit diagram



CTM 2X1- 60DC - Surge protection plug



2838542

<https://www.phoenixcontact.com/us/products/2838542>

Approvals

To download certificates, visit the product detail page: <https://www.phoenixcontact.com/us/products/2838542>



UL Listed

Approval ID: FILE E 138168

CTM 2X1- 60DC - Surge protection plug



2838542

<https://www.phoenixcontact.com/us/products/2838542>

Classifications

ECLASS

ECLASS-13.0	27171501
ECLASS-15.0	27171501

ETIM

ETIM 10.0	EC001466
-----------	----------

UNSPSC

UNSPSC 21.0	39121600
-------------	----------

CTM 2X1- 60DC - Surge protection plug



2838542

<https://www.phoenixcontact.com/us/products/2838542>

Environmental product compliance

EU RoHS

Fulfills EU RoHS substance requirements	Yes
Exemption	7(c)-I

China RoHS

Environment friendly use period (EFUP)	EFUP-50
	An article-related China RoHS declaration table can be found in the download area for the respective article under "Manufacturer declaration". For all articles with EFUP-E, no China RoHS declaration table issued and required.

EU REACH SVHC

REACH candidate substance (CAS No.)	No substance above 0.1 wt%
-------------------------------------	----------------------------

EF3.1 Climate Change

CO2e kg	1.832 kg CO2e
---------	---------------

Phoenix Contact 2026 © - all rights reserved
<https://www.phoenixcontact.com>

Phoenix Contact USA
586 Fulling Mill Road
Middletown, PA 17057, United States
(+717) 944-1300
info@phoenixcon.com