

CTM 2X1-110AC - Surge protection plug



2838526

<https://www.phoenixcontact.com/us/products/2838526>

Please be informed that the data shown in this PDF document is generated from our online catalog. Please find the complete data in the user documentation. Our general terms of use for downloads are valid.



LSA-PLUS plug (COMTRAB CTM) with protective circuit for 2-conductor signal circuits grounded on one side. Nominal voltage: 110 V AC

Your advantages

- Space-saving due to compact design
- Flexible fields of application with modular protective plug
- Can be used in LSA-PLUS disconnect and control strips or CT-TERMIBLOCK via adapted connection technology

Commercial data

Item number	2838526
Packing unit	10 pc
Minimum order quantity	1 pc
Sales key	CL03
Product key	CL3211
GTIN	4017918819552
Weight per piece (including packing)	10.3 g
Weight per piece (excluding packing)	10.3 g
Customs tariff number	85363010
Country of origin	DE

CTM 2X1-110AC - Surge protection plug

2838526

<https://www.phoenixcontact.com/us/products/2838526>

Technical data

Product properties

Product type	Surge protection for MCR technology
Product family	COMTRAB
IEC test classification	B2
	C1
	C2
	C3
	D1
Type	LSA-PLUS module
Surge protection fault message	none
Arrester can be tested with CHECKMASTER from software version:	From SW rev. 1.10

Insulation characteristics

Overvoltage category	II
Pollution degree	2

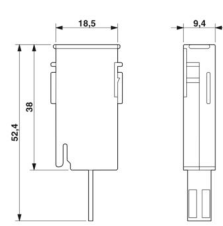
Electrical properties

Nominal voltage U_N	110 V AC
-----------------------	----------

Connection data

Connection method	can be plugged into COMTRAB-TERMIBLOCK and LSA-PLUS disconnect and switching strips
-------------------	---

Dimensions

Dimensional drawing	
Width	9.4 mm
Height	21 mm
Depth	52.4 mm

Material specifications

Color	black (RAL 9005)
	copper color
Flammability rating according to UL 94	V-0
Housing material	PA 6.6

Mechanical properties

CTM 2X1-110AC - Surge protection plug



2838526

<https://www.phoenixcontact.com/us/products/2838526>

Mechanical data

Open side panel	No
-----------------	----

Protective circuit

Direction of action	Line-Line & Line-Earth Ground
Nominal voltage U_N	110 V AC
Maximum continuous operating voltage U_C	60 V DC
	125 V AC
Rated current	380 mA AC (25 °C)
	150 mA DC (25 °C)
Operating effective current I_C at U_C	$\leq 5 \mu\text{A}$ (per path)
Protective conductor current I_{PE}	$\leq 5 \mu\text{A}$ (per path)
Nominal discharge current I_n (8/20) μs (line-ground)	5 kA
Pulse discharge current I_{imp} (10/350) μs (line-earth)	1 kA
Total discharge current I_{Total} (8/20) μs	10 kA
Total discharge current I_{Total} (10/350) μs	2.5 kA
Nominal pulse current I_{an} (10/1000) μs (line-earth)	100 A
Output voltage limitation at 1 kV/ μs (line-earth) spike	$\leq 260 \text{ V}$
Output voltage limitation at 1 kV/ μs (line-earth) static	$\leq 15 \text{ V}$
Residual voltage at I_n (conductor-ground)	$\leq 10 \text{ V}$
Residual voltage with I_{an} (10/1000) μs (line-earth)	$\leq 10 \text{ V}$
Voltage protection level U_p (line-earth)	$\leq 260 \text{ V}$ (C2 - 10 kV / 5 kA)
	$\leq 260 \text{ V}$ (C3 - 100 A)
Voltage protection level U_p static (line-earth)	$\leq 10 \text{ V}$ (C2 - 10 kV / 5 kA)
	$\leq 10 \text{ V}$ (C3 - 100 A)
Response time t_A (line-earth)	$\leq 1 \text{ ns}$
Input attenuation aE, asym.	typ. 0.3 dB ($\leq 3 \text{ MHz}$ / 100 Ω)
Cut-off frequency f_g (3 dB), asym. (PE) in 100 Ω system	typ. 20 MHz
Capacity (Core-Earth)	typ. 100 pF
Resistance per path	3.3 Ω 20 %
Surge protection fault message	none
Max. required back-up fuse	150 mA (T/IEC 60127-2/3)
Impulse durability (line-earth)	B2 - 4 kV / 100 A
	C2 - 10 kV / 5 kA
	C3 - 100 A
	D1 - 1 kA
Alternating current carrying capacity (line-earth)	5 A - 1 s

Environmental and real-life conditions

Ambient conditions

Degree of protection	IP20
Ambient temperature (operation)	-25 °C ... 75 °C
Altitude	$\leq 2000 \text{ m}$ (amsl)

CTM 2X1-110AC - Surge protection plug



2838526

<https://www.phoenixcontact.com/us/products/2838526>

Standards and regulations

Standards/specifications	IEC 61643-21
Note	2000 + corrigendum 2001 + A1:2008, modified + A2:2012
Standards/specifications	EN 61643-21
Note	2001 + A1:2009 + A2:2013

Mounting

Mounting type	On CT-TERMIBLOCK and LSA-PLUS disconnect strip
---------------	--

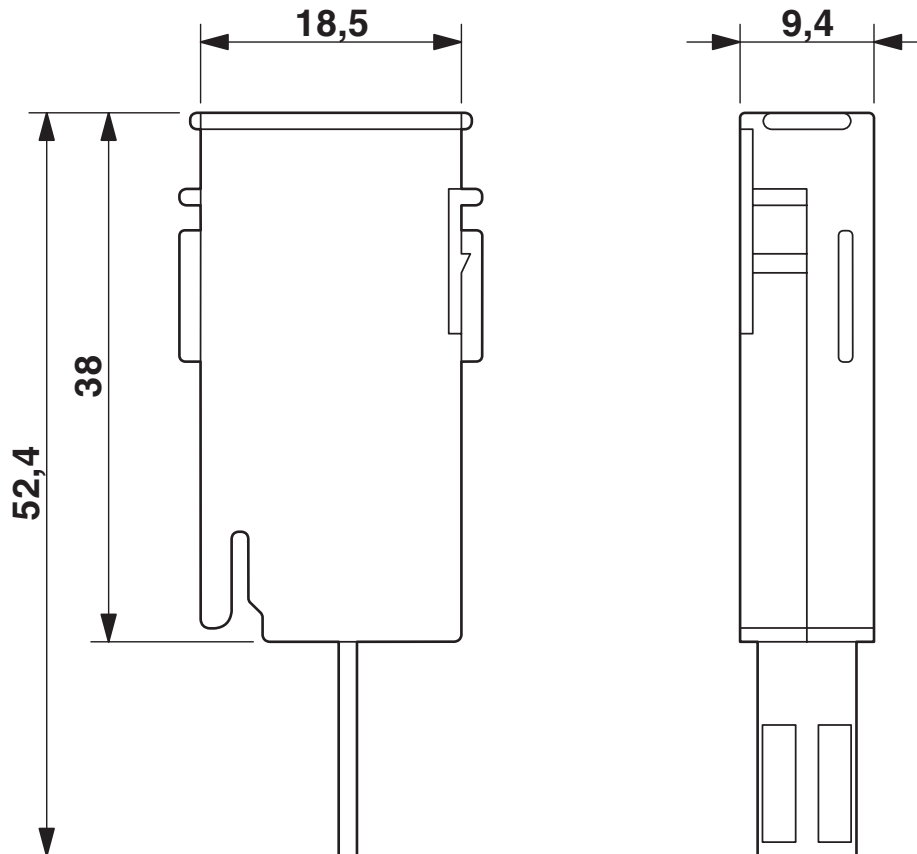
CTM 2X1-110AC - Surge protection plug

2838526

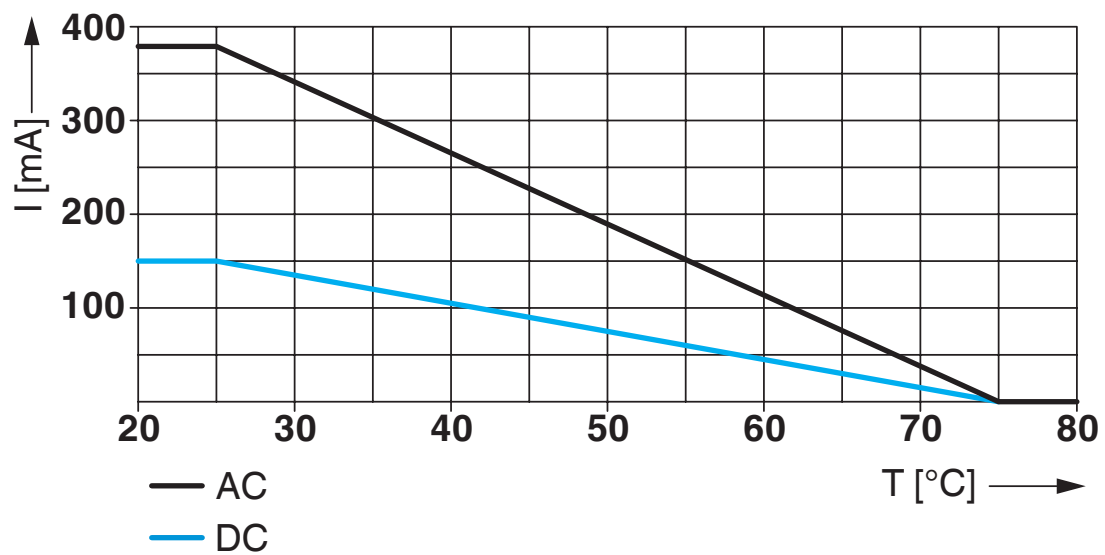
<https://www.phoenixcontact.com/us/products/2838526>

Drawings

Dimensional drawing



Diagram



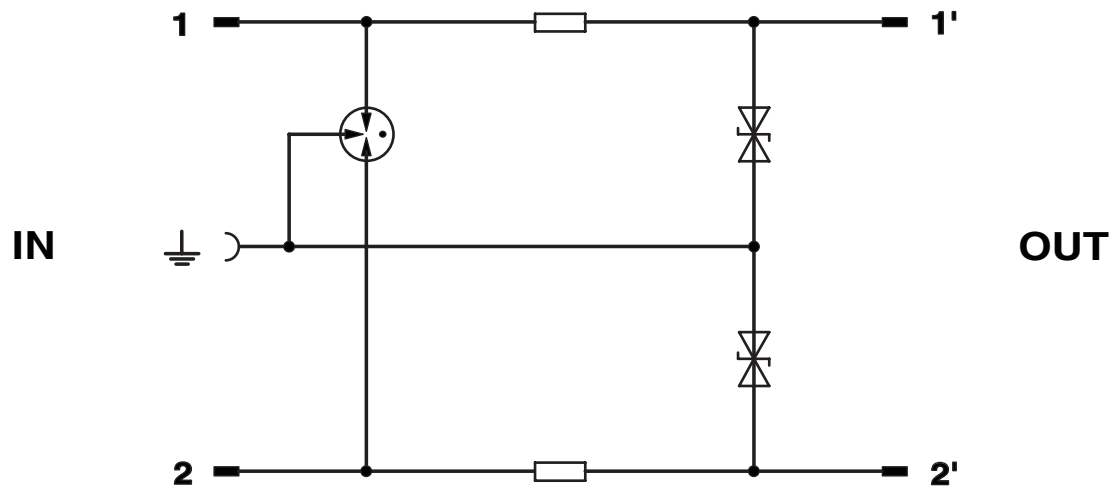
CTM 2X1-110AC - Surge protection plug

2838526

<https://www.phoenixcontact.com/us/products/2838526>



Circuit diagram



CTM 2X1-110AC - Surge protection plug



2838526

<https://www.phoenixcontact.com/us/products/2838526>

Approvals

To download certificates, visit the product detail page: <https://www.phoenixcontact.com/us/products/2838526>



UL Listed

Approval ID: FILE E 138168

CTM 2X1-110AC - Surge protection plug



2838526

<https://www.phoenixcontact.com/us/products/2838526>

Classifications

ECLASS

ECLASS-13.0	27171501
ECLASS-15.0	27171501

ETIM

ETIM 10.0	EC001466
-----------	----------

UNSPSC

UNSPSC 21.0	39121600
-------------	----------

CTM 2X1-110AC - Surge protection plug



2838526

<https://www.phoenixcontact.com/us/products/2838526>

Environmental product compliance

EU RoHS

Fulfills EU RoHS substance requirements	Yes
Exemption	7(a), 7(c)-I

China RoHS

Environment friendly use period (EFUP)	EFUP-50
	An article-related China RoHS declaration table can be found in the download area for the respective article under "Manufacturer declaration". For all articles with EFUP-E, no China RoHS declaration table issued and required.

EU REACH SVHC

REACH candidate substance (CAS No.)	Lead(CAS: 7439-92-1)
SCIP	9529ceaf-f541-4bb0-ab91-7e819aa8a20c

EF3.1 Climate Change

CO2e kg	1.988 kg CO2e
---------	---------------

Phoenix Contact 2026 © - all rights reserved
<https://www.phoenixcontact.com>

Phoenix Contact USA
586 Fulling Mill Road
Middletown, PA 17057, United States
(+717) 944-1300
info@phoenixcon.com