

# PI-MB/16/D-SUB/S1 - Basic terminal block

2837459

<https://www.phoenixcontact.com/us/products/2837459>

Please be informed that the data shown in this PDF document is generated from our online catalog. Please find the complete data in the user documentation. Our general terms of use for downloads are valid.



Motherboard, for accommodating 16 PI/Ex-... process interface modules, for assembly on NS 35/7.5 or NS 32

## Commercial data

Item number	2837459
Packing unit	1 pc
Minimum order quantity	1 pc
Product key	DK1XXX
GTIN	4017918584917
Weight per piece (including packing)	823.7 g
Weight per piece (excluding packing)	823.7 g
Country of origin	DE

# PI-MB/16/D-SUB/S1 - Basic terminal block



2837459

<https://www.phoenixcontact.com/us/products/2837459>

## Technical data

### Product properties

Product type	Module carrier
Application	Base element

### Electrical properties

Nominal voltage $U_N$	20 V DC ... 35 V DC (See nominal voltage, PI modules)
Reverse polarity protection	yes

### Supply

Redundant supply	yes, decoupled from diodes
------------------	----------------------------

### Connection data

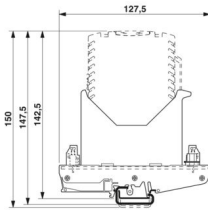
#### Controller level

Connection method	D-SUB pin strip
Number of connections	1
Number of positions	37

#### Field level

Connection method	Screw connection
Stripping length	8 mm
Conductor cross-section rigid	0.2 mm <sup>2</sup> ... 4 mm <sup>2</sup>
Conductor cross-section flexible	0.2 mm <sup>2</sup> ... 2.5 mm <sup>2</sup>
Conductor cross-section AWG	24 ... 12
Tightening torque	0.5 Nm ... 0.6 Nm

### Dimensions

Dimensional drawing	
Width	224 mm
Height	127.5 mm
Depth	92 mm
Depth NS 35/7,5	142.5 mm (with NS 35/7.5 coupling connector)
Depth NS 32	147.5 mm (with NS 32 coupling connector)
Depth NS 35/15	150 mm (with NS 35/15 coupling connector)

### Material specifications

Color	green (RAL 6021)
-------	------------------

# PI-MB/16/D-SUB/S1 - Basic terminal block



2837459

<https://www.phoenixcontact.com/us/products/2837459>

Flammability rating according to UL 94	V0
Housing insulation material	Polyamide PA non-reinforced, polycarbonate PC

## Environmental and real-life conditions

### Ambient conditions

Ambient temperature (operation)	-20 °C ... 60 °C
Ambient temperature (storage/transport)	-40 °C ... 75 °C

## Approvals

### CE

Certificate	CE-compliant
-------------	--------------

## Mounting

Mounting type	DIN rail mounting
---------------	-------------------

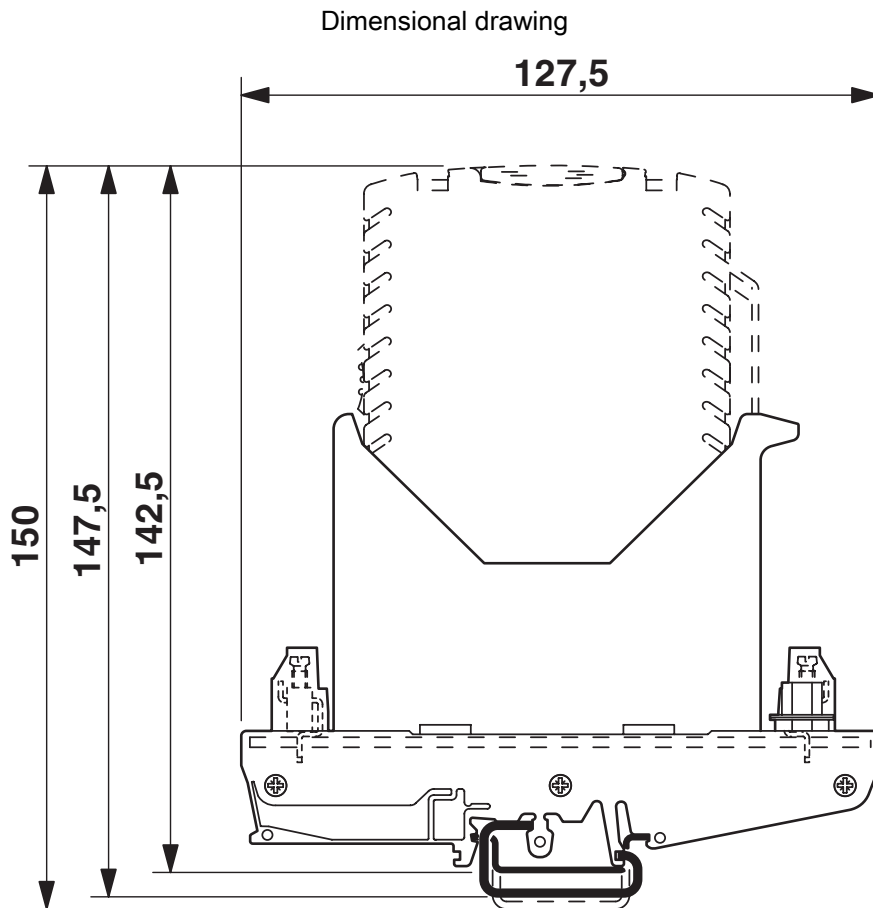
# PI-MB/16/D-SUB/S1 - Basic terminal block



2837459

<https://www.phoenixcontact.com/us/products/2837459>

## Drawings



# PI-MB/16/D-SUB/S1 - Basic terminal block



2837459

<https://www.phoenixcontact.com/us/products/2837459>

## Classifications

### UNSPSC

UNSPSC 21.0	39121400
-------------	----------

# PI-MB/16/D-SUB/S1 - Basic terminal block



2837459

<https://www.phoenixcontact.com/us/products/2837459>

## Environmental product compliance

### China RoHS

Environment friendly use period (EFUP)	EFUP-50
	An article-related China RoHS declaration table can be found in the download area for the respective article under "Manufacturer declaration". For all articles with EFUP-E, no China RoHS declaration table issued and required.

### EU REACH SVHC

REACH candidate substance (CAS No.)	No substance above 0.1 wt%
-------------------------------------	----------------------------

Phoenix Contact 2026 © - all rights reserved  
<https://www.phoenixcontact.com>

Phoenix Contact USA  
586 Fulling Mill Road  
Middletown, PA 17057, United States  
(+717) 944-1300  
[info@phoenixcon.com](mailto:info@phoenixcon.com)