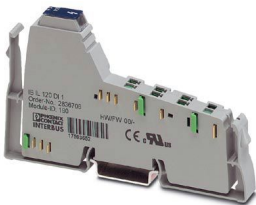


IB IL 120 DI 1 - Inline terminal

2836706

<https://www.phoenixcontact.com/us/products/2836706>

Please be informed that the data shown in this PDF document is generated from our online catalog. Please find the complete data in the user documentation. Our general terms of use for downloads are valid.



Inline, Digital input terminal, Digital inputs: 1, connection technology: 2-, 3-conductor, degree of protection: IP20

Product description

The terminal is designed for use within an Inline station. It is used to acquire digital signals.

Commercial data

Item number	2836706
Packing unit	1 pc
Note	Made to order (non-returnable)
Sales key	NULL
Product key	DRI131
GTIN	4017918160425
Weight per piece (including packing)	61.3 g
Weight per piece (excluding packing)	46.39 g
Customs tariff number	85389091
Country of origin	DE

IB IL 120 DI 1 - Inline terminal



2836706

<https://www.phoenixcontact.com/us/products/2836706>

Technical data

Product properties

Type	modular
No. of channels	1

System properties

Programming data

Length code (hex)	C2
ID code (dec.)	190
Length code (dec)	194
Process data channel	2 bit
Input address area	2 bit
Output address area	0 Byte
Parameter channel (PCP)	0 Byte
Register length (bus)	2 bit

Fieldbus data telegram

Required parameter data	1 Byte
-------------------------	--------

Electrical properties

Potentials: Communications power (U_L)

Supply voltage	7.5 V DC (via voltage jumper)
Current draw	max. 30 mA

Potentials

Supply voltage	120 V AC
Current draw	max. 0.25 A

Potentials: I/O supply

Supply voltage	120 V AC (via voltage jumper)
Current draw	0.25 A

Supply: Module electronics

Supply voltage	120 V AC (via voltage jumper)
Supply voltage range	108 V AC ... 135 V AC

Electrical isolation/isolation of the voltage ranges

Test voltage: 5 V supply, incoming remote bus/7.5 V supply (bus logics)	500 V AC, 50 Hz, 1 min
Test voltage: 5 V supply, outgoing remote bus/7.5 V supply (bus logics)	500 V AC, 50 Hz, 1 min
Test voltage: 7.5 V supply (bus logics) / I/O area	2500 V AC, 50 Hz, 1 min
Test voltage: Routine test	1200 V AC, 50 Hz, 1 min

IB IL 120 DI 1 - Inline terminal

2836706

<https://www.phoenixcontact.com/us/products/2836706>

Input data

Digital:

Input name	Digital inputs
Description of the input	IEC 61131-2 type 1
Number of inputs	1
Connection method	Spring-cage connection
Connection technology	2-, 3-conductor
Input voltage	120 V AC
Input voltage range "0" signal	0 V AC ... 40 V AC
Input voltage range "1" signal	77 V AC ... 135 V AC

Connection data

Inline connector

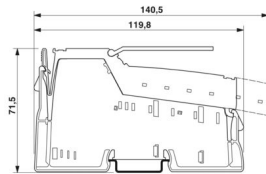
Connection method	Spring-cage connection
Conductor cross-section, rigid	0.08 mm ² ... 1.5 mm ²
Conductor cross-section, flexible	0.08 mm ² ... 1.5 mm ²
Conductor cross-section AWG	28 ... 16

Interfaces

Inline local bus

Connection method	Inline data jumper
-------------------	--------------------

Dimensions

Dimensional drawing	
Width	12.2 mm
Height	119.8 mm
Depth	71.5 mm

Environmental and real-life conditions

Ambient conditions

Ambient temperature (operation)	-25 °C ... 55 °C
Degree of protection	IP20
Air pressure (operation)	80 kPa ... 160 kPa (up to 2000 m above sea level)
Air pressure (storage/transport)	70 kPa ... 106 kPa (up to 3000 m above sea level)
Ambient temperature (storage/transport)	-25 °C ... 85 °C

IB IL 120 DI 1 - Inline terminal



2836706

<https://www.phoenixcontact.com/us/products/2836706>

Permissible humidity (operation)	75 % ... 85 % (in the range of -25°C ... +55°C, appropriate measures against increased humidity (> 85%) must be taken.)
Permissible humidity (storage/transport)	75 % ... 85 % (slight temporary condensation may sometimes appear on the housing)

Standards and regulations

Protection class	I (IEC 61140, EN 61140, VDE 0140-1)
------------------	-------------------------------------

Mounting

Mounting type	DIN rail mounting
---------------	-------------------

IB IL 120 DI 1 - Inline terminal

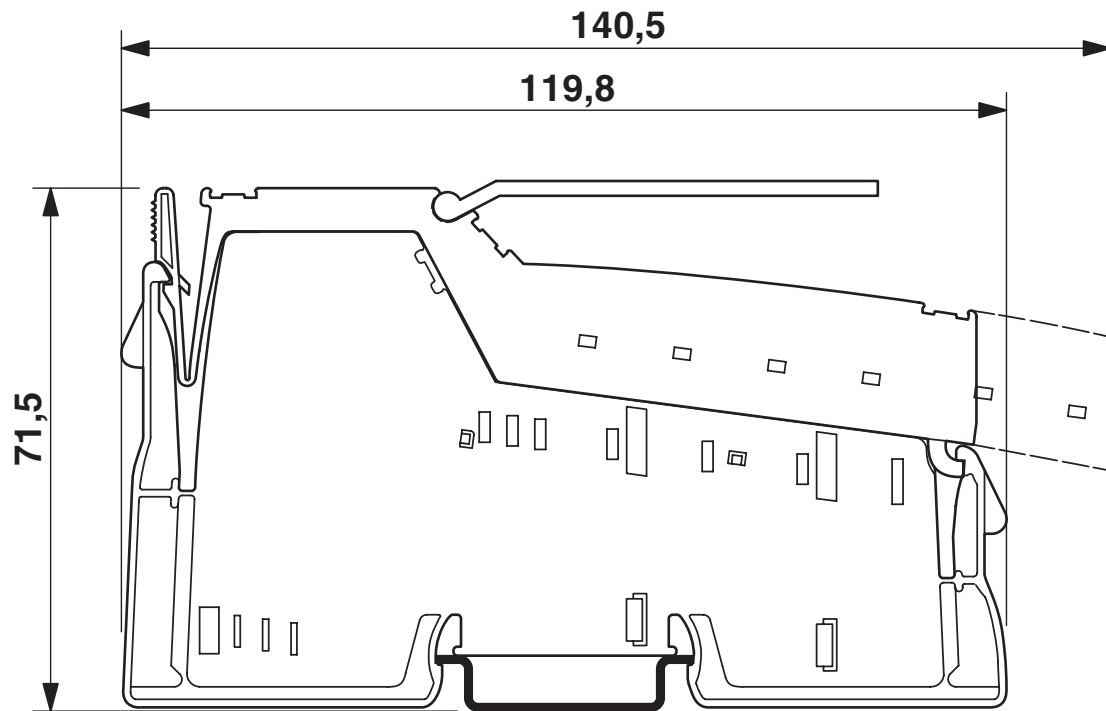
2836706

<https://www.phoenixcontact.com/us/products/2836706>



Drawings

Dimensional drawing



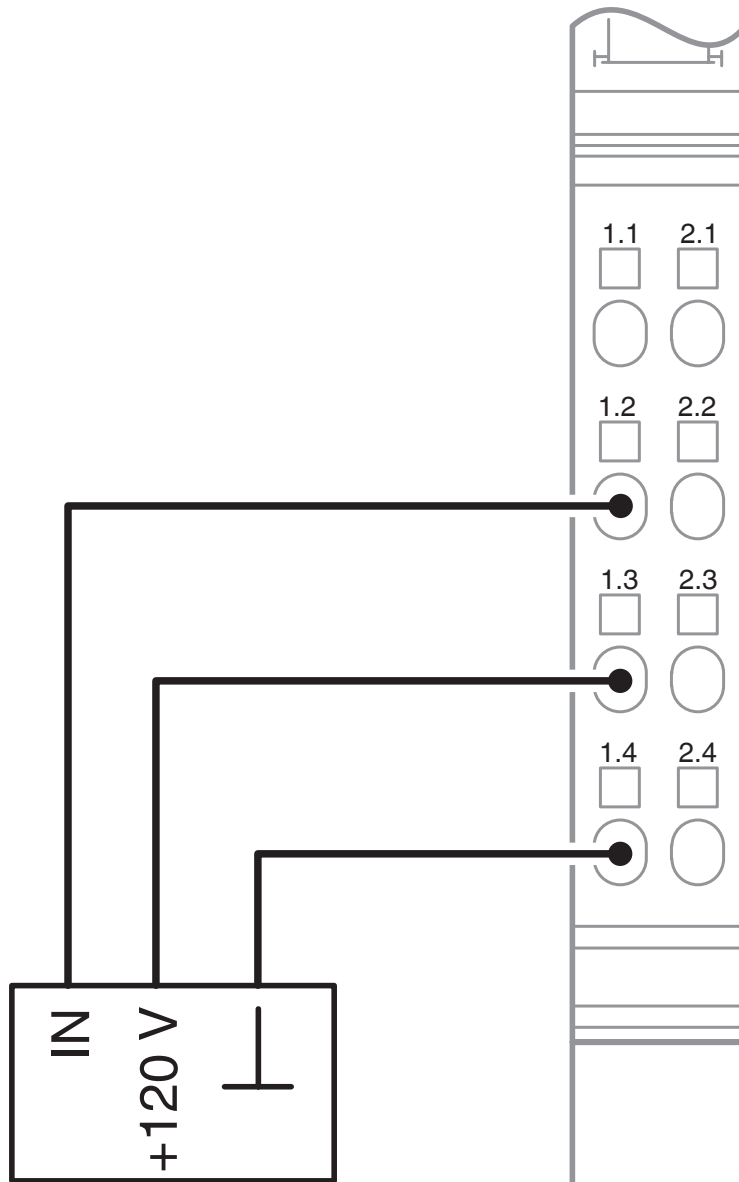
IB IL 120 DI 1 - Inline terminal

2836706

<https://www.phoenixcontact.com/us/products/2836706>



Connection diagram



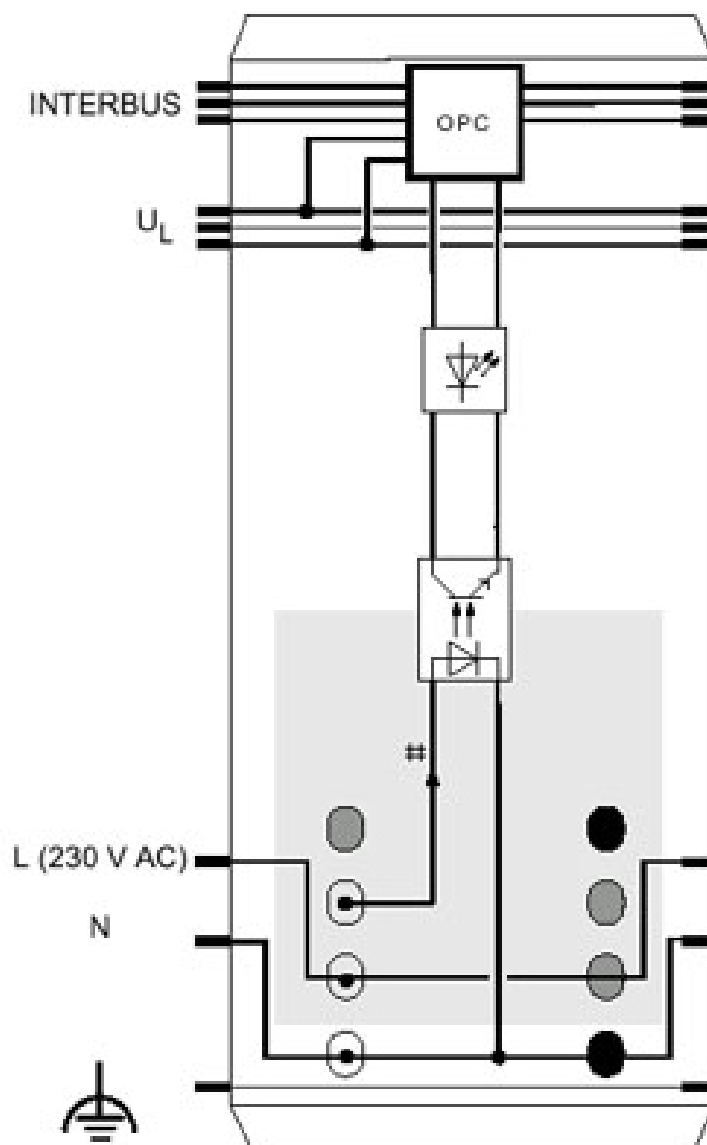
IB IL 120 DI 1 - Inline terminal

2836706

<https://www.phoenixcontact.com/us/products/2836706>



Block diagram



IB IL 120 DI 1 - Inline terminal



2836706

<https://www.phoenixcontact.com/us/products/2836706>

Environmental product compliance

EU REACH SVHC

REACH candidate substance (CAS No.)	No substance above 0.1 wt%
-------------------------------------	----------------------------

Phoenix Contact 2026 © - all rights reserved

<https://www.phoenixcontact.com>

Phoenix Contact USA
586 Fulling Mill Road
Middletown, PA 17057, United States
(+717) 944-1300
info@phoenixcon.com