

IB IL 24 PWR IN/F-D - Inline terminal

2836667

<https://www.phoenixcontact.com/us/products/2836667>

Please be informed that the data shown in this PDF document is generated from our online catalog. Please find the complete data in the user documentation. Our general terms of use for downloads are valid.

Inline power terminal block, without accessories, 24 V DC, with fuse (Main voltage) and diagnostics



The figure shows version IB IL 24 PWR
IN/F

Product description

The terminal is designed for use within an Inline station. It enables the 24 V supply voltage to be fed into the main circuit (U_M). In addition, this terminal can be used to supply power for a 24 V segment circuit (U_S). The terminal has protection against polarity reversal and surge voltage. The internal fuse protects the main circuit. The terminal has an LED for bus diagnostics and occupies two input data bits, which are used to indicate the presence of the supply voltage and the state of the fuse.

Commercial data

Item number	2836667
Packing unit	1 pc
Note	Made to order (non-returnable)
Sales key	NULL
Product key	DRI121
GTIN	4017918160388
Weight per piece (including packing)	67.8 g
Weight per piece (excluding packing)	53.49 g
Customs tariff number	85389091
Country of origin	DE

Technical data

Product properties

Type	modular
	Inline
Number of plugs	1

System properties

Programming data

Length code (hex)	C2
ID code (dec.)	190
Length code (dec)	194
Process data channel	2 bit
Input address area	2 bit
Output address area	0 Byte
Parameter channel (PCP)	0 Byte
Register length (bus)	2 bit

Fieldbus data telegram

Required parameter data	1 Byte
-------------------------	--------

Electrical properties

Test section	5 V supply, incoming remote bus/7.5 V supply (bus logics) 500 V AC 50 Hz 1 min
	5 V supply, outgoing remote bus/7.5 V supply (bus logics) 500 V AC 50 Hz 1 min
	7.5 V supply (bus logics)/24 V supply (I/O) 500 V AC 50 Hz 1 min
	24 V supply (I/O) / functional ground 500 V AC 50 Hz 1 min
Protective circuit	Polarity protection, surge protection
	Overload protection; Fuse
Fuse	SI 5 x 20 6, 300 AT (in scope of delivery)

Supply

Communications power U_L	via voltage jumper
I/O voltage range	19.2 V DC ... 30 V DC (including all tolerances, including ripple)
Residual ripple	±5 %
Max. current consumption	4 A
Typical current consumption	30 mA

Potentials: Communications power (U_L)

Supply voltage	7.5 V DC (via voltage jumper)
Current draw	max. 25 mA DC

Potentials: Main circuit supply (U_M)

Supply voltage	24 V DC (via Inline connector)
----------------	--------------------------------

IB IL 24 PWR IN/F-D - Inline terminal

2836667

<https://www.phoenixcontact.com/us/products/2836667>

Supply voltage range	19.2 V ... 30 V (including all tolerances, including ripple)
Power supply	max. 4 A (sum of $U_M + U_S$)

Potentials: Segment circuit supply (U_S)

Supply voltage	24 V DC (via Inline connector)
Supply voltage range	19.2 V DC ... 30 V DC (including all tolerances, including ripple)
Power supply	max. 4 A (sum of $U_M + U_S$)

Connection data

Conductor cross-section, rigid	0.08 mm ² ... 1.5 mm ²
Conductor cross-section, flexible	0.08 mm ² ... 1.5 mm ²
Conductor cross-section AWG	28 ... 16

Interfaces

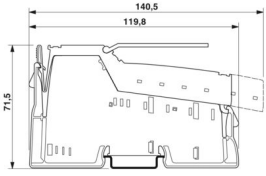
Supply voltage

Connection method	8-pos. Inline power connector
-------------------	-------------------------------

Inline local bus

Connection method	Inline data jumper
-------------------	--------------------

Dimensions

Dimensional drawing	
Width	12.2 mm
Height	119.8 mm
Depth	71.5 mm

Environmental and real-life conditions

Ambient conditions

Degree of protection	IP20
Ambient temperature (operation)	-25 °C ... 55 °C
Ambient temperature (storage/transport)	-25 °C ... 85 °C
Permissible humidity (operation)	75 % ... 85 %
Permissible humidity (storage/transport)	75 % ... 85 %

Mounting

Mounting type	DIN rail mounting
---------------	-------------------

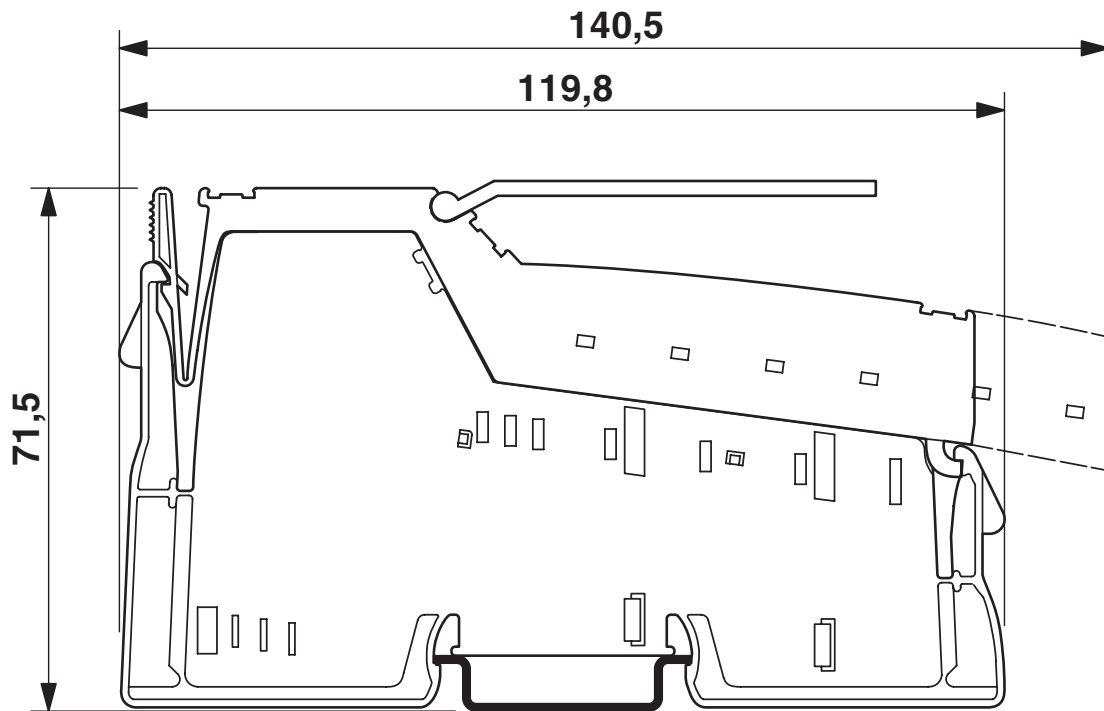
IB IL 24 PWR IN/F-D - Inline terminal

2836667

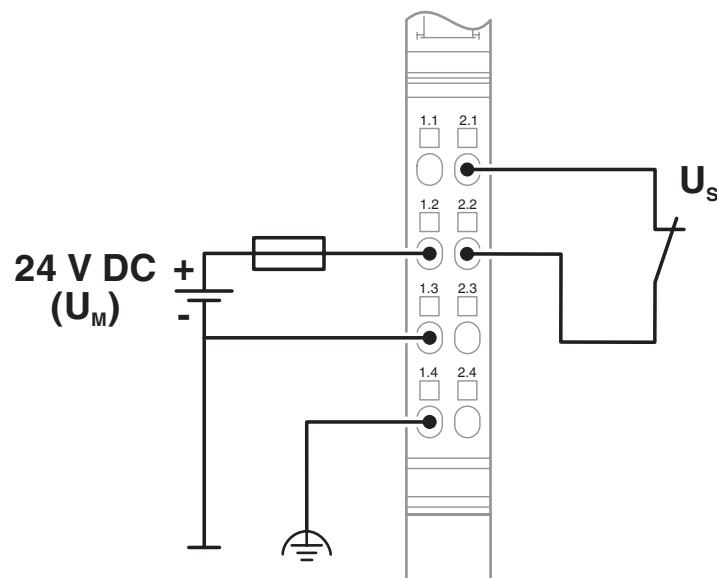
<https://www.phoenixcontact.com/us/products/2836667>

Drawings

Dimensional drawing



Connection diagram



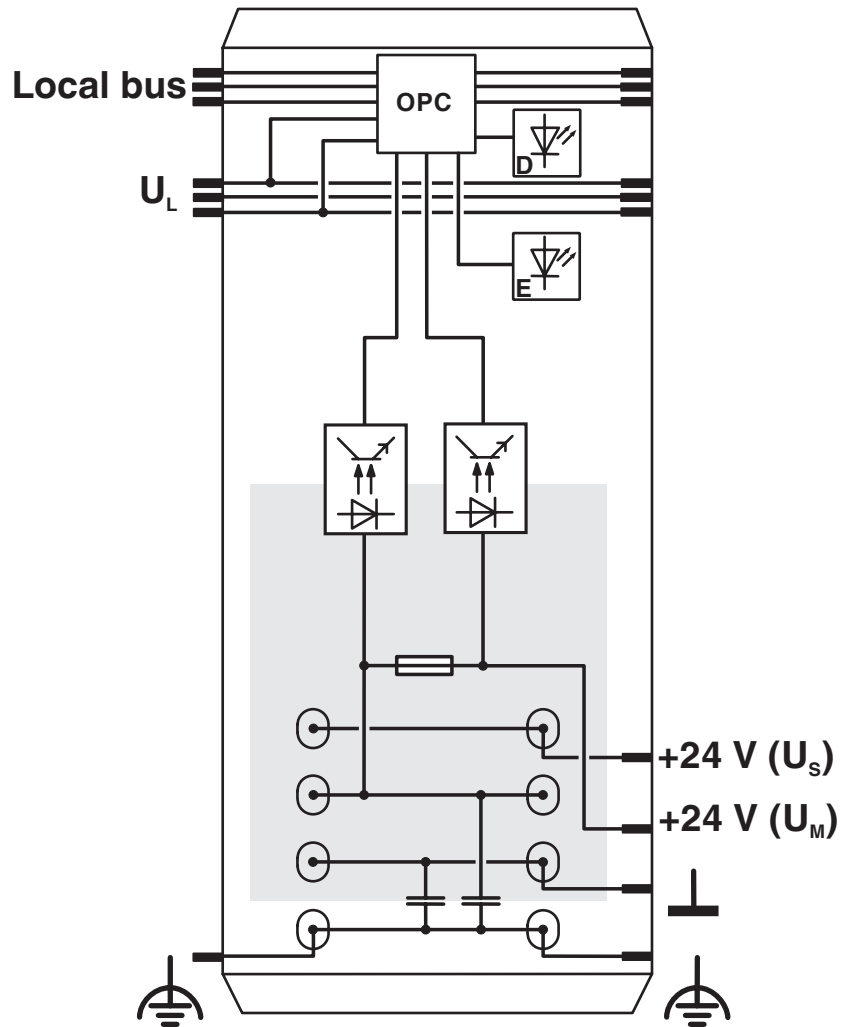
IB IL 24 PWR IN/F-D - Inline terminal

2836667

<https://www.phoenixcontact.com/us/products/2836667>



Block diagram



IB IL 24 PWR IN/F-D - Inline terminal



2836667

<https://www.phoenixcontact.com/us/products/2836667>

Environmental product compliance

EU REACH SVHC

REACH candidate substance (CAS No.)	No substance above 0.1 wt%
-------------------------------------	----------------------------

Phoenix Contact 2026 © - all rights reserved

<https://www.phoenixcontact.com>

Phoenix Contact USA
586 Fulling Mill Road
Middletown, PA 17057, United States
(+717) 944-1300
info@phoenixcon.com