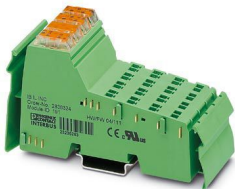


Please be informed that the data shown in this PDF document is generated from our online catalog. Please find the complete data in the user documentation. Our general terms of use for downloads are valid.



Inline positioning terminal, without accessories, 1 incremental encoder input, 4 digital inputs 24 V DC, 4 digital outputs 24 V DC, 500 mA, 3-conductor connection technology

Product description

The Inline absolute and incremental encoder terminals provide a simple solution for the positioning of drives.

The IB IL SSI terminal can be used for the connection of absolute encoders (single-turn or multi-turn). The IB IL INC terminal can be used for the evaluation of incremental encoders (symmetrical or asymmetrical encoders). Both terminals supply 5 V DC and 24 V DC for the connection of encoders and have four 24 V DC digital inputs and four 24 V DC digital outputs, 500 mA.

The digital inputs connect limit switches and reference mark switches; the digital outputs set the transversing direction and the transversing rate using control data.

The terminals are configured and parameterized via INTERBUS. The desired position values can then be set via the control program. If the application allows it, position values can also be saved individually. The module accesses these values independently after a request. The module constantly monitors the homing and sends status messages to the control system. When an error occurs, the drive is immediately stopped.

The Inline positioning terminals can be labeled using hinged labeling fields. The fields have insert cards that can be labeled individually to suit the application. Additionally, there is the ZB-FM-6... Zack strip for labeling the terminal points.

Your advantages

- Precise evaluation via 1x, 2x, or 4x sampling
- Three digital inputs for connecting two limit switches or a home position switch
- Supports incremental encoders with symmetrical signals in accordance with EIA standard RS-422 (line driver)
- Direction of rotation indicator via LED
- 25-bit actual position value
- 5 homing functions
- Supplies encoder with 5 V or 24 V voltage
- Maximum input frequency: 300 kHz
- Wire-break detection

Commercial data

Item number	2836324
Packing unit	1 pc
Note	Made to order (non-returnable)
Sales key	NULL
Product key	DRI162
GTIN	4017918160821
Weight per piece (including packing)	160.8 g
Weight per piece (excluding packing)	133.81 g
Customs tariff number	85389091
Country of origin	DE

Technical data

Product properties

Type	modular
------	---------

System properties

Programming data

Register length (bus)	32 bit
-----------------------	--------

Fieldbus data telegram

Required parameter data	6 Byte
-------------------------	--------

Electrical properties

Test section	5 V supply, incoming remote bus/7.5 V supply (bus logics) 500 V AC 50 Hz 1 min
	5 V supply, outgoing remote bus/7.5 V supply (bus logics) 500 V AC 50 Hz 1 min
	7.5 V supply (bus logics)/24 V supply (I/O) 500 V AC 50 Hz 1 min
	7.5 V supply (bus logic)/functional ground of the encoder supply 500 V AC 50 Hz 1 min
	24 V supply (I/O)/functional ground of the encoder supply 500 V AC 50 Hz 1 min
	24 V supply (I/O)/functional ground of the encoder supply 500 V AC 50 Hz 1 min
	Functional ground of the encoder supply/functional ground 500 V AC 50 Hz 1 min

Supply

Drawing encoder supply voltage	Main circuit U_M
Encoder supply voltage	5 V DC (sym./asym.)
	24 V DC (Only asymmetrical encoders)
Encoder supply current	500 mA
	500 mA
I/O voltage	24 V DC (via voltage jumper)
I/O voltage range	19.2 V DC ... 30 V DC
Residual ripple	± 1.2 V
Max. current consumption	110 mA

Potentials: Communications power (U_L)

Supply voltage	7.5 V DC (via voltage jumper)
Current draw	max. 110 mA

Potentials: Main circuit supply (U_M)

Supply voltage	24 V DC (via voltage jumper)
Supply voltage range	19.2 V DC ... 30 V DC (including all tolerances, including ripple)
Current draw	max. 1 A

Potentials: Segment circuit supply (U_S)

Supply voltage	24 V DC (via voltage jumper)
Current draw	max. 2 A

Input data

Digital

Number of inputs	4
Input voltage	24 V DC
Input voltage range "0" signal	-30 V DC ... 5 V DC
Input voltage range "1" signal	13 V DC ... 30 V DC
Connection method	Inline connector
Connection technology	3-conductor

Incremental encoder

Number of inputs	1
Input frequency (5 V)	0 Hz ... 500 kHz (symmetrical)
Input frequency (24 V)	0 Hz ... 50 kHz (asymmetrical)
Encoder signals	symmetrical encoders according to EIA-422 and asymmetrical encoders

Counter:

Number of inputs	3
------------------	---

Output data

Digital

Number of outputs	4
Output voltage	24 V DC
Protective circuit	electronic short-circuit / overload protection

Connection data

Inline connector

Connection method	Spring-cage connection
Conductor cross-section, rigid	0.08 mm ² ... 1.5 mm ²
Conductor cross-section, flexible	0.08 mm ² ... 1.5 mm ²
Conductor cross-section AWG	28 ... 16

Interfaces

Inline local bus

Connection method	Inline data jumper
Transmission speed	500 kbps
Transmission physics	Copper

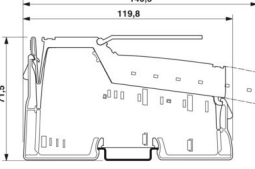
Dimensions

IB IL INC - Inline function terminal



2836324

<https://www.phoenixcontact.com/us/products/2836324>

Dimensional drawing		
Width		48.8 mm
Height		119.8 mm
Depth		71.5 mm

Environmental and real-life conditions

Ambient conditions

Degree of protection	IP20
----------------------	------

Mounting

Mounting type	DIN rail mounting
---------------	-------------------

IB IL INC - Inline function terminal



2836324

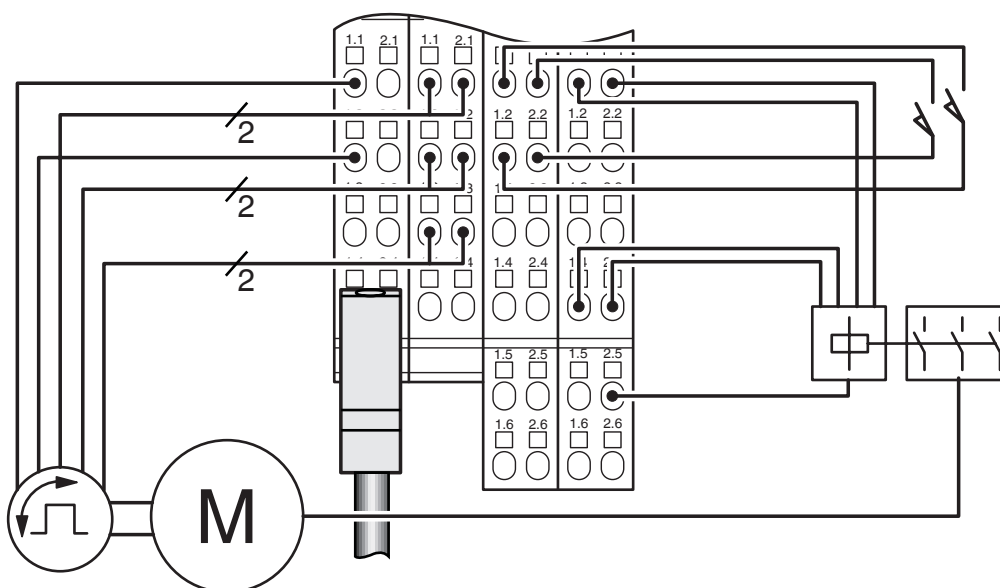
<https://www.phoenixcontact.com/us/products/2836324>

Drawings

Dimensional drawing



Connection diagram

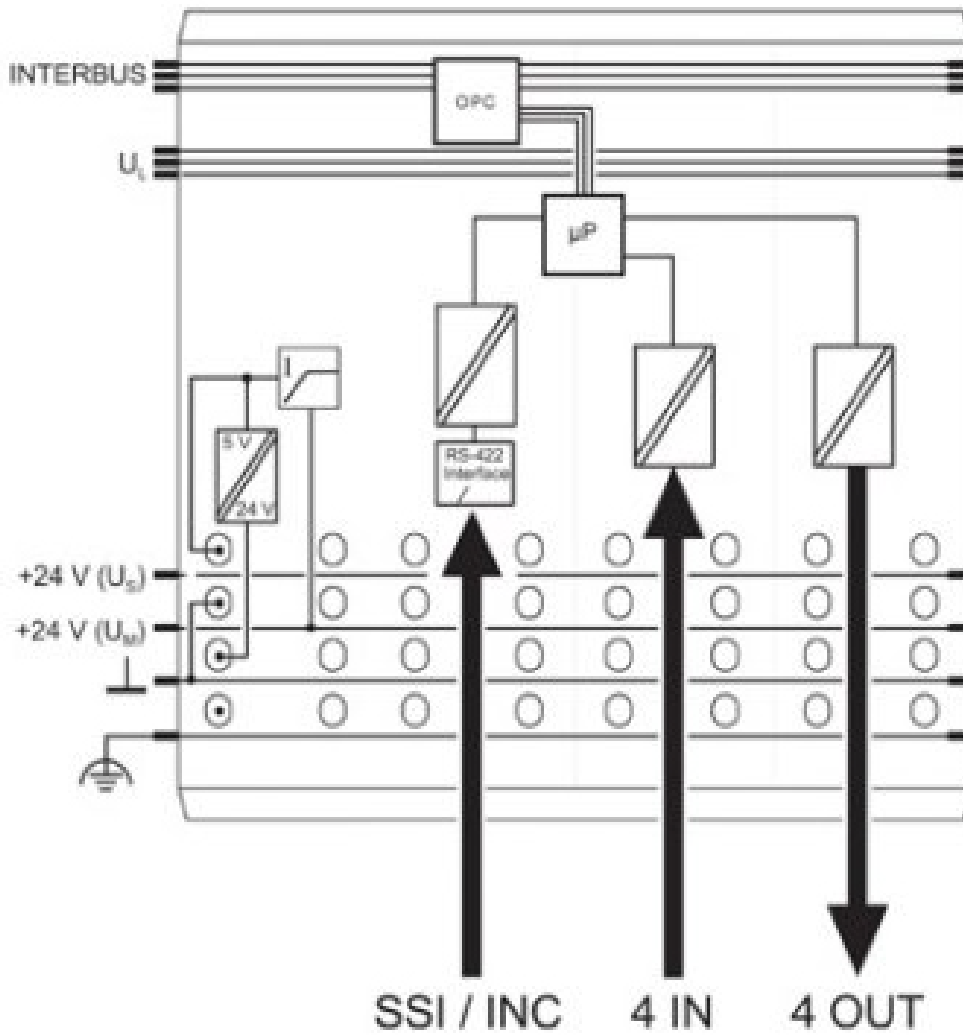


IB IL INC - Inline function terminal

2836324

<https://www.phoenixcontact.com/us/products/2836324>

Block diagram



IB IL INC - Inline function terminal



2836324

<https://www.phoenixcontact.com/us/products/2836324>

Environmental product compliance

EU REACH SVHC

REACH candidate substance (CAS No.)	
-------------------------------------	--

	No substance above 0.1 wt%
--	----------------------------

Phoenix Contact 2026 © - all rights reserved

<https://www.phoenixcontact.com>

Phoenix Contact USA
586 Fulling Mill Road
Middletown, PA 17057, United States
(+717) 944-1300
info@phoenixcon.com