

PI-EX-MB-DI/16/FLK14/PLC/KD-S1 - Basic terminal block



2835985

<https://www.phoenixcontact.com/us/products/2835985>

Please be informed that the data shown in this PDF document is generated from our online catalog. Please find the complete data in the user documentation. Our general terms of use for downloads are valid.



Ex i motherboard to accept 16 x PI-Ex i NAMUR repeater power supplies (PI-EX-NAM...), FLK pin strips for connection to S7-300 digital in cards using system cables, disconnect plug terminal blocks for the field side, assembly on NS 32, or NS 35/7.5.

Commercial data

Item number	2835985
Packing unit	1 pc
Minimum order quantity	1 pc
Product key	DK1XXX
GTIN	4017918909130
Weight per piece (including packing)	992.7 g
Weight per piece (excluding packing)	925.3 g
Country of origin	DE

PI-EX-MB-DI/16/FLK14/PLC/KD-S1 - Basic terminal block



2835985

<https://www.phoenixcontact.com/us/products/2835985>

Technical data

Product properties

Product type	Module carrier
Application	Base element

Electrical properties

Nominal voltage U_N	20 V DC ... 35 V DC
Nominal current I_N	60 mA (max. current consumption)

Supply

Redundant supply	yes, decoupled from diodes
------------------	----------------------------

Connection data

Controller level

Connection method	FLK pin strip
Number of connections	2
Number of positions	14

Field level

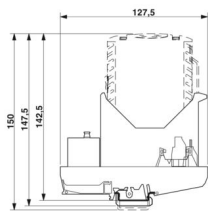
Connection method	Screw connection
Stripping length	8 mm
Number of positions	32
Conductor cross-section rigid	0.2 mm ² ... 4 mm ²
Conductor cross-section flexible	0.2 mm ² ... 2.5 mm ²
Conductor cross-section AWG	24 ... 12
Tightening torque	0.5 Nm ... 0.6 Nm

Ex data

Safety data

Max. output voltage U_o	≤ 30 V
Safety-related maximum voltage U_m	250 V

Dimensions

Dimensional drawing	
Width	260 mm
Height	127.5 mm
Depth	92 mm

PI-EX-MB-DI/16/FLK14/PLC/KD-S1 - Basic terminal block



2835985

<https://www.phoenixcontact.com/us/products/2835985>

Depth NS 35/7,5	142.5 mm (with NS 35/7.5 coupling connector)
Depth NS 32	147.5 mm (with NS 32 coupling connector)
Depth NS 35/15	150 mm (with NS 35/15 coupling connector)

Material specifications

Color	green (RAL 6021)
Flammability rating according to UL 94	V0
Housing insulation material	Polyamide PA non-reinforced, polycarbonate PC

Environmental and real-life conditions

Ambient conditions

Ambient temperature (operation)	-20 °C ... 60 °C
Ambient temperature (storage/transport)	-40 °C ... 75 °C

Approvals

CE

Certificate	CE-compliant
-------------	--------------

ATEX

Identification	⊕ II (1) G [Ex ia Ga] IIC
	⊕ II (1) D [Ex ia Da] IIIC
	⊕ II 3 (1) G Ex nA [ia Ga] IIC T4 Gc
Certificate	KEMA 99ATEX7296
	PxCIF08ATEX2835325X

EAC Ex

Identification	Ⓜ [Ex ia Ga] IIC
Certificate	RU C-DE.AB72.B.00097/19

Mounting

Mounting type	DIN rail mounting
---------------	-------------------

PI-EX-MB-DI/16/FLK14/PLC/KD-S1 - Basic terminal block

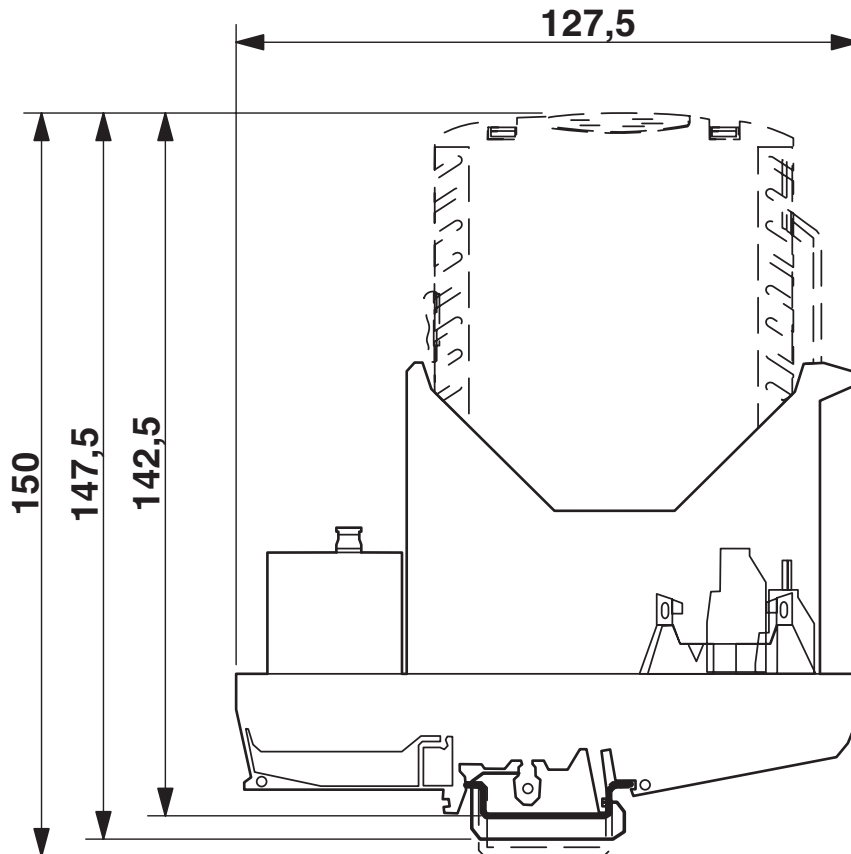


2835985

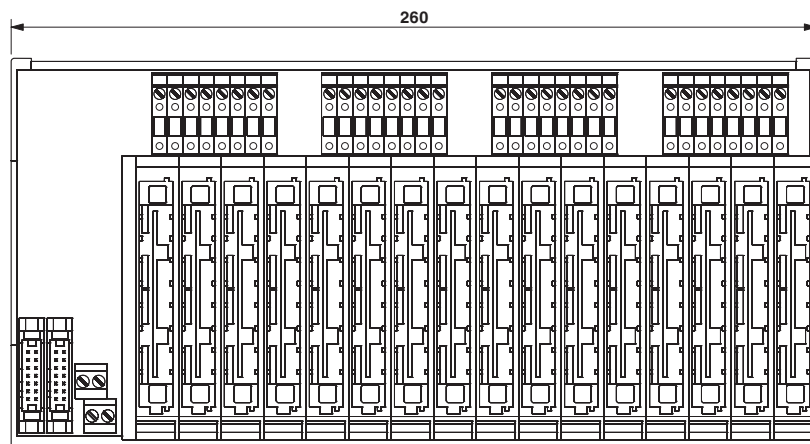
<https://www.phoenixcontact.com/us/products/2835985>

Drawings

Dimensional drawing



Dimensional drawing



PI-EX-MB-DI/16/FLK14/PLC/KD-S1 - Basic terminal block



2835985

<https://www.phoenixcontact.com/us/products/2835985>

Classifications

UNSPSC

UNSPSC 21.0	39121400
-------------	----------

PI-EX-MB-DI/16/FLK14/PLC/KD-S1 - Basic terminal block



2835985

<https://www.phoenixcontact.com/us/products/2835985>

Environmental product compliance

EU RoHS

Fulfills EU RoHS substance requirements	Yes, No exemptions
---	--------------------

China RoHS

Environment friendly use period (EFUP)	EFUP-E
	No hazardous substances above the limits

EU REACH SVHC

REACH candidate substance (CAS No.)	No substance above 0.1 wt%
-------------------------------------	----------------------------

Phoenix Contact 2026 © - all rights reserved
<https://www.phoenixcontact.com>

Phoenix Contact USA
586 Fulling Mill Road
Middletown, PA 17057, United States
(+717) 944-1300
info@phoenixcon.com