

PI-N-NAM/RNO - Signal monitoring block



2835888

<https://www.phoenixcontact.com/us/products/2835888>

Please be informed that the data shown in this PDF document is generated from our online catalog. Please find the complete data in the user documentation. Our general terms of use for downloads are valid.



Non-Ex binary input: NAMUR isolation amplifiers. For operating proximity sensors and switches. The binary signals from the field are sent to the control level. Relay output (N/O contact), line fault detection. Electrical isolation.

Commercial data

Item number	2835888
Packing unit	1 pc
Note	Made to order (non-returnable)
Sales key	C430
Product key	DK1XXX
GTIN	4017918907396
Weight per piece (including packing)	83.7 g
Weight per piece (excluding packing)	68.11 g
Customs tariff number	85437090
Country of origin	DE

PI-N-NAM/RNO - Signal monitoring block



2835888

<https://www.phoenixcontact.com/us/products/2835888>

Technical data

Product properties

Product type	Isolating switch amplifier
Application	Digital IN
No. of channels	1

Electrical properties

Electrical isolation between input and output	yes
---	-----

Electrical isolation Input/power supply

Electrical isolation	250 V
----------------------	-------

Electrical isolation Output/supply

Test voltage	1.5 kV AC (50 Hz, 60 s)
--------------	-------------------------

Supply

Supply voltage range	20 V DC ... 30 V DC
Max. current consumption	30 mA
Power consumption	0.55 W (24 V)

Input data

Signal: NAMUR

Number of inputs	1
Available input sources	NAMUR proximity sensors (IEC/EN 60947-5-6) floating switch contacts Switch contacts with resistance circuit
Switching threshold "0" signal current	< 1.2 mA (blocking)
Switching threshold "1" signal, current	> 2.1 mA (conductive)
Line fault detection	can be enabled/disabled via switch
Open-circuit voltage	8.2 V DC \pm 10 %

Output data

Switching: Relay

Configurable/programmable	Can be inverted via slide switch
Contact switching type	N/O contact, reversal options, SPST
Contact material	AgSnO, hard gold-plated
Limiting continuous current	50 mA (for gold layer, 30 V AC/ 36 V DC) 3 A (In the event of destroyed gold layer, 250 V AC/DC)
Min. switching current	1 mA

Signal

Number of outputs	1
Switching behavior	Can be inverted via slide switch

PI-N-NAM/RNO - Signal monitoring block



2835888

<https://www.phoenixcontact.com/us/products/2835888>

Switching frequency	max. 20 Hz (Load-dependent)
---------------------	-----------------------------

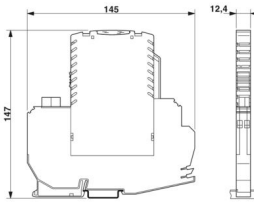
Connection data

Connection method	Screw connection
-------------------	------------------

Signaling

Status display	Green LED (supply voltage)
	Yellow LED (status display)
	Red LED (line errors)

Dimensions

Dimensional drawing	
Width	12.4 mm
Depth	147 mm

Material specifications

Color	green (RAL 6021)
Flammability rating according to UL 94	V0
Housing material	PBT and polyamide PA non-reinforced

Environmental and real-life conditions

Ambient conditions

Degree of protection	IP20
Ambient temperature (operation)	-20 °C ... 55 °C
Ambient temperature (storage/transport)	-25 °C ... 85 °C

Approvals

CE

Certificate	CE-compliant
-------------	--------------

PI-N-NAM/RNO - Signal monitoring block

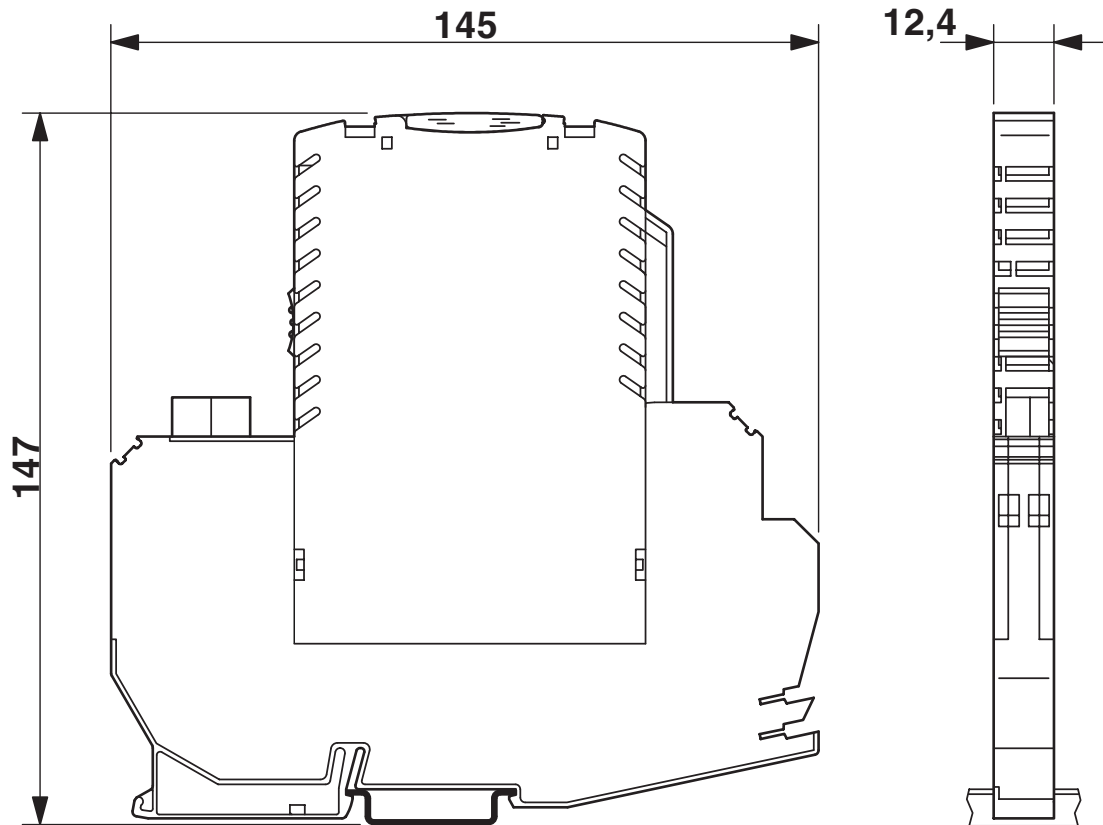
2835888

<https://www.phoenixcontact.com/us/products/2835888>



Drawings

Dimensional drawing

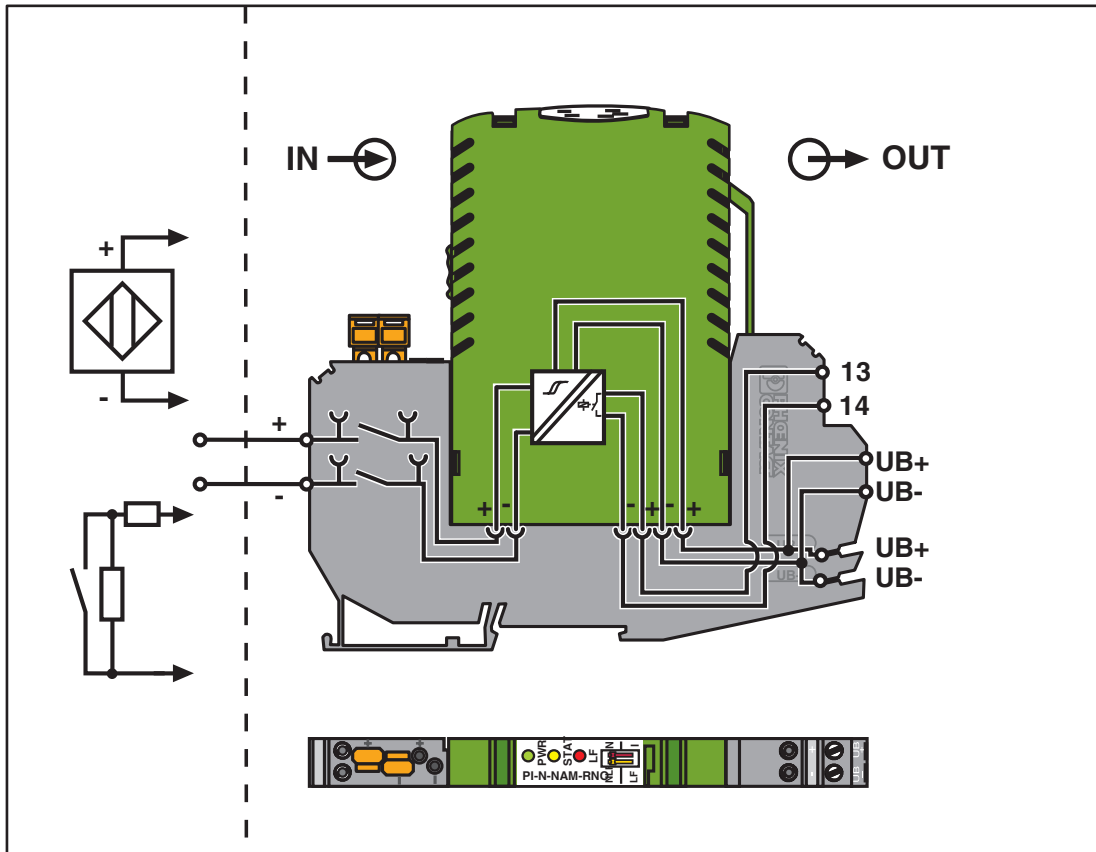


PI-N-NAM/RNO - Signal monitoring block

2835888

<https://www.phoenixcontact.com/us/products/2835888>

Block diagram



2835888

<https://www.phoenixcontact.com/us/products/2835888>

Environmental product compliance

China RoHS

Environment friendly use period (EFUP)	EFUP-50
	An article-related China RoHS declaration table can be found in the download area for the respective article under "Manufacturer declaration". For all articles with EFUP-E, no China RoHS declaration table issued and required.

EU REACH SVHC

REACH candidate substance (CAS No.)	No substance above 0.1 wt%
-------------------------------------	----------------------------

Phoenix Contact 2026 © - all rights reserved
<https://www.phoenixcontact.com>

Phoenix Contact USA
586 Fulling Mill Road
Middletown, PA 17057, United States
(+717) 944-1300
info@phoenixcon.com