

# PI-MB/16/3/D-SUB - Basic terminal block

2835697

<https://www.phoenixcontact.com/us/products/2835697>

Please be informed that the data shown in this PDF document is generated from our online catalog. Please find the complete data in the user documentation. Our general terms of use for downloads are valid.



Motherboard to accept 16 x PI-Nicht-Ex-i isolator modules (PI-N-...), three terminal points for the field side for every module, 37-pos. D-SUB pin strip for connection of the signals to the control system level, assembly on NS 32, or NS 35/7.5.

## Commercial data

Item number	2835697
Packing unit	1 pc
Note	Made to order (non-returnable)
Sales key	C430
Product key	DK1XXX
GTIN	4017918951146
Weight per piece (including packing)	912.2 g
Weight per piece (excluding packing)	670.24 g
Customs tariff number	85389091
Country of origin	DE

# PI-MB/16/3/D-SUB - Basic terminal block



2835697

<https://www.phoenixcontact.com/us/products/2835697>

## Technical data

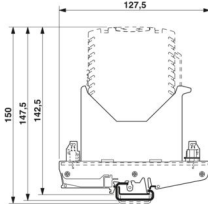
### Product properties

Product type	Module carrier
Application	Base element

### Electrical properties

Nominal voltage $U_N$	20 V DC ... 35 V DC (See nominal voltage, PI modules)
Reverse polarity protection	yes

### Dimensions

Dimensional drawing	
Width	247.7 mm
Height	127.5 mm
Depth	92 mm
Depth NS 35/7,5	142.5 mm (with NS 35/7.5 coupling connector)
Depth NS 32	147.5 mm (with NS 32 coupling connector)
Depth NS 35/15	150 mm (with NS 35/15 coupling connector)

### Material specifications

Color	green (RAL 6021)
Flammability rating according to UL 94	V0
Housing insulation material	Polyamide PA non-reinforced, polycarbonate PC

### Environmental and real-life conditions

#### Ambient conditions

Ambient temperature (operation)	-20 °C ... 60 °C
Ambient temperature (storage/transport)	-40 °C ... 75 °C

### Approvals

#### CE

Certificate	CE-compliant
-------------	--------------

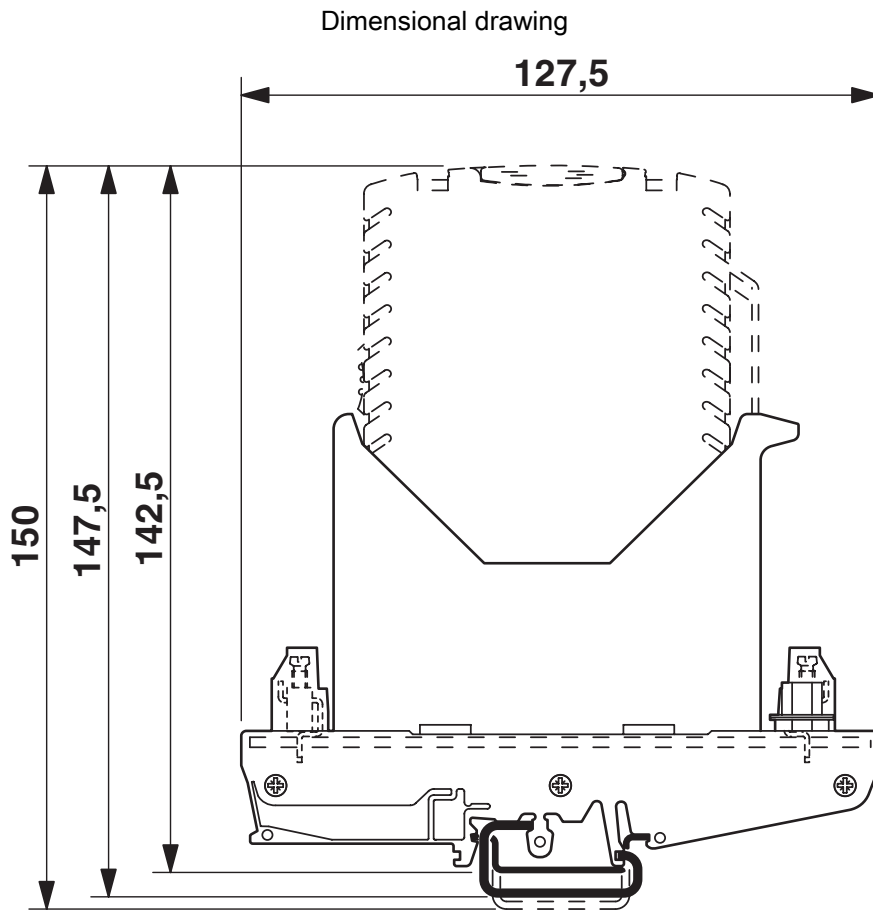
# PI-MB/16/3/D-SUB - Basic terminal block



2835697

<https://www.phoenixcontact.com/us/products/2835697>

## Drawings



# PI-MB/16/3/D-SUB - Basic terminal block



2835697

<https://www.phoenixcontact.com/us/products/2835697>

## Environmental product compliance

### China RoHS

Environment friendly use period (EFUP)	EFUP-50
	An article-related China RoHS declaration table can be found in the download area for the respective article under "Manufacturer declaration". For all articles with EFUP-E, no China RoHS declaration table issued and required.

### EU REACH SVHC

REACH candidate substance (CAS No.)	No substance above 0.1 wt%
-------------------------------------	----------------------------

Phoenix Contact 2026 © - all rights reserved  
<https://www.phoenixcontact.com>

Phoenix Contact USA  
586 Fulling Mill Road  
Middletown, PA 17057, United States  
(+717) 944-1300  
[info@phoenixcon.com](mailto:info@phoenixcon.com)