

PI-N-UI-UI-AO-NC - Signal isolator



2835684

<https://www.phoenixcontact.com/us/products/2835684>

Please be informed that the data shown in this PDF document is generated from our online catalog. Please find the complete data in the user documentation. Our general terms of use for downloads are valid.



Non Ex Analog Output: output signal conditioner. Isolates and converts analog standard signals. With configurable input/output. 3-way isolated (input/output/supply). Non configured.

Commercial data

Item number	2835684
Packing unit	1 pc
Note	Made to order (non-returnable)
Sales key	NULL
Product key	DK1XXX
GTIN	4017918907341
Weight per piece (including packing)	88.6 g
Weight per piece (excluding packing)	93.7 g
Customs tariff number	85389091
Country of origin	DE

PI-N-UI-UI-AO-NC - Signal isolator



2835684

<https://www.phoenixcontact.com/us/products/2835684>

Technical data

Product properties

Product type	Signal conditioner
Application	Analog OUT
No. of channels	1

Electrical properties

Alignment span	± 5 %
Alignment zero	± 4 %
Electrical isolation	3-way isolation
Electrical isolation between input and output	yes
Limit frequency (3 dB)	30 Hz
Step response (10-90%)	11 ms
Maximum temperature coefficient	0.0075 %/K
Maximum transmission error	≤ 0.1 % (Of end value (at 20°C))

Electrical isolation Input/output

Test voltage	1.5 kV AC (50 Hz, 60 s)
--------------	-------------------------

Electrical isolation Input/power supply

Test voltage	1.5 kV AC (50 Hz, 60 s)
--------------	-------------------------

Electrical isolation Output/supply

Test voltage	1.5 kV AC (50 Hz, 60 s)
--------------	-------------------------

Supply

Supply voltage range	20 V DC ... 30 V DC
Typical current consumption	35 mA (24 V DC / 20 mA)
Max. current consumption	50 mA
Power consumption	typ. 0.84 W (24 V DC / 20 mA) max. 1.2 W

Input data

Signal: Voltage/current

Number of inputs	1
Configurable/programmable	Yes, unconfigured
Voltage input signal	0 V ... 10 V (Indicate different setting for order, different configuration via DIP switch)
Max. voltage input signal	30 V
Max. current input signal	50 mA
Input resistance of voltage input	1 MΩ
Input resistance current input	50 Ω

Output data

PI-N-UI-UI-AO-NC - Signal isolator

2835684

<https://www.phoenixcontact.com/us/products/2835684>

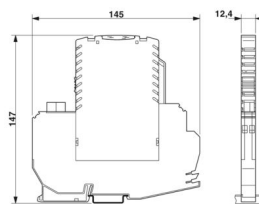
Signal

Number of outputs	1
Configurable/programmable	Yes, unconfigured
Voltage output signal	0 V ... 10 V (Indicate different setting for order, different configuration via DIP switch)
Max. voltage output signal	15 V
Max. current output signal	45 mA
Load/output load voltage output	$\geq 5 \text{ k}\Omega$
Load/output load current output	$\leq 500 \Omega$
Output ripple (current)	$< 40 \mu\text{A}_{\text{pp}}$ (For 500Ω)

Signaling

Status display	Green LED (supply voltage)
----------------	----------------------------

Dimensions

Dimensional drawing	
Width	12.4 mm
Depth	147 mm

Material specifications

Color	green (RAL 6021)
Flammability rating according to UL 94	V0
Housing material	PBT and polyamide PA non-reinforced

Environmental and real-life conditions

Ambient conditions

Degree of protection	IP20
Ambient temperature (operation)	max. $-20 \text{ }^\circ\text{C}$... $60 \text{ }^\circ\text{C}$ (see data sheet)
Ambient temperature (storage/transport)	$-20 \text{ }^\circ\text{C}$... $85 \text{ }^\circ\text{C}$

Approvals

CE

Certificate	CE-compliant
-------------	--------------

Standards and regulations

Electrical isolation	3-way isolation
----------------------	-----------------

PI-N-UI-UI-AO-NC - Signal isolator

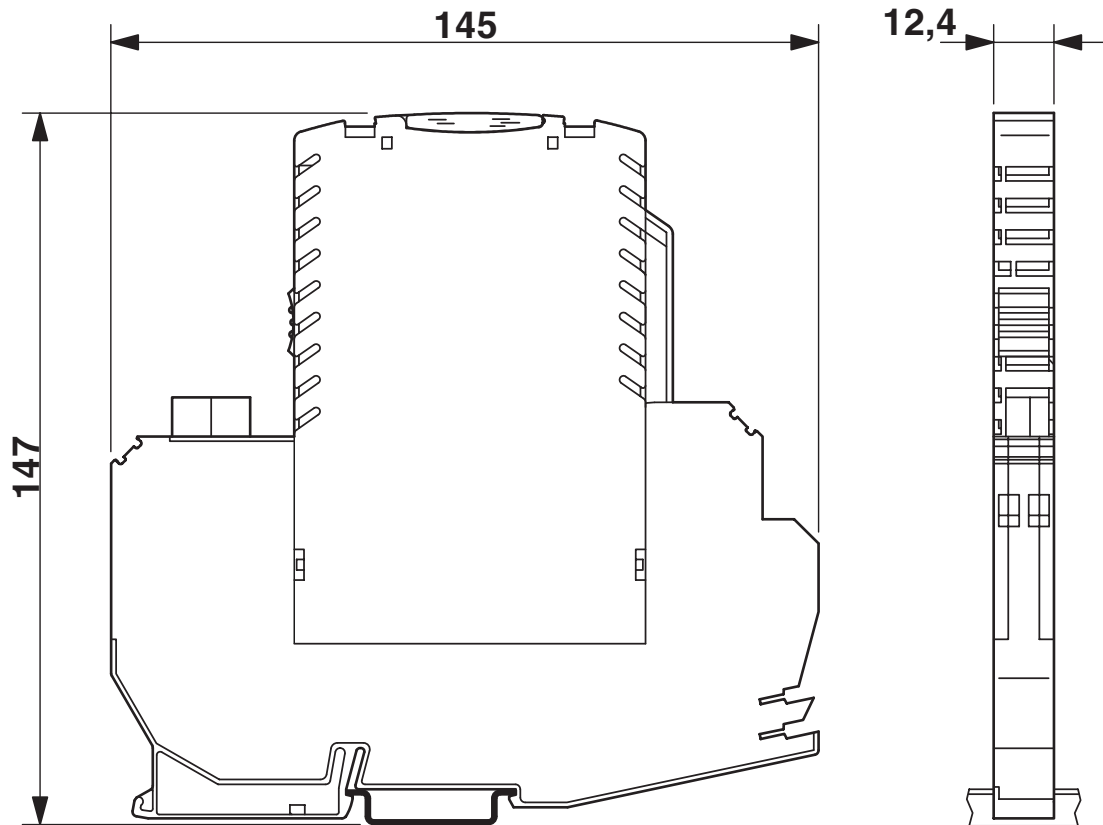
2835684

<https://www.phoenixcontact.com/us/products/2835684>



Drawings

Dimensional drawing

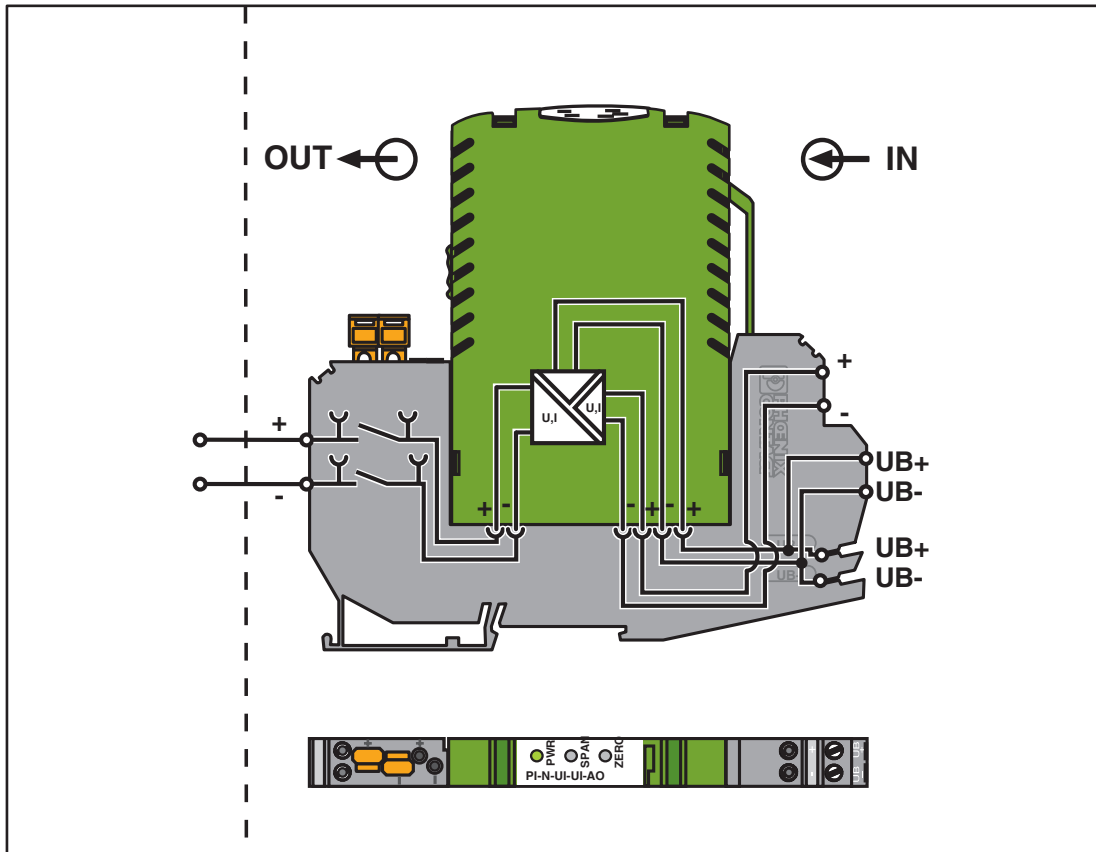


PI-N-UI-UI-AO-NC - Signal isolator

2835684

<https://www.phoenixcontact.com/us/products/2835684>

Block diagram



PI-N-UI-UI-AO-NC - Signal isolator



2835684

<https://www.phoenixcontact.com/us/products/2835684>

Classifications

ECLASS

ECLASS-13.0	27210120
ECLASS-15.0	27210120

ETIM

ETIM 9.0	EC002653
----------	----------

UNSPSC

UNSPSC 21.0	39121008
-------------	----------

PI-N-UI-UI-AO-NC - Signal isolator



2835684

<https://www.phoenixcontact.com/us/products/2835684>

Environmental product compliance

EU REACH SVHC

REACH candidate substance (CAS No.)	No substance above 0.1 wt%
-------------------------------------	----------------------------

Phoenix Contact 2026 © - all rights reserved

<https://www.phoenixcontact.com>

Phoenix Contact USA
586 Fulling Mill Road
Middletown, PA 17057, United States
(+717) 944-1300
info@phoenixcon.com