

# UM122-2FLK14/PI-ES/8/IN/S7 - Basic terminal block



2835655

<https://www.phoenixcontact.com/us/products/2835655>

Please be informed that the data shown in this PDF document is generated from our online catalog. Please find the complete data in the user documentation. Our general terms of use for downloads are valid.

Analog IN-motherboard for S7-300, to hold PI-C-UI-UI-AI, mounting on NS 32, or NS 35/7.5.



## Commercial data

|                                      |               |
|--------------------------------------|---------------|
| Item number                          | 2835655       |
| Packing unit                         | 1 pc          |
| Sales key                            | C430          |
| Product key                          | DK1XXX        |
| GTIN                                 | 4017918827281 |
| Weight per piece (including packing) | 458 g         |
| Weight per piece (excluding packing) | 403.5 g       |
| Customs tariff number                | 85389099      |
| Country of origin                    | DE            |

2835655

<https://www.phoenixcontact.com/us/products/2835655>

## Technical data

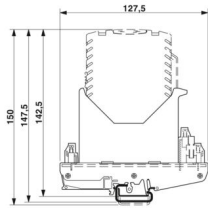
### Product properties

|              |                |
|--------------|----------------|
| Product type | Module carrier |
| Application  | Base element   |

### Electrical properties

|                             |                                  |
|-----------------------------|----------------------------------|
| Nominal voltage $U_N$       | 20 V DC ... 35 V DC              |
| Nominal current $I_N$       | 60 mA (max. current consumption) |
| Reverse polarity protection | yes                              |

### Dimensions

|                     |   |
|---------------------|---|
| Dimensional drawing |  |
| Width               | 113.4 mm  |
| Height              | 127.5 mm  |
| Depth               | 82.6 mm   |
| Depth NS 35/7,5     | 142.5 mm (with NS 35/7.5 coupling connector)  |
| Depth NS 32         | 147.5 mm (with NS 32 coupling connector)  |
| Depth NS 35/15      | 150 mm (with NS 35/15 coupling connector)   |

### Material specifications

|  |   |
|--|---|
| Color                                  | green (RAL 6021)                              |
| Flammability rating according to UL 94 | V0  |
| Housing insulation material            | Polyamide PA non-reinforced, polycarbonate PC |

### Environmental and real-life conditions

#### Ambient conditions

|   |                  |
|---|------------------|
| Ambient temperature (operation)         | -20 °C ... 60 °C |
| Ambient temperature (storage/transport) | -40 °C ... 75 °C |

### Approvals

#### CE

|             |              |
|-------------|--------------|
| Certificate | CE-compliant |
|-------------|--------------|

### Mounting

|               |                   |
|---------------|-------------------|
| Mounting type | DIN rail mounting |
|---------------|-------------------|

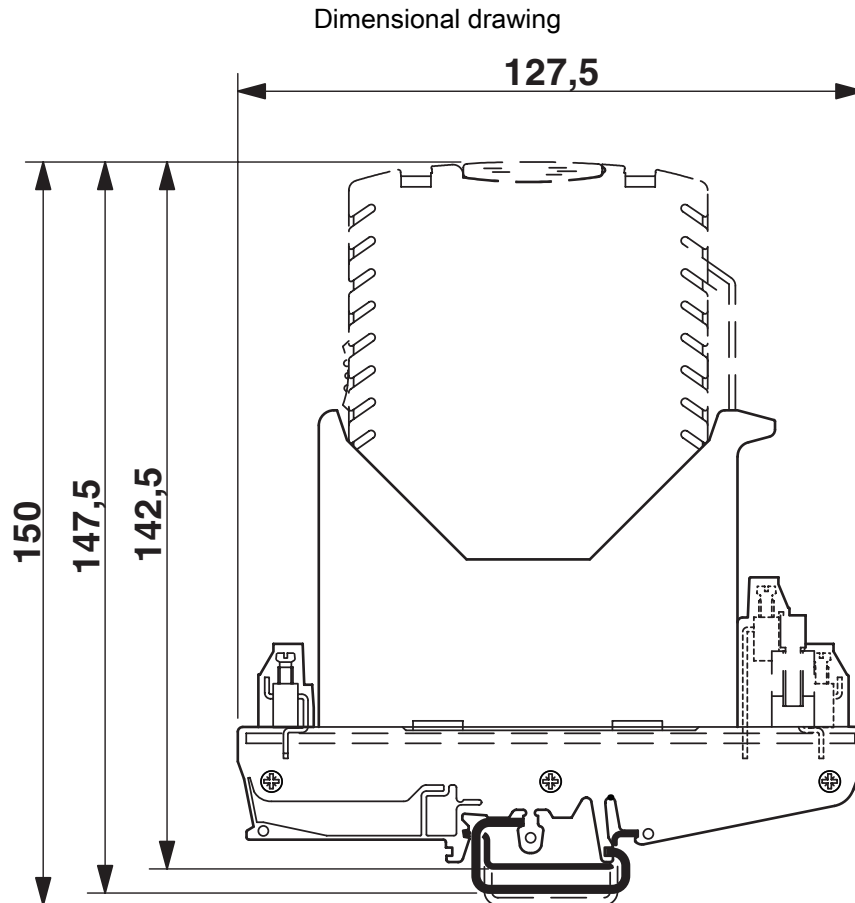
# UM122-2FLK14/PI-ES/8/IN/S7 - Basic terminal block



2835655

<https://www.phoenixcontact.com/us/products/2835655>

## Drawings



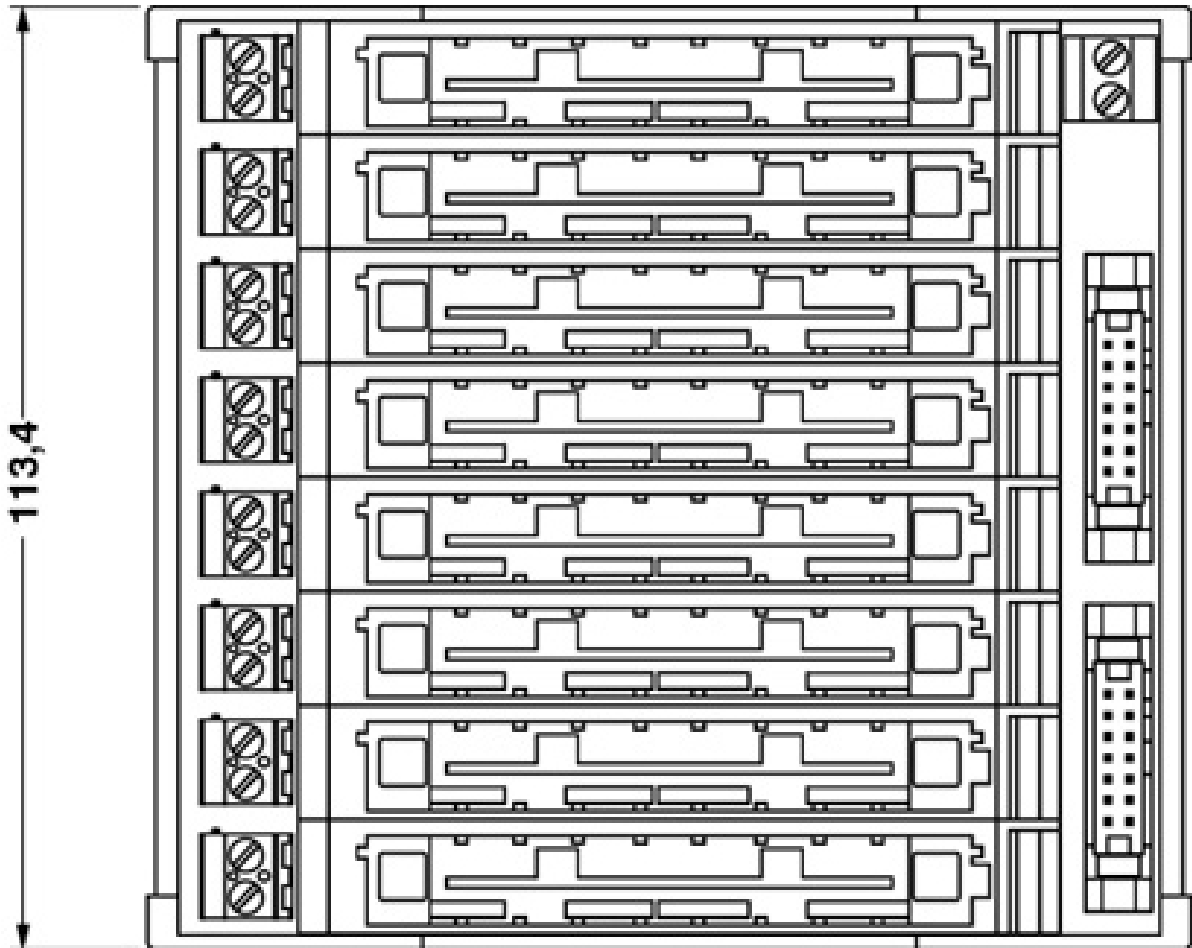
# UM122-2FLK14/PI-ES/8/IN/S7 - Basic terminal block



2835655

<https://www.phoenixcontact.com/us/products/2835655>

Dimensional drawing



# UM122-2FLK14/PI-ES/8/IN/S7 - Basic terminal block



2835655

<https://www.phoenixcontact.com/us/products/2835655>

## Classifications

### UNSPSC

|             |          |
|-------------|----------|
| UNSPSC 21.0 | 39121400 |
|-------------|----------|

2835655

<https://www.phoenixcontact.com/us/products/2835655>

## Environmental product compliance

### EU RoHS

|   |                    |
|---|--------------------|
| Fulfills EU RoHS substance requirements | Yes, No exemptions |
|---|--------------------|

### China RoHS

|  |   |
|--|---|
| Environment friendly use period (EFUP) | EFUP-50   |
|  | An article-related China RoHS declaration table can be found in the download area for the respective article under "Manufacturer declaration". For all articles with EFUP-E, no China RoHS declaration table issued and required. |

### EU REACH SVHC

|                                     |                            |
|-------------------------------------|----------------------------|
| REACH candidate substance (CAS No.) | No substance above 0.1 wt% |
|-------------------------------------|----------------------------|

Phoenix Contact 2026 © - all rights reserved

<https://www.phoenixcontact.com>

Phoenix Contact USA  
586 Fulling Mill Road  
Middletown, PA 17057, United States  
(+717) 944-1300  
[info@phoenixcon.com](mailto:info@phoenixcon.com)