

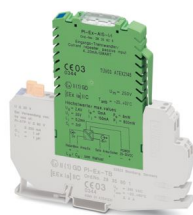
# PI-EX-AIS-I/I - Signal isolator



2835626

<https://www.phoenixcontact.com/us/products/2835626>

Please be informed that the data shown in this PDF document is generated from our online catalog. Please find the complete data in the user documentation. Our general terms of use for downloads are valid.



Ex i analog input: input signal conditioner, HART-transparent. Transmits 4 mA ... 20 mA signals from externally supplied measuring transducers installed in the Ex area to a load in the safe area. 3-way electrical isolation (input/output/supply).

## Commercial data

Item number	2835626
Packing unit	1 pc
Note	Made to order (non-returnable)
Sales key	NULL
Product key	DK1XXX
GTIN	4017918911935
Weight per piece (including packing)	100.5 g
Weight per piece (excluding packing)	100.5 g
Customs tariff number	85438997
Country of origin	DE

## Technical data

### Notes

Order information:	The electronics module is plugged into a basic terminal block.
--------------------	--

### Product properties

Product type	Signal conditioner
Application	Analog IN
No. of channels	1

### Electrical properties

Step response (10-90%)	< 100 $\mu$ s
Maximum temperature coefficient	< 0.01 %/K
Maximum transmission error	$\leq$ 0.1 % (Of end value (at 20°C))

#### Electrical isolation Input/output

Electrical isolation	375 V (Peak value as per EN 50020 / EN 60079-11)
----------------------	--

#### Electrical isolation Input/power supply

Electrical isolation	375 V (Peak value as per EN 50020 / EN 60079-11)
----------------------	--

#### Electrical isolation Output/supply

Test voltage	1.5 kV AC (50 Hz, 60 s)
--------------	-------------------------

#### Supply

Supply voltage range	20 V DC ... 35 V DC
Max. current consumption	< 36 mA (at 24 V)
Power consumption	< 0.9 W (at 24 V)

### Input data

#### Signal

Description of the input	Current input, intrinsically safe
Current input signal	4 mA ... 20 mA
	0 mA ... 20 mA

### Output data

#### Signal

Output description	Current output
Current output signal	4 mA ... 20 mA
	0 mA ... 20 mA
Output current with short-circuit	0 mA
Output current with wire break	0 mA
Load/output load current output	$\leq$ 600 $\Omega$
Output ripple (current)	< 65 $\mu$ A <sub>pp</sub> (For 600 $\Omega$ )

# PI-EX-AIS-I/I - Signal isolator

2835626

<https://www.phoenixcontact.com/us/products/2835626>

## Ex data

### Safety data

Max. power $P_i$	800 mW
Max. output voltage $U_o$	2.4 V
Max. output current $I_o$	13 mA
Max. output power $P_o$	8 mW
Safety-related maximum voltage $U_m$	250 V AC

## Interfaces

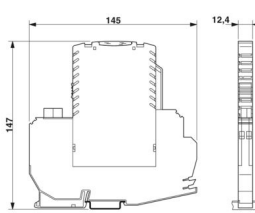
### Data communication (bypass)

HART function	Yes
Protocols supported	HART-transparent

## Signaling

Status display	Green LED (supply voltage)
----------------	----------------------------

## Dimensions

Dimensional drawing	
Width	12.4 mm
Depth	147 mm

## Material specifications

Color	green (RAL 6021)
Flammability rating according to UL 94	V0
Housing material	PBT and polyamide PA non-reinforced

## Environmental and real-life conditions

### Ambient conditions

Degree of protection	IP20
Ambient temperature (operation)	-20 °C ... 55 °C
Ambient temperature (storage/transport)	-40 °C ... 85 °C

## Approvals

### CE

Certificate	CE-compliant
-------------	--------------

### ATEX

# PI-EX-AIS-I/I - Signal isolator



2835626

<https://www.phoenixcontact.com/us/products/2835626>

Identification	Ⓜ II (1) GD [EEx ia] IIC
	Ⓜ II 3 G Ex nA II T4 X

UL, USA/Canada

Identification	applied for
----------------	-------------

## Standards and regulations

Standards

Standards/regulations	NAMUR recommendation NE 21
-----------------------	----------------------------

# PI-EX-AIS-I/I - Signal isolator

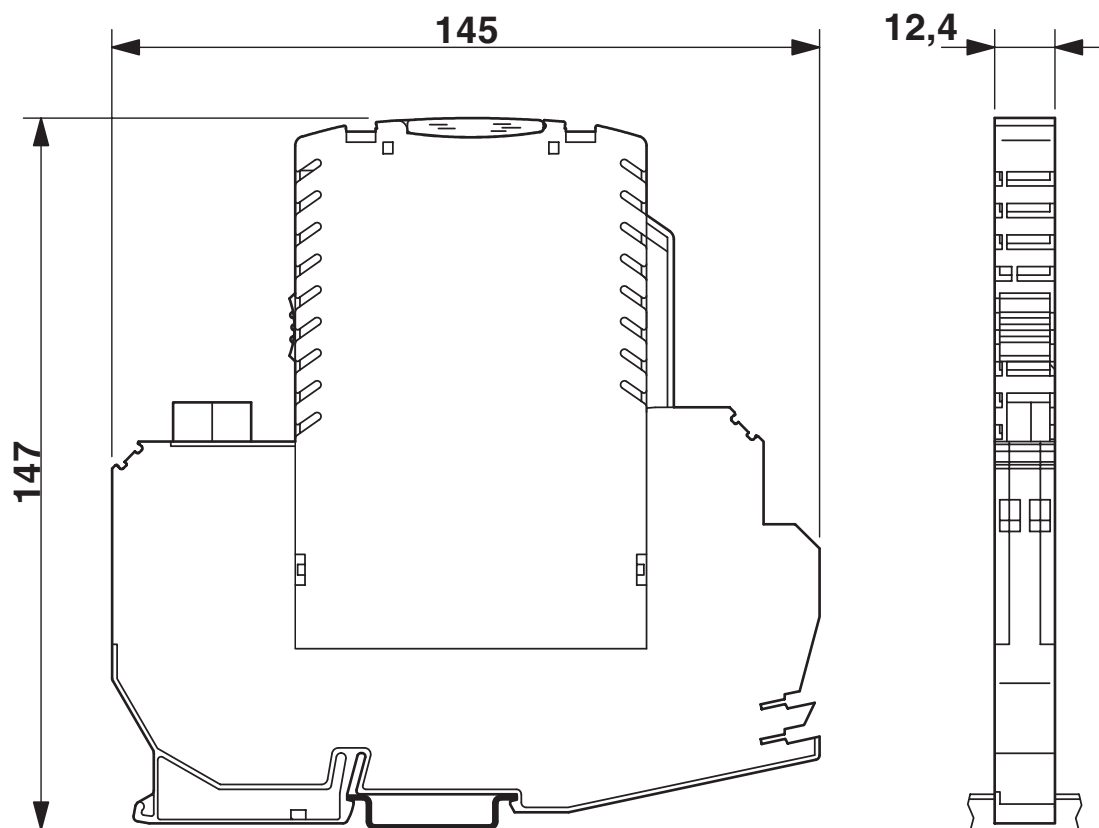
2835626

<https://www.phoenixcontact.com/us/products/2835626>



## Drawings

Dimensional drawing



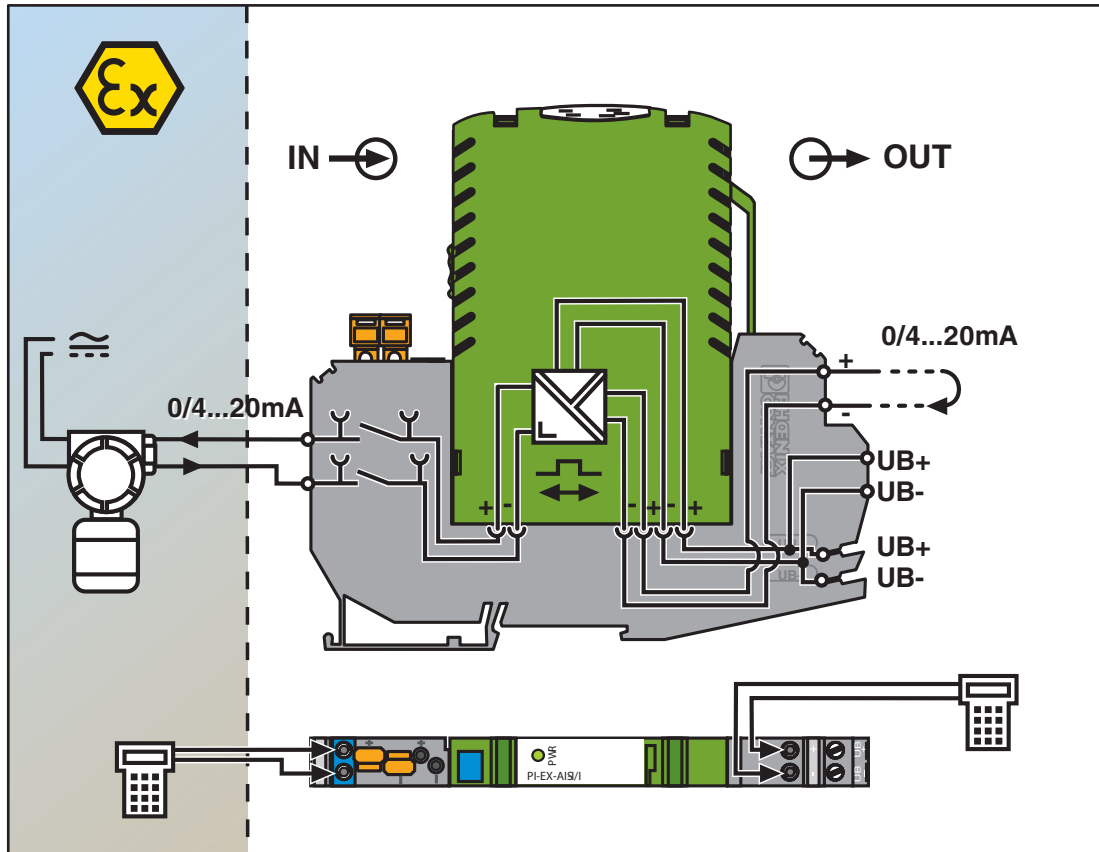
# PI-EX-AIS-I/I - Signal isolator

2835626

<https://www.phoenixcontact.com/us/products/2835626>



Block diagram



# PI-EX-AIS-I/I - Signal isolator

2835626

<https://www.phoenixcontact.com/us/products/2835626>



## Environmental product compliance

EU REACH SVHC

REACH candidate substance (CAS No.)	
-------------------------------------	--

	No substance above 0.1 wt%
--	----------------------------

Phoenix Contact 2026 © - all rights reserved

<https://www.phoenixcontact.com>

Phoenix Contact USA  
586 Fulling Mill Road  
Middletown, PA 17057, United States  
(+717) 944-1300  
[info@phoenixcon.com](mailto:info@phoenixcon.com)