

PI-EX-IDS-I/I - Signal isolator

2835613

<https://www.phoenixcontact.com/us/products/2835613>

Please be informed that the data shown in this PDF document is generated from our online catalog. Please find the complete data in the user documentation. Our general terms of use for downloads are valid.



Ex i output signal conditioner, HART-transparent. Isolates and transmits intrinsically safe 0/4 mA ... 20 mA signals to a load (I/P converters, regulating valves, displays) in the Ex area. 3-way electrical isolation (input/output/supply). Line fault detection.

Commercial data

Item number	2835613
Packing unit	1 pc
Sales key	C430
Product key	DK1XXX
GTIN	4017918934149
Weight per piece (including packing)	119 g
Weight per piece (excluding packing)	113.4 g
Customs tariff number	85437090
Country of origin	DE

Technical data

Notes

Order information:	The electronics module is plugged into a basic terminal block.
--------------------	--

Product properties

Product type	Signal conditioner
Application	Analog OUT
No. of channels	1

Electrical properties

Electrical isolation	3-way isolation
Electrical isolation between input and output	yes
Maximum power dissipation for nominal condition	< 1.2 W
Step response (10-90%)	< 140 µs
Maximum temperature coefficient	< 0.01 %/K
Maximum transmission error	≤ 0.1 % (Of end value (at 20°C))

Electrical isolation Input/output

Electrical isolation	375 V (Peak value in accordance with IEC/EN 60079-11)
----------------------	---

Electrical isolation Input/power supply

Test voltage	1.5 kV AC (50 Hz, 60 s)
--------------	-------------------------

Electrical isolation Output/supply

Electrical isolation	375 V (Peak value in accordance with IEC/EN 60079-11)
----------------------	---

Supply

Supply voltage range	20 V DC ... 35 V DC
Max. current consumption	< 15 mA (At 24 V DC / 0 mA) < 48 mA (at 24 V DC / 20 mA)
Power consumption	max. 1.2 W (At 24 V DC / 20 mA)

Input data

Signal: Current

Number of inputs	1
Current input signal	4 mA ... 20 mA 0 mA ... 20 mA

Output data

Signal

Output description	intrinsically safe
Number of outputs	1
Current output signal	4 mA ... 20 mA 0 mA ... 20 mA

PI-EX-IDS-I/I - Signal isolator

2835613

<https://www.phoenixcontact.com/us/products/2835613>

Load/output load current output	$\leq 800 \Omega$
Output ripple (current)	$< 50 \mu A_{PP}$ (For 800Ω)

Connection data

Connection method	Screw connection
-------------------	------------------

Ex data

Safety data

Max. inductance L_i	0.1 mH
Max. capacitance C_i	5 nF
Max. output voltage U_o	27.7 V
Max. output current I_o	92 mA
Max. output power P_o	638 mW
Safety-related maximum voltage U_m	250 V AC
IIB (The maximum values should be used either solely as concentrated capacitance values or solely as concentrated inductance values, or as cable reactance values): Max. external inductivity L_o / Max. external capacitance C_o	15 mH / 658 nF
IIB (The maximum values should also be used as concentrated capacitance values and concentrated inductance values.): Max. external inductivity L_o / Max. external capacitance C_o	1.9 mH / 295 nF

Safety data

IIC (The maximum values should be used either solely as concentrated capacitance values or solely as concentrated inductance values, or as cable reactance values): Max. external inductivity L_o / Max. external capacitance C_o	1.2 mH / 80 nF
IIC (The maximum values should also be used as concentrated capacitance values and concentrated inductance values.): Max. external inductivity L_o / Max. external capacitance C_o	0.4 mH / 64 nF

Interfaces

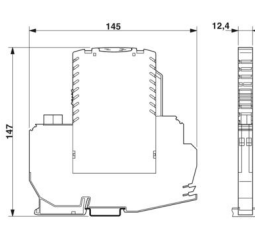
Data communication (bypass)

HART function	Yes
Protocols supported	HART-transparent

Signaling

Status display	LED supply voltage, PWR (green)
----------------	---------------------------------

Dimensions

Dimensional drawing	
---------------------	--

PI-EX-IDS-I/I - Signal isolator



2835613

<https://www.phoenixcontact.com/us/products/2835613>

Width	12.4 mm
Height	145 mm
Depth	147 mm

Material specifications

Color	green (RAL 6021)
Flammability rating according to UL 94	V0
Housing material	PBT and polyamide PA non-reinforced

Environmental and real-life conditions

Ambient conditions

Degree of protection	IP20
Ambient temperature (operation)	-20 °C ... 55 °C (see data sheet)
Ambient temperature (storage/transport)	-40 °C ... 80 °C
Permissible humidity (operation)	5 % ... 95 % (non-condensing)

Approvals

CE

Certificate	CE-compliant
-------------	--------------

ATEX

Identification	Ⓜ II (1) G [Ex ia Ga] IIC
	Ⓜ II (1) D [Ex ia Da] IIIC
	Ⓜ II 3 G Ex nA IIC T4 Gc
Certificate	PxCIF07ATEX2835613X

UL, USA/Canada

Identification	applied for
----------------	-------------

EAC Ex

Identification	Ⓜ [Ex ia Ga] IIC
Certificate	RU C-DE.AB72.B.00097/19

Standards and regulations

Electrical isolation	3-way isolation
----------------------	-----------------

Standards

Standards/regulations	NAMUR recommendation NE 21
-----------------------	----------------------------

PI-EX-IDS-I/I - Signal isolator

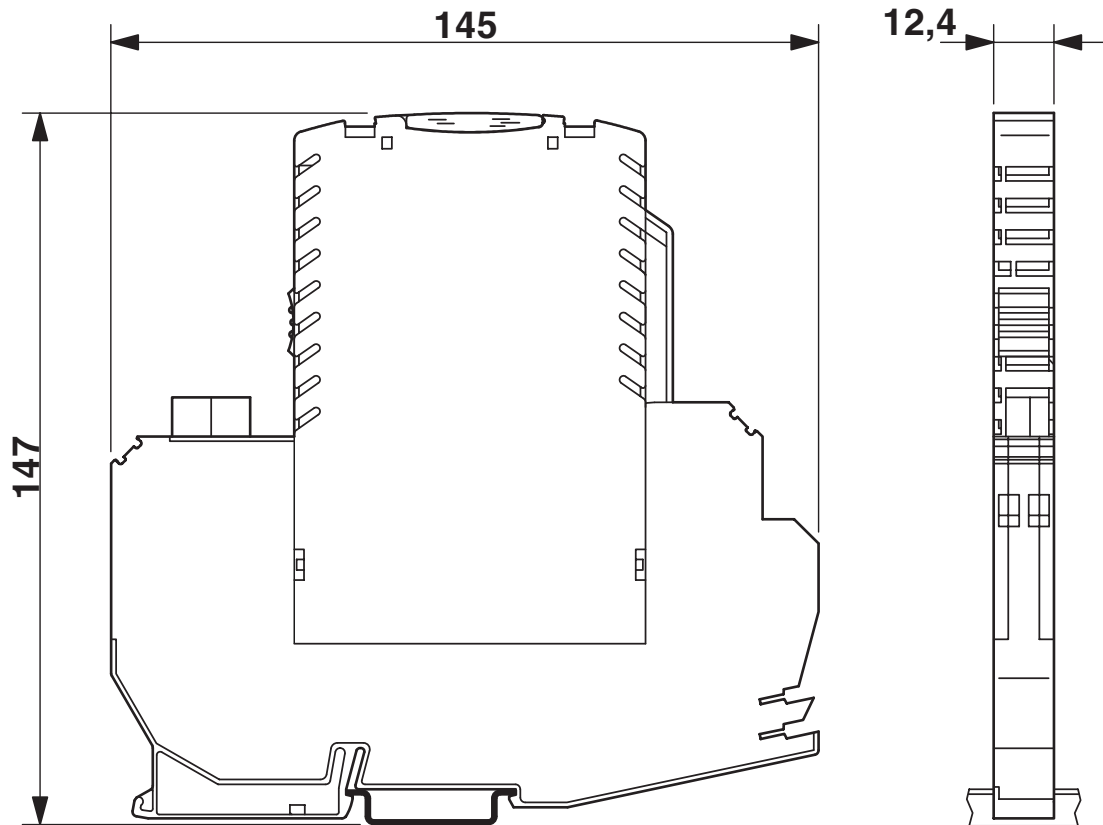
2835613

<https://www.phoenixcontact.com/us/products/2835613>



Drawings

Dimensional drawing



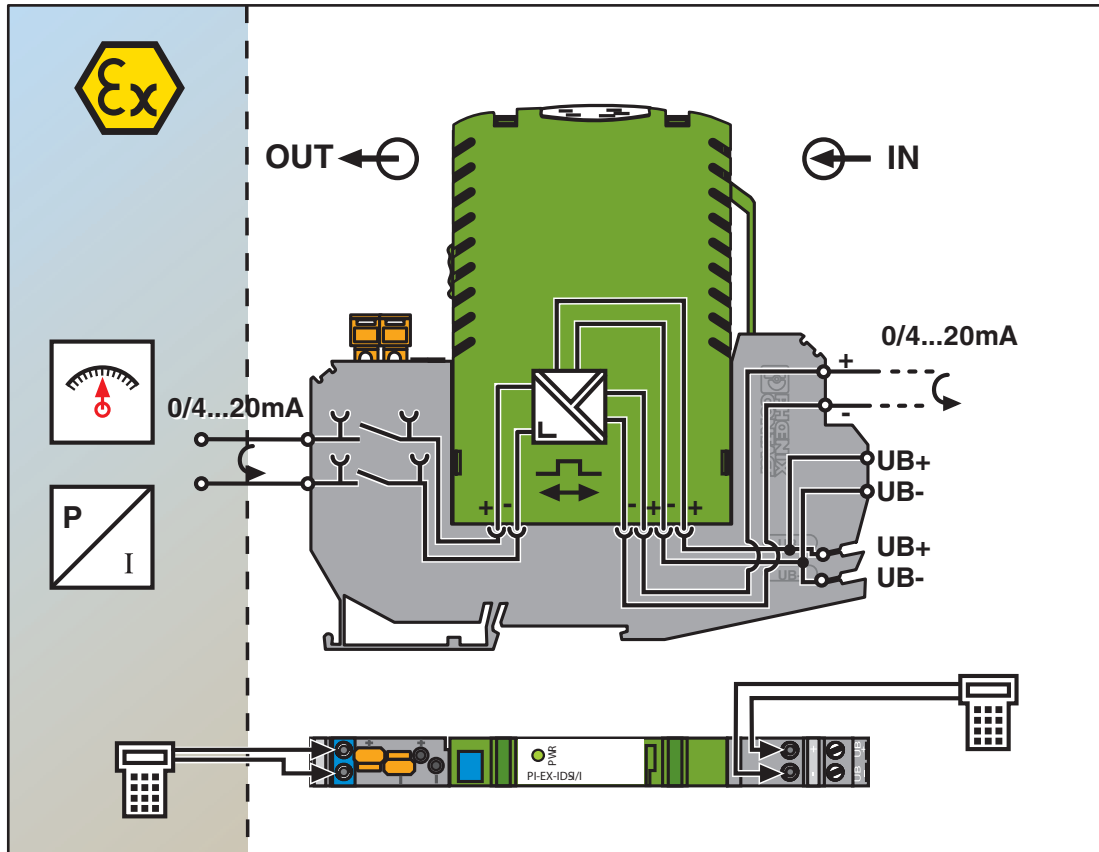
PI-EX-IDS-I/I - Signal isolator

2835613

<https://www.phoenixcontact.com/us/products/2835613>



Block diagram



PI-EX-IDS-I/I - Signal isolator



2835613

<https://www.phoenixcontact.com/us/products/2835613>

Classifications

ECLASS

ECLASS-13.0

27210120

ETIM

ETIM 9.0

EC002653

UNSPSC

UNSPSC 21.0

39121000

PI-EX-IDS-I/I - Signal isolator



2835613

<https://www.phoenixcontact.com/us/products/2835613>

Environmental product compliance

EU RoHS

Fulfills EU RoHS substance requirements	Yes
Exemption	7(a), 7(c)-I

China RoHS

Environment friendly use period (EFUP)	EFUP-50
	An article-related China RoHS declaration table can be found in the download area for the respective article under "Manufacturer declaration". For all articles with EFUP-E, no China RoHS declaration table issued and required.

EU REACH SVHC

REACH candidate substance (CAS No.)	Lead(CAS: 7439-92-1)
SCIP	d109ec19-15cd-4e92-8c57-72189b7dc1d2

Phoenix Contact 2026 © - all rights reserved

<https://www.phoenixcontact.com>

Phoenix Contact USA
586 Fulling Mill Road
Middletown, PA 17057, United States
(+717) 944-1300
info@phoenixcon.com