

# PI-EX-ME-2NAM/COC- 24VDC - Signal isolator



2835493

<https://www.phoenixcontact.com/us/products/2835493>

Please be informed that the data shown in this PDF document is generated from our online catalog. Please find the complete data in the user documentation. Our general terms of use for downloads are valid.



NAMUR switching amplifier, 2-channel, input: intrinsic safety, output: relay, changeover contact, input voltage: 24 V DC supply

## Commercial data

|                                      |                                |
|--------------------------------------|--------------------------------|
| Item number                          | 2835493                        |
| Packing unit                         | 1 pc                           |
| Note                                 | Made to order (non-returnable) |
| Sales key                            | C430                           |
| Product key                          | DK1XXX                         |
| GTIN                                 | 4017918181222                  |
| Weight per piece (including packing) | 180.6 g                        |
| Weight per piece (excluding packing) | 179.555 g                      |
| Customs tariff number                | 85438995                       |
| Country of origin                    | DE                             |

## Technical data

### Product properties

|                 |                    |
|-----------------|--------------------|
| Product type    | Signal conditioner |
| Application     | Digital IN         |
| No. of channels | 2                  |

### Electrical properties

|                           |                                  |
|---------------------------|----------------------------------|
| Limit frequency (3 dB)    | 20 Hz (max. switching frequency) |
| Test voltage input/output | 1.5 kV AC (50 Hz, 60 s)          |

### Electrical isolation Input/output/power supply

|                      |   |
|----------------------|---|
| Electrical isolation | 375 V (Peak value, in acc. with EN 50020) |
|----------------------|---|

### Supply

|                          |                      |
|--------------------------|----------------------|
| Supply voltage range     | 20 V DC ... 30 V DC  |
| Max. current consumption | < 50 mA (24 V DC)    |
| Power consumption        | 0.55 W (per channel) |

### Input data

#### Signal: NAMUR

|   |  |
|---|--|
| Description of the input                | intrinsically safe                               |
| Available input sources                 | NAMUR proximity sensors (IEC/EN 60947-5-6)       |
|   | floating switch contacts                         |
|   | Switch contacts with resistance circuit          |
| Switching threshold "0" signal current  | < 1.55 mA (blocking)                             |
| Switching threshold "1" signal, current | > 1.75 mA (conductive)                           |
| Line fault detection                    | Can be disconnected by bridging X1, X2 or X5, X6 |
| Open-circuit voltage                    | 8.5 V DC   |

### Output data

#### Switching: Relay

|                                       |  |
|---------------------------------------|--|
| Configurable/programmable             | Can be inverted via a switch in the front of the housing |
| Contact switching type                | 1 changeover contact per channel                         |
| Limiting continuous current           | 5 A (250 V AC)   |
|                                       | 2 A (100 V DC)   |
| Min. switching current                | 1 mA   |
| Interrupting rating (ohmic load) max. | 100 VA (250 V AC)  |
|                                       | 50 W (100 V DC)  |
| Frequency                             | 20 Hz  |

#### Signal

|                    |  |
|--------------------|--|
| Switching behavior | can be inverted via a switch in the front of the housing |
|--------------------|--|

# PI-EX-ME-2NAM/COC- 24VDC - Signal isolator



2835493

<https://www.phoenixcontact.com/us/products/2835493>

## Connection data

|                                  |   |
|----------------------------------|---|
| Connection method                | Pluggable screw connection                  |
| Stripping length                 | 8 mm  |
| Screw thread                     | M3  |
| Conductor cross-section rigid    | 0.2 mm <sup>2</sup> ... 2.5 mm <sup>2</sup> |
| Conductor cross-section flexible | 0.2 mm <sup>2</sup> ... 2.5 mm <sup>2</sup> |
| Conductor cross-section AWG      | 24 ... 14                                   |
| Tightening torque                | 0.5 Nm ... 0.6 Nm                           |

## Ex data

### Safety data

|  |                       |
|--|-----------------------|
| Max. output voltage $U_o$  | 10.5 V                |
| Max. output current $I_o$  | 26 mA                 |
| Max. output power $P_o$  | 67 mW                 |
| Safety-related maximum voltage $U_m$                                   | 250 V                 |
| IIB: Max. external inductivity $L_o$ / Max. external capacitance $C_o$ | 160 mH / 16.8 $\mu$ F |
| IIC: Max. external inductivity $L_o$ / Max. external capacitance $C_o$ | 45 mH / 2.41 $\mu$ F  |

## Signaling

|                |                              |
|----------------|------------------------------|
| Status display | Green LED (supply voltage)   |
|                | LED yellow (switching state) |
|                | Red LED (line errors)        |

## Dimensions

|                     |          |
|---------------------|----------|
| Dimensional drawing |          |
| Width               | 22.5 mm  |
| Height              | 99 mm    |
| Depth               | 114.5 mm |

## Material specifications

|  |                             |
|--|-----------------------------|
| Color                                  | green (RAL 6021)            |
| Flammability rating according to UL 94 | V0                          |
| Housing material                       | Polyamide PA non-reinforced |

## Environmental and real-life conditions

### Ambient conditions

|                                 |                  |
|---------------------------------|------------------|
| Ambient temperature (operation) | -20 °C ... 60 °C |
|---------------------------------|------------------|

# PI-EX-ME-2NAM/COC- 24VDC - Signal isolator



2835493

<https://www.phoenixcontact.com/us/products/2835493>

|   |                                       |
|---|---------------------------------------|
| Ambient temperature (storage/transport) | -25 °C ... 80 °C                      |
| Permissible humidity (operation)        | ≤ 75 % (annual average)               |
|   | ≤ 95 % (30 days/year, non-condensing) |

## Approvals

### CE

|             |              |
|-------------|--------------|
| Certificate | CE-compliant |
|-------------|--------------|

### ATEX

|                |                  |
|----------------|------------------|
| Identification | ⊕ II (1)GD       |
|                | [EEx ia] IIC     |
| Certificate    | TÜV 00 ATEX 1528 |

### UL, USA/Canada

|                |       |
|----------------|-------|
| Identification | cULus |
|----------------|-------|

## Standards and regulations

### Standards

|                       |                            |
|-----------------------|----------------------------|
| Standards/regulations | NAMUR recommendation NE 21 |
|-----------------------|----------------------------|

# PI-EX-ME-2NAM/COC- 24VDC - Signal isolator

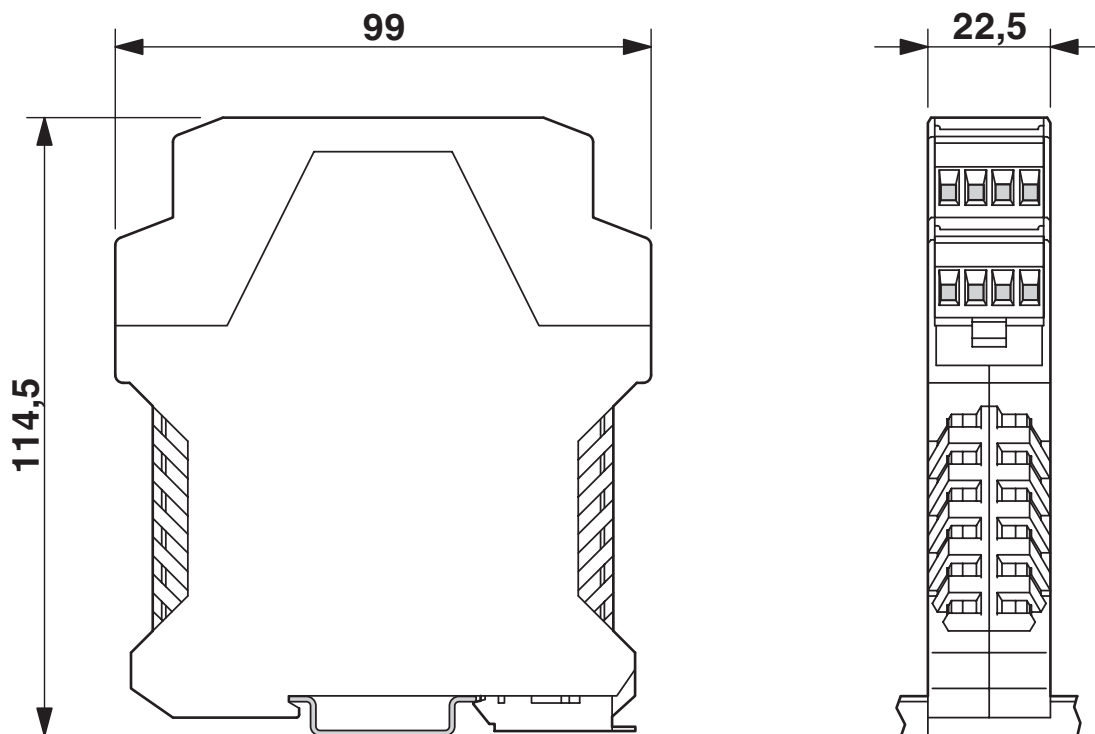
2835493

<https://www.phoenixcontact.com/us/products/2835493>



## Drawings

Dimensional drawing



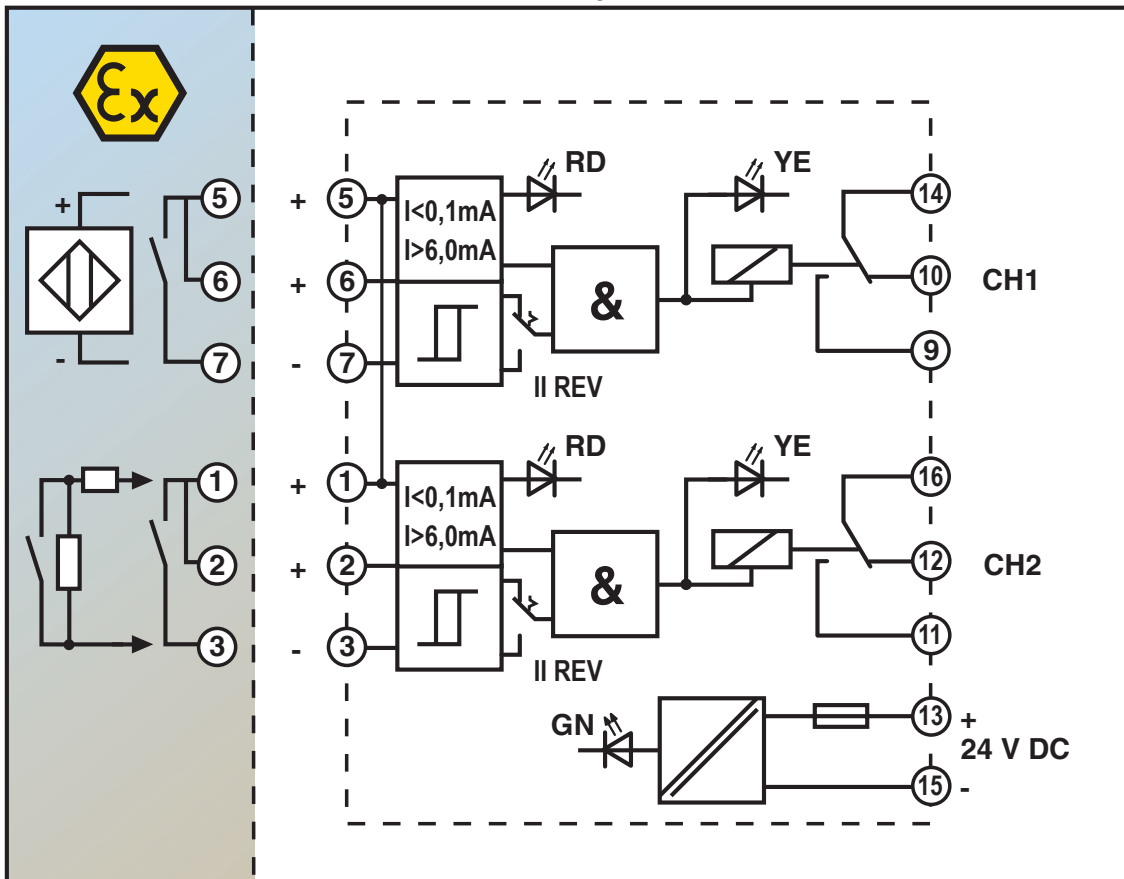
# PI-EX-ME-2NAM/COC- 24VDC - Signal isolator



2835493

<https://www.phoenixcontact.com/us/products/2835493>

Block diagram



Block diagram PI-EX-ME-2NAM/COC-24VDC

# PI-EX-ME-2NAM/COC- 24VDC - Signal isolator



2835493

<https://www.phoenixcontact.com/us/products/2835493>

## Environmental product compliance

EU REACH SVHC

| REACH candidate substance (CAS No.) |  |
|-------------------------------------|--|
|-------------------------------------|--|

|  |                            |
|--|----------------------------|
|  | No substance above 0.1 wt% |
|--|----------------------------|

Phoenix Contact 2026 © - all rights reserved

<https://www.phoenixcontact.com>

Phoenix Contact USA  
586 Fulling Mill Road  
Middletown, PA 17057, United States  
(+717) 944-1300  
[info@phoenixcon.com](mailto:info@phoenixcon.com)