

PI-EX-ME-SD/24/65-C - Signal isolator



2835477

<https://www.phoenixcontact.com/us/products/2835477>

Please be informed that the data shown in this PDF document is generated from our online catalog. Please find the complete data in the user documentation. Our general terms of use for downloads are valid.

Valve control block, loop-powered, output: intrinsically safe



Commercial data

Item number	2835477
Packing unit	1 pc
Note	Made to order (non-returnable)
Sales key	NULL
Product key	DK1XXX
GTIN	4017918181208
Weight per piece (including packing)	135.6 g
Weight per piece (excluding packing)	112.72 g
Customs tariff number	85438995
Country of origin	DE

Technical data

Product properties

Product type	Signal conditioner
Application	Digital OUT
No. of channels	1

Electrical properties

Test voltage input/output	2.5 kV AC
Step response (10-90%)	20 ms

Electrical isolation Input/output

Electrical isolation	375 V (Peak value, in acc. with EN 50020)
----------------------	-------------------------------------------

Supply

Supply voltage range	no separate supply voltage necessary
Power consumption	approx. 1 W (with power matching of the output circuit)

Input data

Signal

Voltage input signal	18 V DC ... 30 V DC (from the control circuit)
----------------------	------------------------------------------------

Output data

Signal: Voltage

Output description	intrinsically safe
Output voltage	24 V (Guaranteed voltage U_o)
Output resistor	370 Ω (Internal resistance R_i)
Response time	20 ms

Connection data

Connection method	Pluggable screw terminal block
Stripping length	8 mm
Screw thread	M3
Conductor cross-section rigid	0.2 mm ² ... 2.5 mm ²
Conductor cross-section flexible	0.2 mm ² ... 2.5 mm ²
Conductor cross-section AWG	24 ... 14
Tightening torque	0.5 Nm ... 0.6 Nm

Ex data

Safety data

Max. output voltage U_o	27.3 V
Max. output current I_o	96 mA
Max. output power P_o	650 mW

PI-EX-ME-SD/24/65-C - Signal isolator



2835477

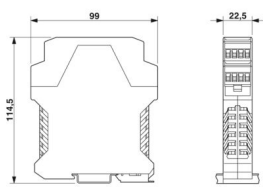
<https://www.phoenixcontact.com/us/products/2835477>

Safety-related maximum voltage U_m	250 V
IIB: Max. external inductivity L_o / Max. external capacitance C_o	13.5 mH / 0.683 μ F
IIC: Max. external inductivity L_o / Max. external capacitance C_o	2 mH / 0.088 μ F

Signaling

Status display	LED yellow (switching state)
----------------	------------------------------

Dimensions

Dimensional drawing	
Width	22.5 mm
Height	99 mm
Depth	114.5 mm

Material specifications

Color	green (RAL 6021)
Flammability rating according to UL 94	V0
Housing material	Polyamide PA non-reinforced

Environmental and real-life conditions

Ambient conditions

Ambient temperature (operation)	-20 °C ... 60 °C
Ambient temperature (storage/transport)	-25 °C ... 80 °C
Permissible humidity (operation)	≤ 75 % (annual average)
	≤ 95 % (30 days/year, non-condensing)

Approvals

CE

Certificate	CE-compliant
-------------	--------------

ATEX

Identification	⊕ II (1)GD
	[EEx ia] IIC
Certificate	TÜV 00 ATEX 1526

UL, USA/Canada

Identification	cULus
----------------	-------

Standards and regulations

PI-EX-ME-SD/24/65-C - Signal isolator



2835477

<https://www.phoenixcontact.com/us/products/2835477>

Standards

Standards/regulations

NAMUR recommendation NE 21

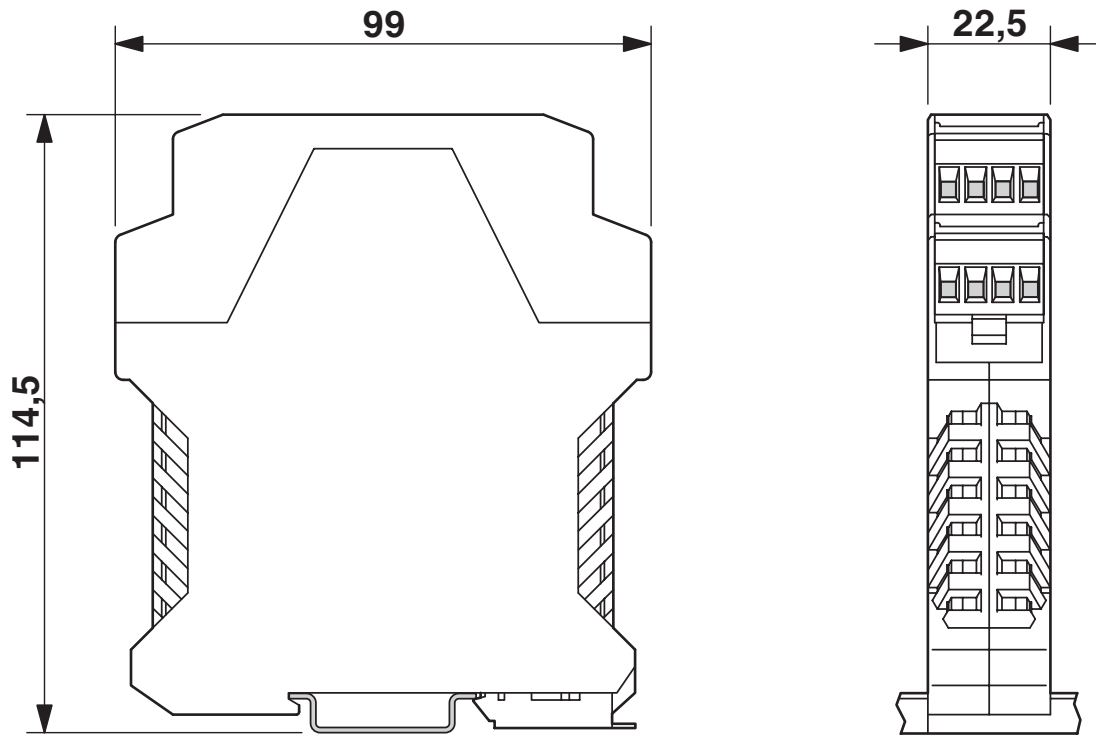
PI-EX-ME-SD/24/65-C - Signal isolator

2835477

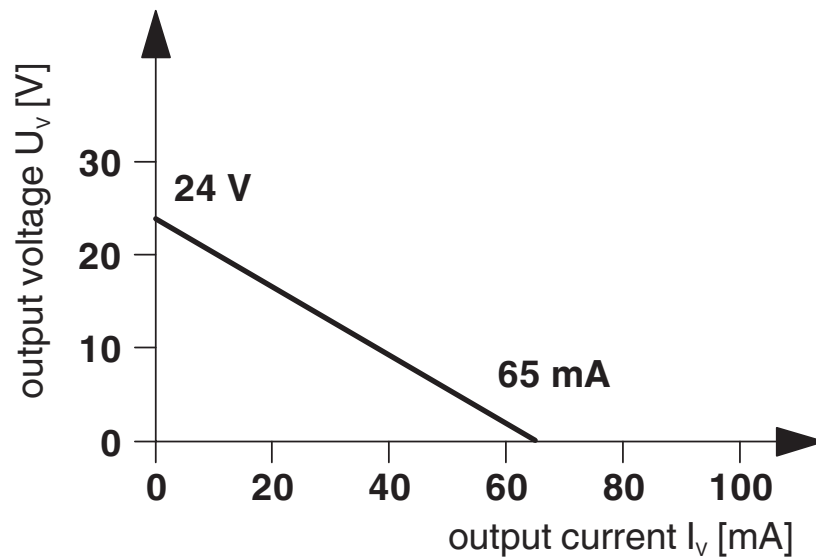
<https://www.phoenixcontact.com/us/products/2835477>

Drawings

Dimensional drawing



Diagram

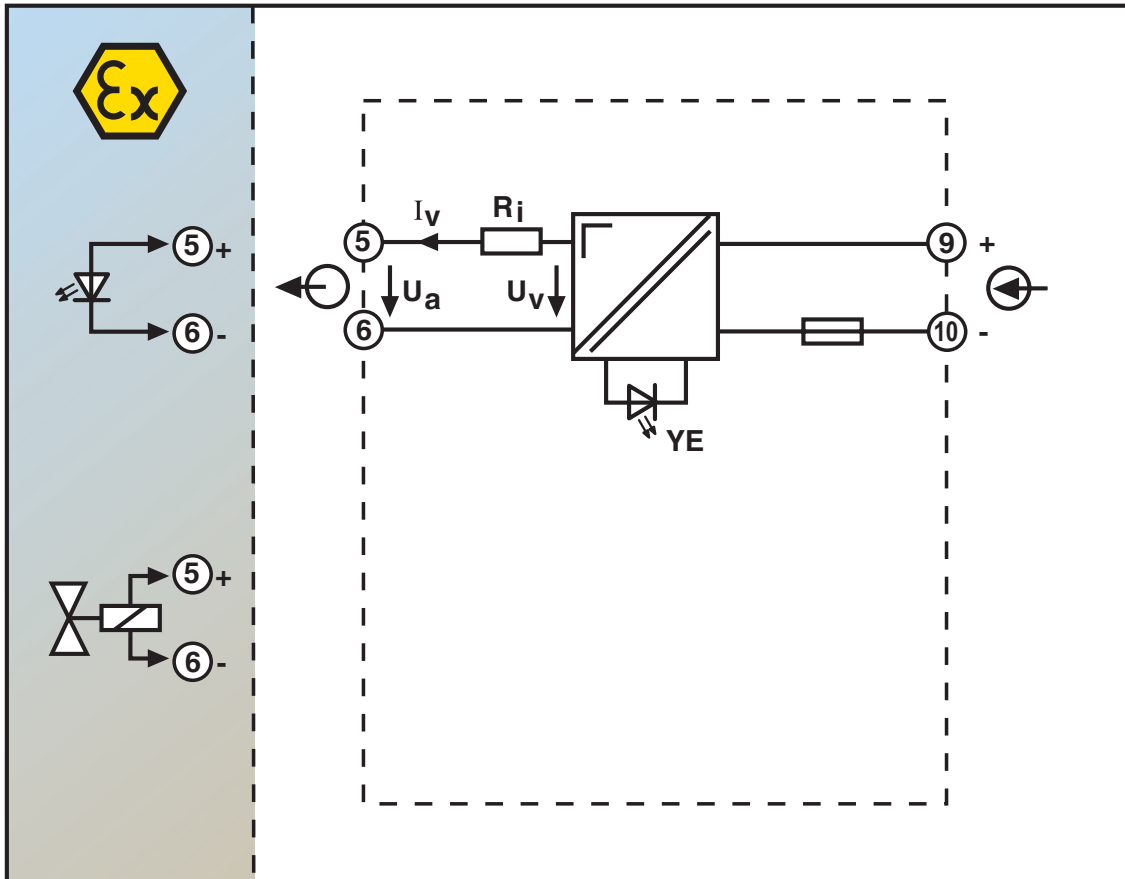


PI-EX-ME-SD/24/65-C - Signal isolator

2835477

<https://www.phoenixcontact.com/us/products/2835477>

Block diagram



Block diagram PI-EX-ME-SD/24/65-C

PI-EX-ME-SD/24/65-C - Signal isolator



2835477

<https://www.phoenixcontact.com/us/products/2835477>

Environmental product compliance

EU REACH SVHC

REACH candidate substance (CAS No.)	No substance above 0.1 wt%
-------------------------------------	----------------------------

Phoenix Contact 2026 © - all rights reserved

<https://www.phoenixcontact.com>

Phoenix Contact USA
586 Fulling Mill Road
Middletown, PA 17057, United States
(+717) 944-1300
info@phoenixcon.com