

# PI-EX-ME-2IDL-IP-I - Signal isolator



2835464

<https://www.phoenixcontact.com/us/products/2835464>

Please be informed that the data shown in this PDF document is generated from our online catalog. Please find the complete data in the user documentation. Our general terms of use for downloads are valid.



Passive output isolator (analog OUT), 2-channel, output: intrinsically safe, input signal: 0(4) ... 20 mA, output signal: 0(4) ... 20 mA

## Commercial data

Item number	2835464
Packing unit	1 pc
Note	Made to order (non-returnable)
Sales key	C430
Product key	DK1XXX
GTIN	4017918181192
Weight per piece (including packing)	229.7 g
Weight per piece (excluding packing)	202.2 g
Customs tariff number	85438995
Country of origin	DE

# PI-EX-ME-2IDLPI-I/I - Signal isolator



2835464

<https://www.phoenixcontact.com/us/products/2835464>

## Technical data

### Product properties

Product type	Signal conditioner
Application	Analog OUT
No. of channels	2

### Electrical properties

Line monitoring	NE 21
Linearity error	< 0.1 % (of final value)
Test voltage input/output	1.5 kV AC (50 Hz, 60 s)
Maximum temperature coefficient	< 0.01 %/K

### Electrical isolation Input/output

Electrical isolation	375 V (Peak value, in acc. with EN 50020)
----------------------	---

### Supply

Designation	passive
Nominal supply voltage	$8.4 \text{ V} + 0.02 \times \text{load} \times (\text{V}/\Omega)$
Supply voltage range	8.4 V DC ... 30 V DC (from the current loop of the input, no separate auxiliary power supply necessary)

### Input data

#### Signal

Description of the input	Current input
Available input sources	Current
Current input signal	0 mA ... 20 mA 4 mA ... 20 mA
Voltage dissipation	8.4 V (input voltage: $U_1 = 8.4 \text{ V} + 0.02 \times \text{load} \times (\text{V}/\Omega)$ )

### Output data

#### Signal

Output description	intrinsically safe
Current output signal	0 mA ... 20 mA 4 mA ... 20 mA
Load/output load current output	500 $\Omega$

### Connection data

Connection method	Pluggable screw connection
Stripping length	8 mm
Screw thread	M3
Conductor cross-section rigid	0.2 mm <sup>2</sup> ... 2.5 mm <sup>2</sup>
Conductor cross-section flexible	0.2 mm <sup>2</sup> ... 2.5 mm <sup>2</sup>
Conductor cross-section AWG	24 ... 14

# PI-EX-ME-2IDLPI-I - Signal isolator

2835464

<https://www.phoenixcontact.com/us/products/2835464>

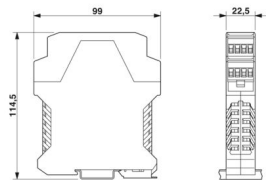
Tightening torque	0.5 Nm ... 0.6 Nm
-------------------	-------------------

## Ex data

### Safety data

Max. output voltage $U_o$	12.6 V
Max. output current $I_o$	95 mA
Max. output power $P_o$	475 mW
Safety-related maximum voltage $U_m$	250 V
IIB: Max. external inductivity $L_o$ / Max. external capacitance $C_o$	5 mH / 1.06 $\mu$ F
IIC: Max. external inductivity $L_o$ / Max. external capacitance $C_o$	1.5 mH / 0.38 $\mu$ F

## Dimensions

Dimensional drawing	
Width	22.5 mm
Height	99 mm
Depth	114.5 mm

## Material specifications

Color	green (RAL 6021)
Flammability rating according to UL 94	V0
Housing material	Polyamide PA non-reinforced

## Environmental and real-life conditions

### Ambient conditions

Ambient temperature (operation)	-20 °C ... 60 °C
Ambient temperature (storage/transport)	-25 °C ... 80 °C
Permissible humidity (operation)	$\leq 75$ % (annual average)
	$\leq 95$ % (30 days/year, non-condensing)

## Approvals

### CE

Certificate	CE-compliant
-------------	--------------

### ATEX

Identification	⊕ II (1)GD
	[EEx ia] IIC
Certificate	TÜV 00 ATEX 1525

# PI-EX-ME-2IDLPI-I/I - Signal isolator



2835464

<https://www.phoenixcontact.com/us/products/2835464>

UL, USA/Canada

Identification	cULus
----------------	-------

## Standards and regulations

Standards

Standards/regulations	NAMUR recommendation NE 21
-----------------------	----------------------------

# PI-EX-ME-2IDLDP-I/I - Signal isolator

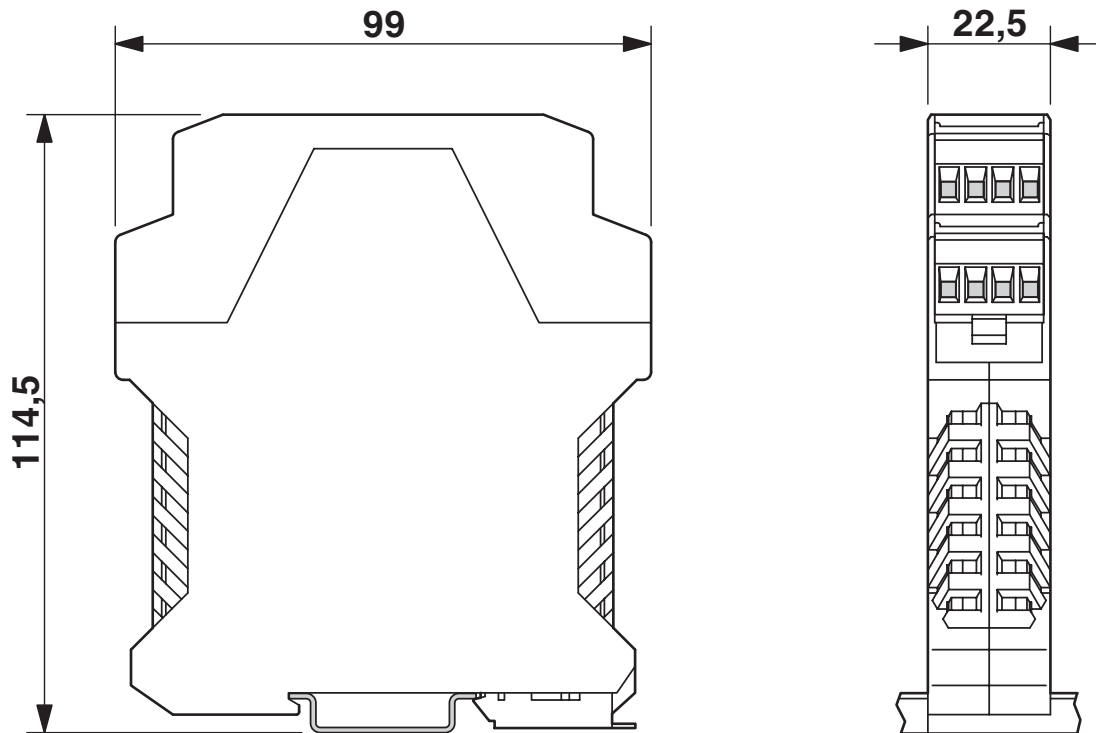
2835464

<https://www.phoenixcontact.com/us/products/2835464>



## Drawings

Dimensional drawing

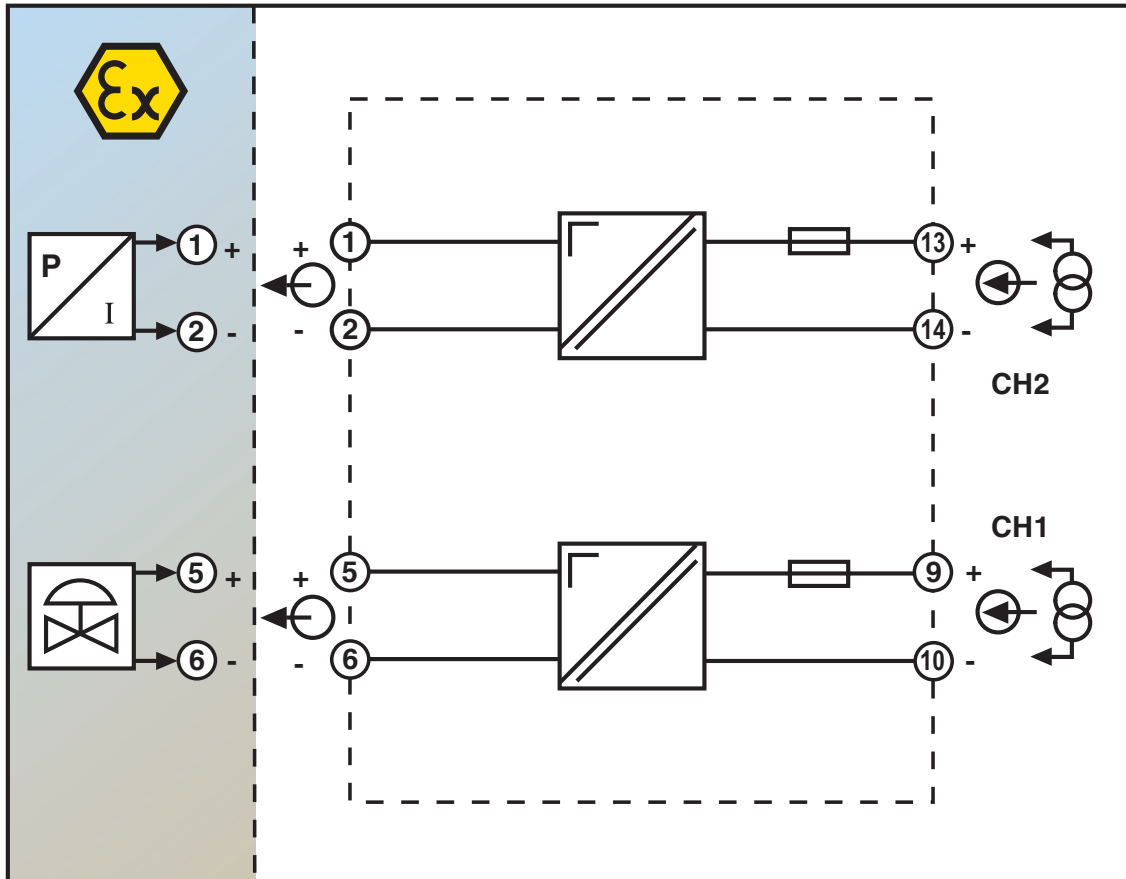


# PI-EX-ME-2IDLP-I/I - Signal isolator

2835464

<https://www.phoenixcontact.com/us/products/2835464>

Block diagram



Block diagram PI-EX-ME-2IDLP-I/I

# PI-EX-ME-2IDLPI-I/I - Signal isolator



2835464

<https://www.phoenixcontact.com/us/products/2835464>

## Environmental product compliance

EU REACH SVHC

REACH candidate substance (CAS No.)	No substance above 0.1 wt%
-------------------------------------	----------------------------

Phoenix Contact 2026 © - all rights reserved

<https://www.phoenixcontact.com>

Phoenix Contact USA  
586 Fulling Mill Road  
Middletown, PA 17057, United States  
(+717) 944-1300  
[info@phoenixcon.com](mailto:info@phoenixcon.com)