

# PI-EX-ME-IDS-I/I - Signal isolator



2835451

<https://www.phoenixcontact.com/us/products/2835451>

Please be informed that the data shown in this PDF document is generated from our online catalog. Please find the complete data in the user documentation. Our general terms of use for downloads are valid.



Output isolator, SMART, (analog OUT), output: intrinsically safe, input signal: 0(4) ... 20 mA, output signal: 0(4) ... 20 mA

## Commercial data

Item number	2835451
Packing unit	1 pc
Note	Made to order (non-returnable)
Sales key	NULL
Product key	DK1XXX
GTIN	4017918181185
Weight per piece (including packing)	186 g
Weight per piece (excluding packing)	155.81 g
Customs tariff number	85438995
Country of origin	DE

# PI-EX-ME-IDS-I/I - Signal isolator



2835451

<https://www.phoenixcontact.com/us/products/2835451>

## Technical data

### Product properties

Product type	Signal conditioner
Application	Analog OUT
No. of channels	1

### Electrical properties

Test voltage input/output	1.5 kV AC (50 Hz, 60 s)
Step response (10-90%)	2.2 ms
Maximum temperature coefficient	< 0.01 %/K
Maximum transmission error	≤ 0.1 % (of final value)

### Supply

Supply voltage range	20 V DC ... 30 V DC
Max. current consumption	< 60 mA (at 24 V DC/20 mA)
Power consumption	< 1.4 W

### Input data

#### Signal

Description of the input	Current input
Current input signal	0 mA ... 20 mA
	4 mA ... 20 mA
Input voltage limitation	5 V (at 50 mA)
Input resistance current input	250 Ω (dynamic)
	50 Ω (static)

### Output data

#### Signal

Output description	intrinsically safe
Current output signal	0 mA ... 20 mA
	4 mA ... 20 mA
Load/output load current output	750 Ω

### Connection data

Connection method	Pluggable screw connection
Stripping length	8 mm
Screw thread	M3
Conductor cross-section rigid	0.2 mm <sup>2</sup> ... 2.5 mm <sup>2</sup>
Conductor cross-section flexible	0.2 mm <sup>2</sup> ... 2.5 mm <sup>2</sup>
Conductor cross-section AWG	24 ... 14
Tightening torque	0.5 Nm ... 0.6 Nm

# PI-EX-ME-IDS-I/I - Signal isolator

2835451

<https://www.phoenixcontact.com/us/products/2835451>

## Ex data

### Safety data

Max. output voltage $U_o$	27.3 V
Max. output current $I_o$	93 mA
Max. output power $P_o$	635 mW
Safety-related maximum voltage $U_m$	250 V
IIB: Max. external inductivity $L_o$ / Max. external capacitance $C_o$	14.8 mH / 683 nF
IIC: Max. external inductivity $L_o$ / Max. external capacitance $C_o$	2.2 mH / 88 nF

## Interfaces

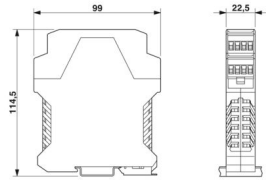
### Data communication (bypass)

HART function	Yes
Protocols supported	HART

## Signaling

Status display	Green LED (supply voltage)
----------------	----------------------------

## Dimensions

Dimensional drawing	
Width	22.5 mm
Height	99 mm
Depth	114.5 mm

## Material specifications

Color	green (RAL 6021)
Flammability rating according to UL 94	V0
Housing material	Polyamide PA non-reinforced

## Environmental and real-life conditions

### Ambient conditions

Ambient temperature (operation)	-20 °C ... 60 °C
Ambient temperature (storage/transport)	-25 °C ... 80 °C
Permissible humidity (operation)	≤ 75 % (annual average)
	≤ 95 % (30 days/year, non-condensing)

## Approvals

# PI-EX-ME-IDS-I/I - Signal isolator



2835451

<https://www.phoenixcontact.com/us/products/2835451>

## CE

Certificate	CE-compliant
-------------	--------------

## ATEX

Identification	Ⓔ II (1)GD
	[EEx ia] IIC
Certificate	TÜV 00 ATEX 1524

## UL, USA/Canada

Identification	cULus
----------------	-------

## Standards and regulations

### Standards

Standards/regulations	NAMUR recommendation NE 21
-----------------------	----------------------------

# PI-EX-ME-IDS-I/I - Signal isolator

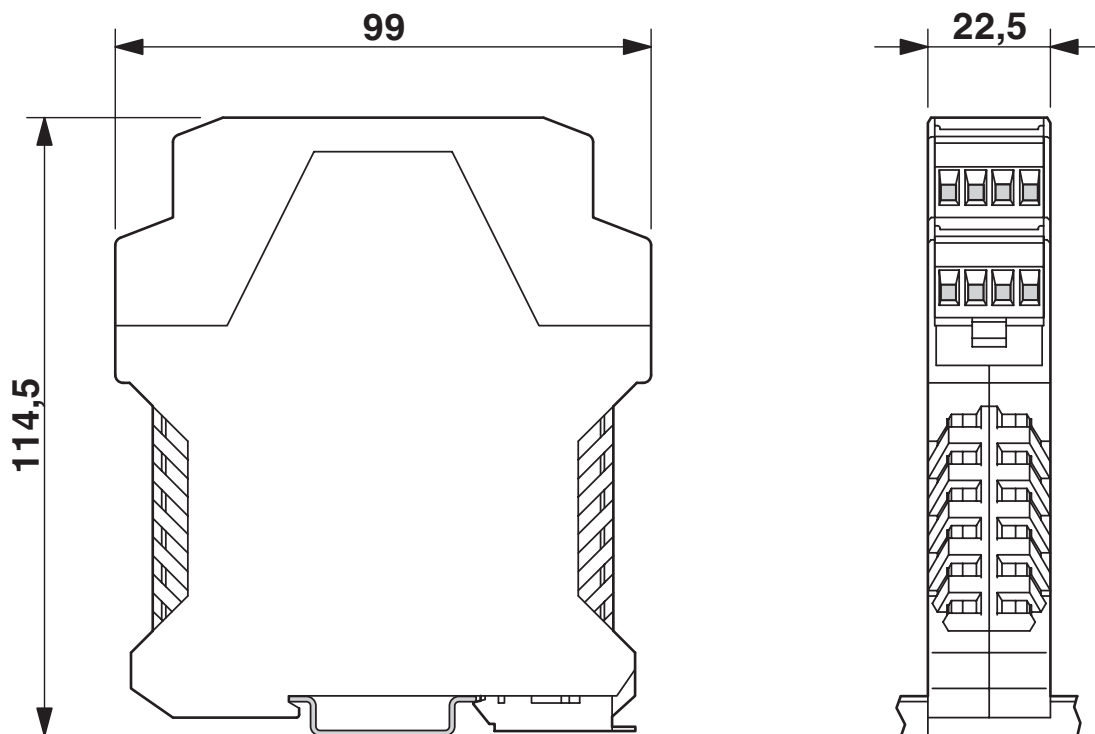
2835451

<https://www.phoenixcontact.com/us/products/2835451>



## Drawings

Dimensional drawing

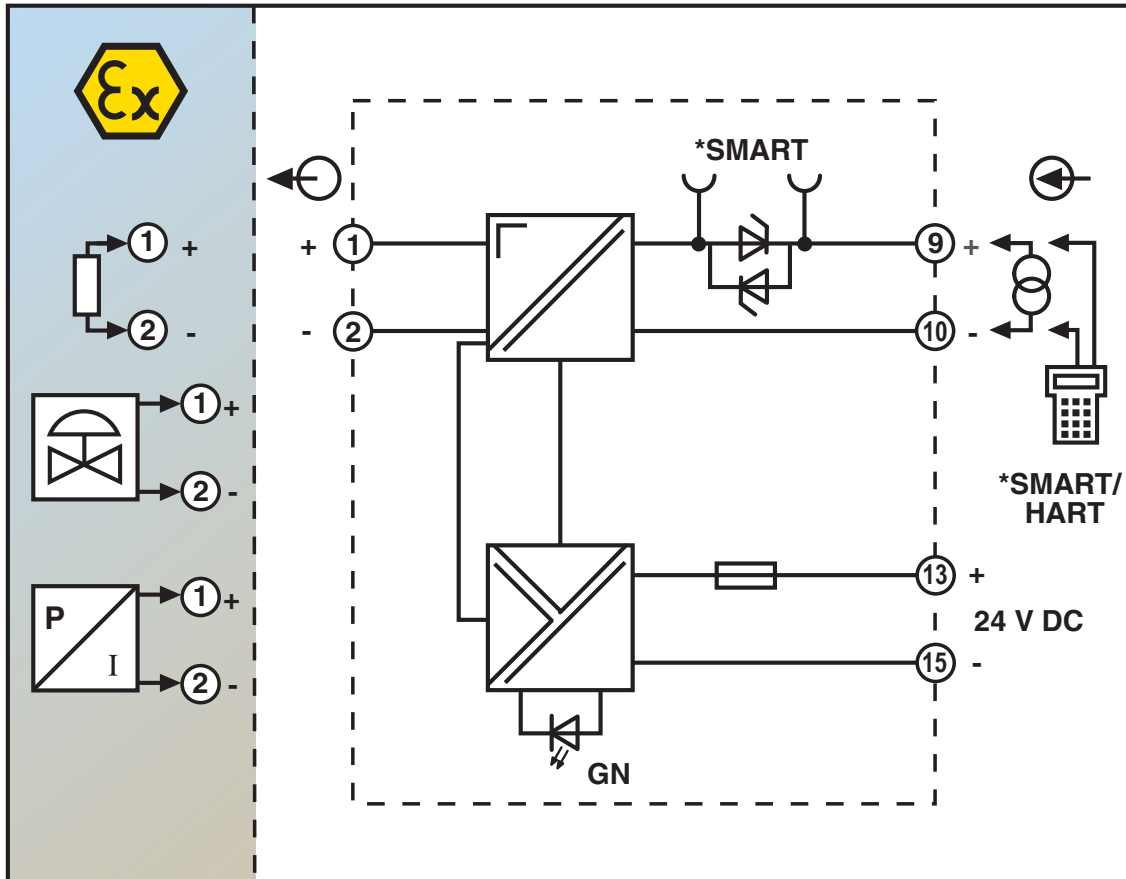


# PI-EX-ME-IDS-I/I - Signal isolator

2835451

<https://www.phoenixcontact.com/us/products/2835451>

Block diagram



Block diagram PI-EX-ME-IDS-I/I

# PI-EX-ME-IDS-I/I - Signal isolator



2835451

<https://www.phoenixcontact.com/us/products/2835451>

## Environmental product compliance

EU REACH SVHC

REACH candidate substance (CAS No.)	No substance above 0.1 wt%
-------------------------------------	----------------------------

Phoenix Contact 2026 © - all rights reserved

<https://www.phoenixcontact.com>

Phoenix Contact USA  
586 Fulling Mill Road  
Middletown, PA 17057, United States  
(+717) 944-1300  
[info@phoenixcon.com](mailto:info@phoenixcon.com)