

PI-EX-ME-ID-I/I - Signal isolator



2835448

<https://www.phoenixcontact.com/us/products/2835448>

Please be informed that the data shown in this PDF document is generated from our online catalog. Please find the complete data in the user documentation. Our general terms of use for downloads are valid.



Output isolator, (analog OUT), output: intrinsically safe, input signal: 0(4) ... 20 mA, output signal: 0(4) ... 20 mA

Commercial data

Item number	2835448
Packing unit	1 pc
Note	Made to order (non-returnable)
Sales key	NULL
Product key	DK1XXX
GTIN	4017918181178
Weight per piece (including packing)	164.4 g
Weight per piece (excluding packing)	164.4 g
Customs tariff number	85438995
Country of origin	DE

PI-EX-ME-ID-I/I - Signal isolator



2835448

<https://www.phoenixcontact.com/us/products/2835448>

Technical data

Product properties

Product type	Signal conditioner
Application	Analog OUT
No. of channels	1

Electrical properties

Line monitoring	NE 21
Test voltage input/output	1.5 kV AC (50 Hz, 60 s)
Step response (10-90%)	100 ms
Maximum temperature coefficient	< 0.01 %/K
Maximum transmission error	≤ 0.1 % (of final value)

Electrical isolation Input/output/power supply

Electrical isolation	375 V (Peak value, in acc. with EN 50020)
----------------------	---

Supply

Supply voltage range	20 V DC ... 30 V DC
Max. current consumption	< 60 mA (at 24 V DC/20 mA)
Power consumption	< 1.4 W

Input data

Signal

Description of the input	Current input
Current input signal	0 mA ... 20 mA
	4 mA ... 20 mA
Input voltage limitation	5 V (at 50 mA)
Input resistance current input	100 Ω

Output data

Signal

Output description	intrinsically safe
Current output signal	0 mA ... 20 mA
	4 mA ... 20 mA
Load/output load current output	500 Ω

Connection data

Connection method	Pluggable screw connection
Stripping length	8 mm
Screw thread	M3
Conductor cross-section rigid	0.2 mm ² ... 2.5 mm ²
Conductor cross-section flexible	0.2 mm ² ... 2.5 mm ²
Conductor cross-section AWG	24 ... 14

PI-EX-ME-ID-I/I - Signal isolator

2835448

<https://www.phoenixcontact.com/us/products/2835448>

Tightening torque	0.5 Nm ... 0.6 Nm
-------------------	-------------------

Ex data

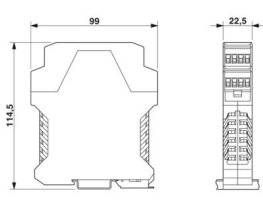
Safety data

Max. output voltage U_o	12.6 V
Max. output current I_o	87 mA
Max. output power P_o	670 mW
Safety-related maximum voltage U_m	250 V
IIB: Max. external inductivity L_o / Max. external capacitance C_o	4.5 mH / 830 nF
IIC: Max. external inductivity L_o / Max. external capacitance C_o	1.2 mH / 250 nF

Signaling

Status display	Green LED (supply voltage)
----------------	----------------------------

Dimensions

Dimensional drawing	
Width	22.5 mm
Height	99 mm
Depth	114.5 mm

Material specifications

Color	green (RAL 6021)
Flammability rating according to UL 94	V0
Housing material	Polyamide PA non-reinforced

Environmental and real-life conditions

Ambient conditions

Ambient temperature (operation)	-20 °C ... 60 °C
Ambient temperature (storage/transport)	-25 °C ... 80 °C
Permissible humidity (operation)	≤ 75 % (annual average) ≤ 95 % (30 days/year, non-condensing)

Approvals

CE

Certificate	CE-compliant
-------------	--------------

ATEX

Identification	Ⓔ II (1)GD
----------------	------------

PI-EX-ME-ID-I/I - Signal isolator



2835448

<https://www.phoenixcontact.com/us/products/2835448>

	[EEx ia] IIC
Certificate	TÜV 00 ATEX 1523

UL, USA/Canada

Identification	cULus
----------------	-------

Standards and regulations

Standards

Standards/regulations	NAMUR recommendation NE 21
-----------------------	----------------------------

PI-EX-ME-ID-I/I - Signal isolator

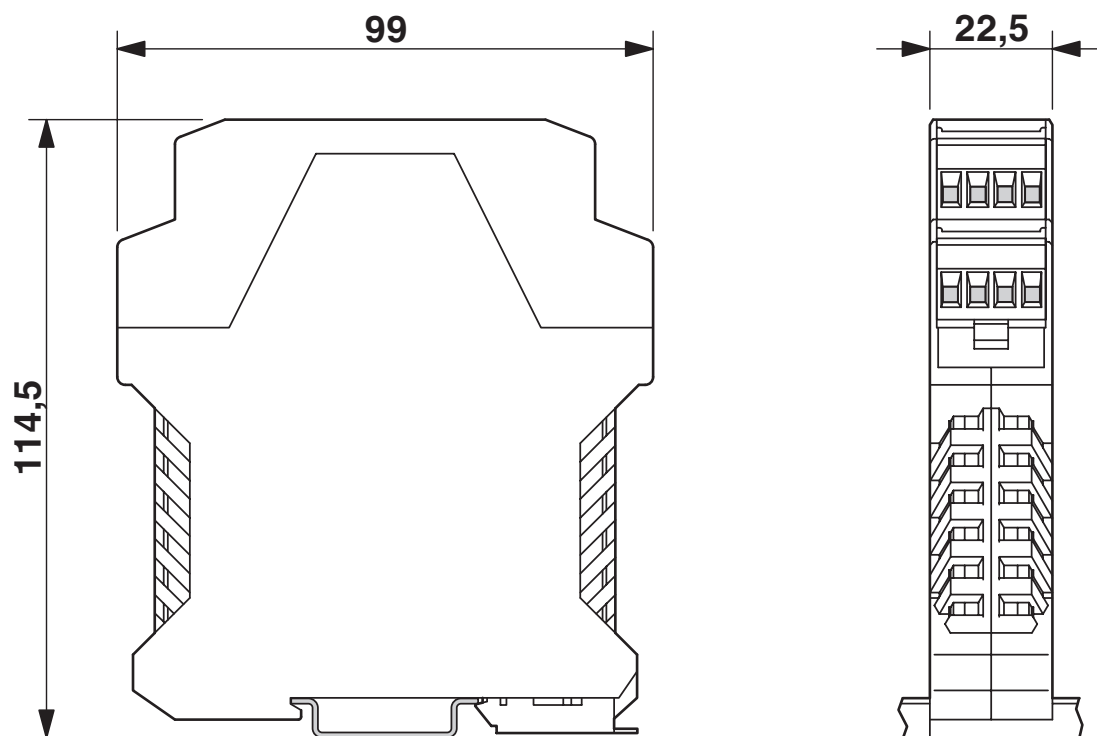
2835448

<https://www.phoenixcontact.com/us/products/2835448>



Drawings

Dimensional drawing

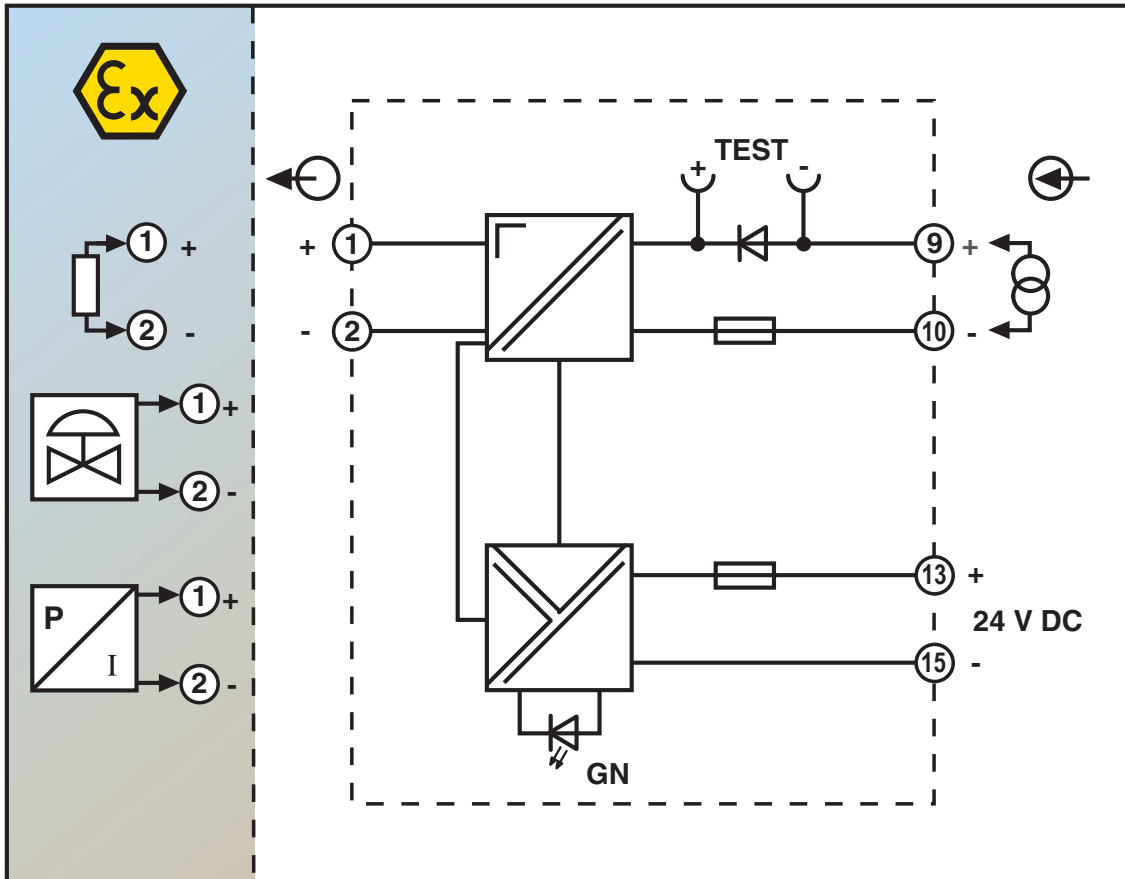


PI-EX-ME-ID-I/I - Signal isolator

2835448

<https://www.phoenixcontact.com/us/products/2835448>

Block diagram



Block diagram PI-EX-ME-ID-I/I

PI-EX-ME-ID-I/I - Signal isolator



2835448

<https://www.phoenixcontact.com/us/products/2835448>

Environmental product compliance

EU REACH SVHC

REACH candidate substance (CAS No.)	
-------------------------------------	--

	No substance above 0.1 wt%
--	----------------------------

Phoenix Contact 2026 © - all rights reserved

<https://www.phoenixcontact.com>

Phoenix Contact USA
586 Fulling Mill Road
Middletown, PA 17057, United States
(+717) 944-1300
info@phoenixcon.com