

PI-EX-NAM/RNC-NE - Signal isolator



2835367

<https://www.phoenixcontact.com/us/products/2835367>

Please be informed that the data shown in this PDF document is generated from our online catalog. Please find the complete data in the user documentation. Our general terms of use for downloads are valid.



Ex i binary input: NAMUR isolation amplifiers. For operating proximity sensors and switches in Ex areas. The binary signals are transmitted to a safe area. Relay output (N/C contact), line fault detection. Galvanic 3-way isolation.

Commercial data

Item number	2835367
Packing unit	1 pc
Sales key	C430
Product key	DK1XXX
GTIN	4017918178475
Weight per piece (including packing)	96.7 g
Weight per piece (excluding packing)	77.71 g
Customs tariff number	85365019
Country of origin	DE

Technical data

Notes

Order information:	The electronics module is plugged into a basic terminal block.
--------------------	--

Product properties

Product type	Isolating switch amplifier
Application	Digital IN
No. of channels	1

Electrical properties

Electrical isolation	3-way isolation
Insulation voltage input/output/supply	0.25 kV _{rms}
Test voltage input/output	1.5 kV AC

Supply

Supply voltage range	20 V DC ... 30 V DC
Max. current consumption	max. 40 mA
Power dissipation	max. 0.8 W (24 V)

Input data

Control

Input name	Control current circuit
Description of the input	intrinsically safe
Available input sources	NAMUR proximity sensors floating switch contacts Switch contacts with resistance circuit
Open-circuit voltage	8.2 V DC ±10 %
Switching threshold "0" signal current	< 1.2 mA (attenuated in acc. with EN 60947-5-6)
Switching threshold "1" signal, current	> 2.1 mA (non-attenuated in acc. with EN 60947-5-6)

Output data

Switching: Relay

Configurable/programmable	Switching behavior can be inverted via DIP switch
Contact switching type	N/C contact
Contact material	AgSnO, hard gold-plated
Limiting continuous current	1 A (30 V DC) 0.5 A (125 V AC)
Min. switching current	1 mA

Ex data

Safety data

Max. output voltage U _o	10.6 V
------------------------------------	--------

PI-EX-NAM/RNC-NE - Signal isolator



2835367

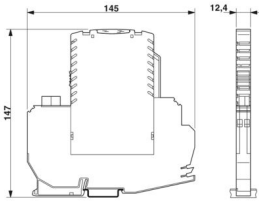
<https://www.phoenixcontact.com/us/products/2835367>

Max. output current I_o	33 mA
Max. output power P_o	86 mW
EEX specification	[EEx ia] IIC, EX II (1)GD, KEMA 00 ATEX 1126
IIA: Max. external inductivity L_o / Max. external capacitance C_o	230 mH / 72.9 μ F
IIB: Max. external inductivity L_o / Max. external capacitance C_o	110 mH / 16.2 μ F
IIC: Max. external inductivity L_o / Max. external capacitance C_o	30 mH / 2.3 μ F

Signaling

Status display	Green LED (supply voltage)
	Yellow LED (status display)
	Red LED (line errors)

Dimensions

Dimensional drawing	
Width	12.4 mm
Height	79 mm
Depth	118.4 mm

Material specifications

Color	green (RAL 6021)
Flammability rating according to UL 94	V0
Housing material	Polyamide PA non-reinforced

Environmental and real-life conditions

Ambient conditions

Ambient temperature (operation)	-20 °C ... 60 °C (vertical assembly)
	-20 °C ... 55 °C (horizontal assembly)
Ambient temperature (storage/transport)	-40 °C ... 80 °C
Permissible humidity (operation)	5 % ... 95 % (relative humidity, non-condensing)

Approvals

ATEX

Identification	⊕ II (1) G [Ex ia Ga] IIC
	⊕ II (1) D [Ex ia Da] IIIC
	⊕ II 3 G Ex nA nC IIC T4 Gc
Certificate	PxCIF07ATEX2835341X

EAC Ex

PI-EX-NAM/RNC-NE - Signal isolator



2835367

<https://www.phoenixcontact.com/us/products/2835367>

Identification	ERC [Ex ia Ga] IIC
Certificate	RU C-DE.AB72.B.00097/19

EMC data

Electromagnetic compatibility	Conformance with EMC directive
Noise immunity	EN 61326:1997

Noise emission

Standards/regulations	EN 61326:1997
-----------------------	---------------

Standards and regulations

Electrical isolation	3-way isolation
----------------------	-----------------

PI-EX-NAM/RNC-NE - Signal isolator

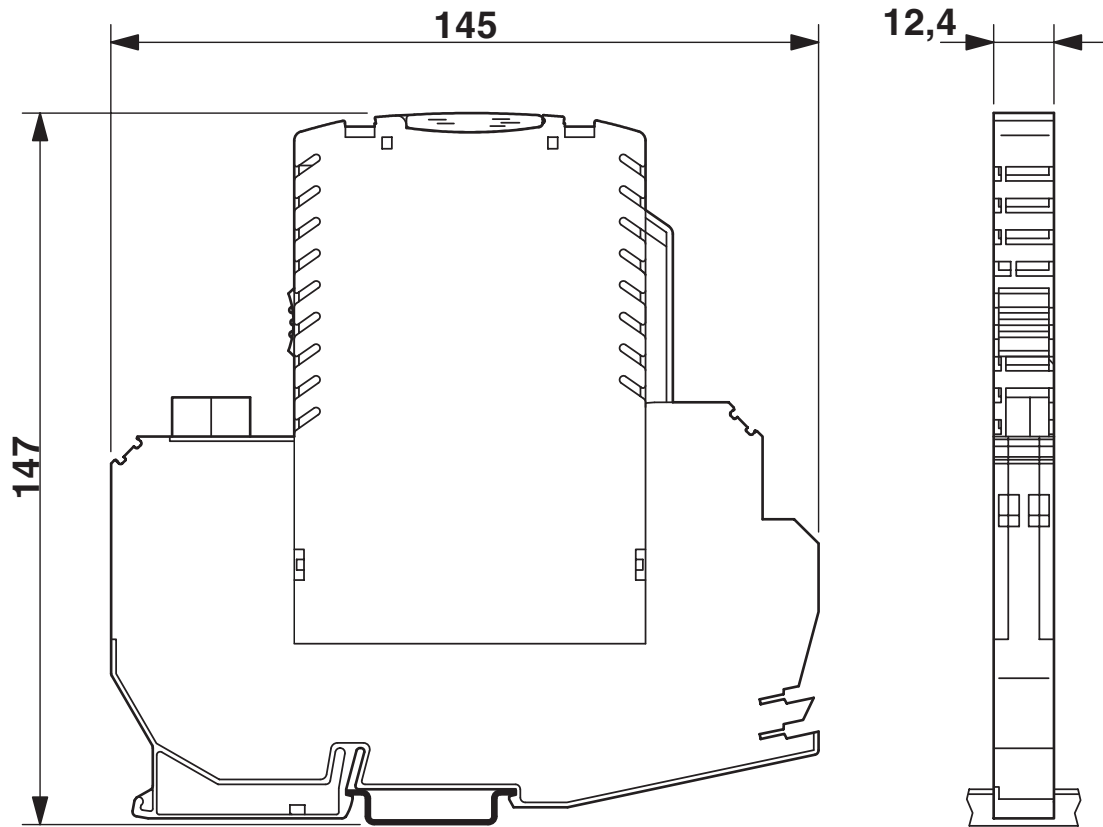


2835367

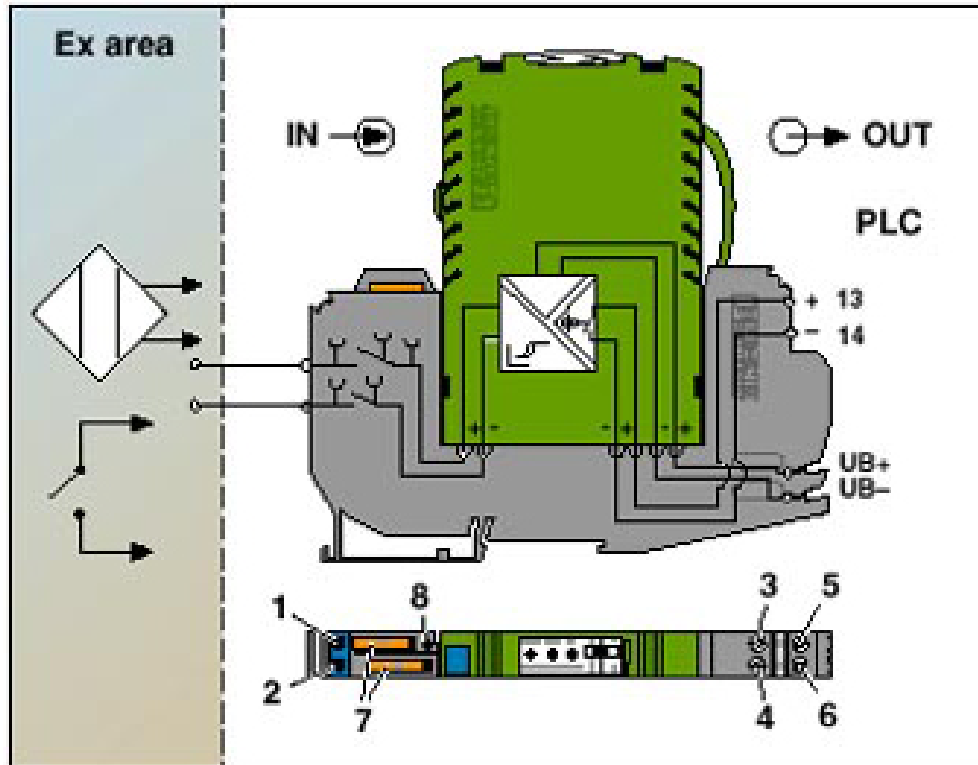
<https://www.phoenixcontact.com/us/products/2835367>

Drawings

Dimensional drawing



Circuit diagram



- 1 ≙ input "+"
(Clamping screw with integrated female test connector)
- 2 ≙ input "-"
(Clamping screw with integrated female test connector)
- 3 ≙ Output
- 4 ≙ Output
- 5 ≙ U_{B+} / supply "+" 20...35 V DC
- 6 ≙ U_{B-} / supply "-"
- 7 ≙ Disconnect knife with integrated female test connector
- 8 ≙ Female test connector

PI-EX-NAM/RNC-NE - Signal isolator



2835367

<https://www.phoenixcontact.com/us/products/2835367>

Classifications

UNSPSC

UNSPSC 21.0	39121000
-------------	----------

2835367

<https://www.phoenixcontact.com/us/products/2835367>

Environmental product compliance

EU RoHS

Fulfills EU RoHS substance requirements	Yes
Exemption	7(a), 7(c)-I

China RoHS

Environment friendly use period (EFUP)	EFUP-50
	An article-related China RoHS declaration table can be found in the download area for the respective article under "Manufacturer declaration". For all articles with EFUP-E, no China RoHS declaration table issued and required.

EU REACH SVHC

REACH candidate substance (CAS No.)	Lead(CAS: 7439-92-1)
-------------------------------------	----------------------

Phoenix Contact 2026 © - all rights reserved
<https://www.phoenixcontact.com>

Phoenix Contact USA
586 Fulling Mill Road
Middletown, PA 17057, United States
(+717) 944-1300
info@phoenixcon.com