

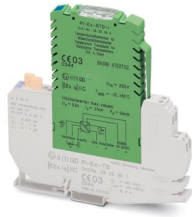
PI-EX-RTD-I - Signal converter



2835066

<https://www.phoenixcontact.com/us/products/2835066>

Please be informed that the data shown in this PDF document is generated from our online catalog. Please find the complete data in the user documentation. Our general terms of use for downloads are valid.



Ex i resistance thermometer input: Converts signals of Pt 100 resistance thermometers installed in the Ex zone and transfers a 4 mA ... 20 mA signal to a load in the safe zone. Freely programmable. Galvanic 3-way isolation.

Commercial data

Item number	2835066
Packing unit	1 pc
Note	Made to order (non-returnable)
Sales key	NULL
Product key	DK1XXX
Weight per piece (including packing)	107.5 g
Weight per piece (excluding packing)	107.5 g
Customs tariff number	85437090
Country of origin	GB

PI-EX-RTD-I - Signal converter



2835066

<https://www.phoenixcontact.com/us/products/2835066>

Technical data

Notes

Order information:	The electronics module is plugged into a basic terminal block.
--------------------	--

Product properties

Product type	Temperature transmitter
Application	Temperature
No. of channels	1

Electrical properties

Maximum transmission error	< 0.1 % (of end value 20 mA, at 0 Ω ... 400 Ω input range, 20°C)
----------------------------	--

Electrical isolation Input/output

Electrical isolation	250 V
----------------------	-------

Electrical isolation Input/power supply

Electrical isolation	250 V
----------------------	-------

Electrical isolation Output/supply

Test voltage	1.5 kV AC (50 Hz, 60 s)
--------------	-------------------------

Supply

Supply voltage range	20 V DC ... 35 V DC
Max. current consumption	64 mA (24 V DC / 20 mA)
Power dissipation	1.5 W (24 V DC / 20 mA)

Input data

Measurement

Description of the input	intrinsically safe
Configurable/programmable	Freely programmable, configured
Sensor types (RTD) that can be used	2 or 3-conductor Pt 100 sensors as well as resistance-type sensors
Temperature measuring range	-200 °C ... 850 °C (Range depending on the sensor type)
Temperature measuring range: Pt 100	-200 °C ... 850 °C
Connection technology	2-, 3-conductor
Linear resistance measuring range	0 Ω ... 400 Ω (Minimum measuring range 10 Ω)
Measuring accuracy	±80 mΩ

Output data

Signal

Output description	Current output
Current output signal	4 mA ... 20 mA
Load/output load current output	≤ 600 Ω
Behavior in the event of a sensor error	upscale, downscale or off, LED flashes

PI-EX-RTD-I - Signal converter

2835066

<https://www.phoenixcontact.com/us/products/2835066>

Measuring accuracy	$\pm 11 \mu\text{A}$
--------------------	----------------------

Connection data

Conductor cross-section rigid	0.2 mm ² ... 2.5 mm ²
Conductor cross-section flexible	0.2 mm ² ... 2.5 mm ²
Conductor cross-section AWG	24 ... 14
Tightening torque	0.5 Nm ... 0.6 Nm

Ex data

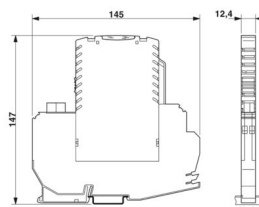
Safety data

Max. output voltage U_o	6.6 V
Max. output current I_o	27 mA
Max. output power P_o	50 mW
Safety-related maximum voltage U_m	250 V AC
IIB: Max. external inductivity L_o / Max. external capacitance C_o	178.4 mH / 500 μF
IIC: Max. external inductivity L_o / Max. external capacitance C_o	48.7 mH / 22 μF

Signaling

Status display	Green LED, for power supply, flashes in the case of sensor defect
----------------	---

Dimensions

Dimensional drawing	
Width	12.4 mm
Height	145 mm
Depth	147 mm

Material specifications

Color	green (RAL 6021)
Flammability rating according to UL 94	V0
Housing material	PBT and polyamide PA non-reinforced

Environmental and real-life conditions

Ambient conditions

Degree of protection	IP20
Ambient temperature (operation)	-20 °C ... 55 °C
Ambient temperature (storage/transport)	-40 °C ... 85 °C

PI-EX-RTD-I - Signal converter



2835066

<https://www.phoenixcontact.com/us/products/2835066>

Approvals

CE

Certificate	CE-compliant
-------------	--------------

ATEX

Identification	⊕ II (1) GD [EEEx ia] IIC
----------------	---------------------------

UL, USA/Canada

Identification	cULus
----------------	-------

PI-EX-RTD-I - Signal converter

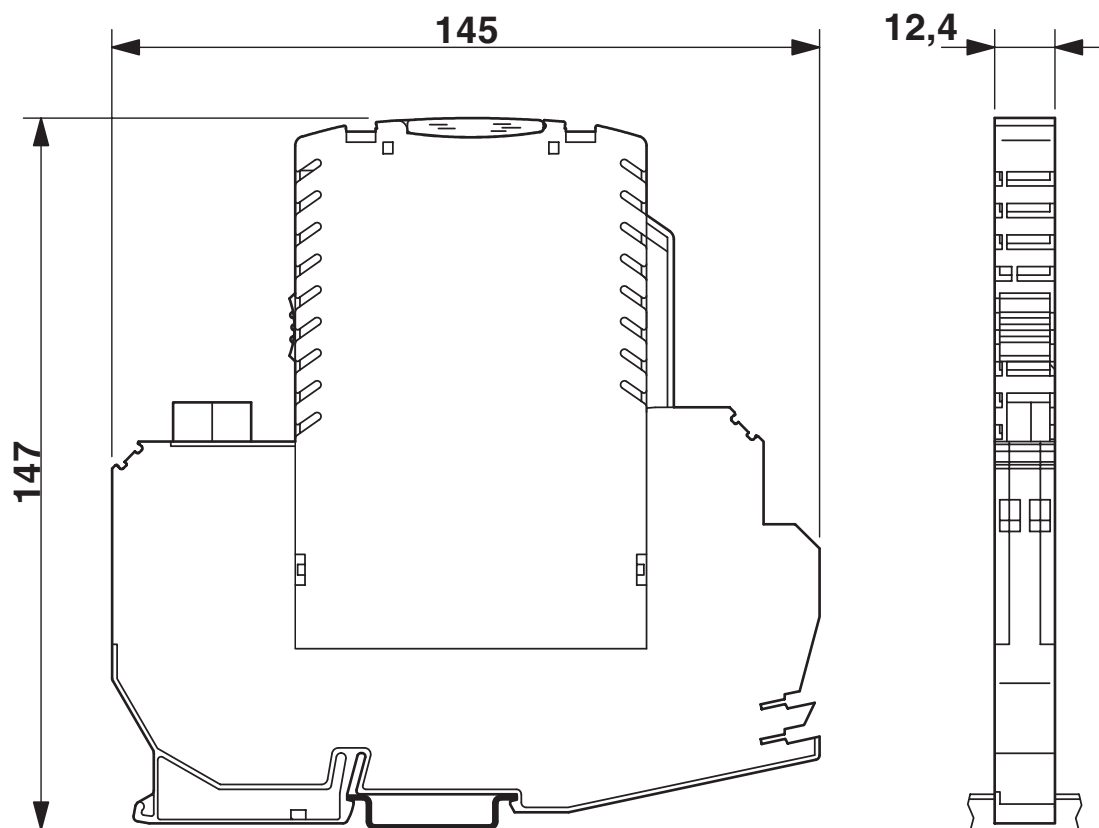
2835066

<https://www.phoenixcontact.com/us/products/2835066>



Drawings

Dimensional drawing



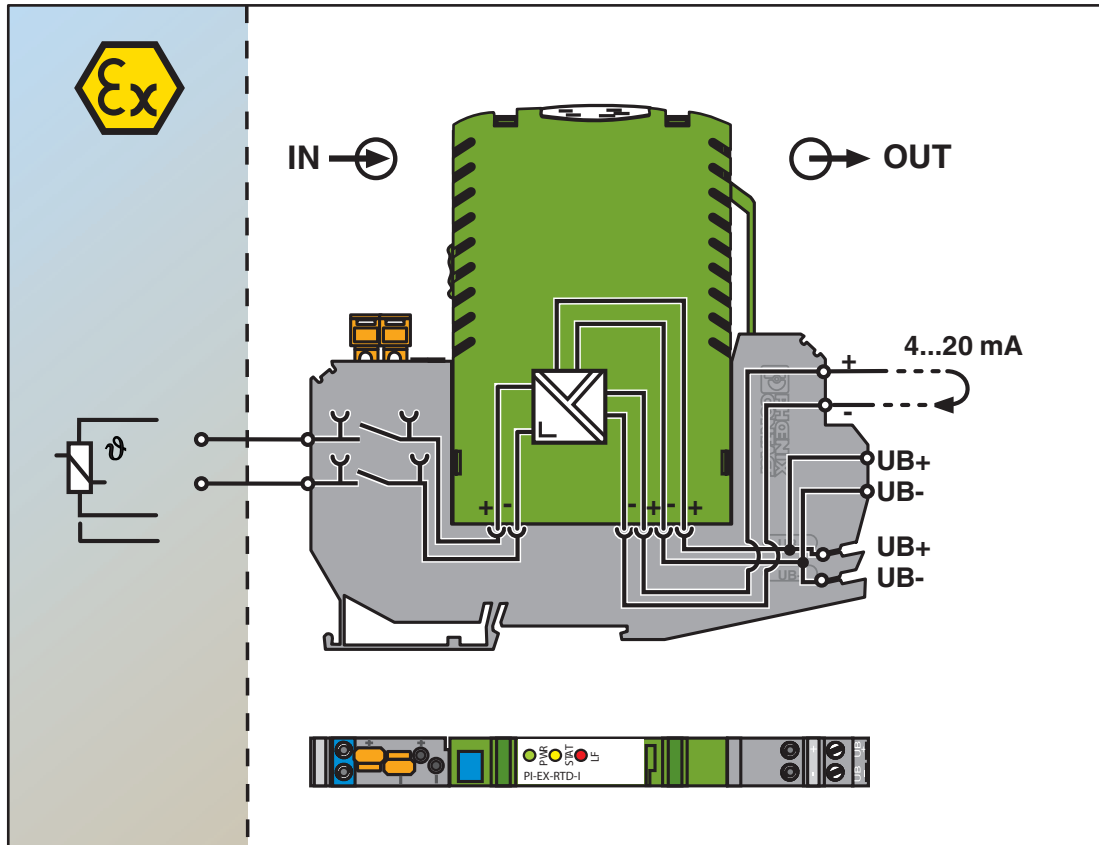
PI-EX-RTD-I - Signal converter

2835066

<https://www.phoenixcontact.com/us/products/2835066>



Block diagram



PI-EX-RTD-I - Signal converter

2835066

<https://www.phoenixcontact.com/us/products/2835066>



Environmental product compliance

EU REACH SVHC

REACH candidate substance (CAS No.)	
-------------------------------------	--

	No substance above 0.1 wt%
--	----------------------------

Phoenix Contact 2026 © - all rights reserved

<https://www.phoenixcontact.com>

Phoenix Contact USA
586 Fulling Mill Road
Middletown, PA 17057, United States
(+717) 944-1300
info@phoenixcon.com