

PI-EX-SD/22/60-B - Signal isolator



2835037

<https://www.phoenixcontact.com/us/products/2835037>

Please be informed that the data shown in this PDF document is generated from our online catalog. Please find the complete data in the user documentation. Our general terms of use for downloads are valid.



Ex i solenoid driver. To control intrinsically safe solenoid valves, alarm modules as well as simple electric equipment (e.g. LEDs) installed in Ex areas. Output EEx ia IIB, loop-powered. Electrical isolation.

Commercial data

Item number	2835037
Packing unit	1 pc
Note	Made to order (non-returnable)
Sales key	C430
Product key	DK1XXX
GTIN	4017918147853
Weight per piece (including packing)	92.2 g
Weight per piece (excluding packing)	92.2 g
Customs tariff number	85438995
Country of origin	GB

PI-EX-SD/22/60-B - Signal isolator



2835037

<https://www.phoenixcontact.com/us/products/2835037>

Technical data

Notes

Order information:	The electronics module is plugged into a basic terminal block.
--------------------	--

Product properties

Product type	Signal conditioner
Application	Digital OUT
No. of channels	1

Electrical properties

Test voltage input/output	1.5 kV AC (50 Hz, 60 s)
---------------------------	-------------------------

Electrical isolation Input/output

Electrical isolation	250 V _{rms} (acc. to EN 50020)
----------------------	---

Supply

Supply voltage range	no separate supply voltage necessary
Max. current consumption	max. 135 mA
Power consumption	1.5 W (at 24 V)

Input data

Control

Voltage input signal	20 V DC ... 35 V DC
----------------------	---------------------

Output data

Signal: Voltage

Output description	intrinsically safe
Output voltage	12.9 V (60 mA)

Ex data

Safety data

Max. output voltage U _o	25 V
Max. output current I _o	185 mA
Max. output power P _o	1.17 W
EEX specification	[EEx ia] IIB, Ex II (1) GD, BAS 97 ATEX 1213
IIA: Max. external inductivity L _o / Max. external capacitance C _o	9.08 mH / 2.97 μF
IIB: Max. external inductivity L _o / Max. external capacitance C _o	4.55 mH / 0.84 μF

Signaling

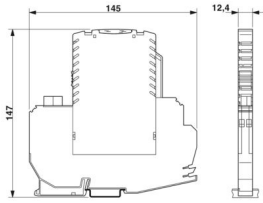
Status display	Yellow LED (status display)
----------------	-----------------------------

Dimensions

PI-EX-SD/22/60-B - Signal isolator

2835037

<https://www.phoenixcontact.com/us/products/2835037>

Dimensional drawing	
Width	12.4 mm
Height	145 mm
Depth	147 mm

Material specifications

Color	green (RAL 6021)
Flammability rating according to UL 94	V0
Housing material	PBT and polyamide PA non-reinforced

Environmental and real-life conditions

Ambient conditions

Ambient temperature (operation)	-20 °C ... 60 °C (vertical assembly)
	-20 °C ... 50 °C (horizontal assembly)
Ambient temperature (storage/transport)	-40 °C ... 80 °C
Permissible humidity (operation)	5 % ... 95 % (relative humidity, non-condensing)

EMC data

Electromagnetic compatibility	Conformance with EMC directive
Noise immunity	EN 61326:1998
Noise emission	
Standards/regulations	EN 61326:1998

PI-EX-SD/22/60-B - Signal isolator

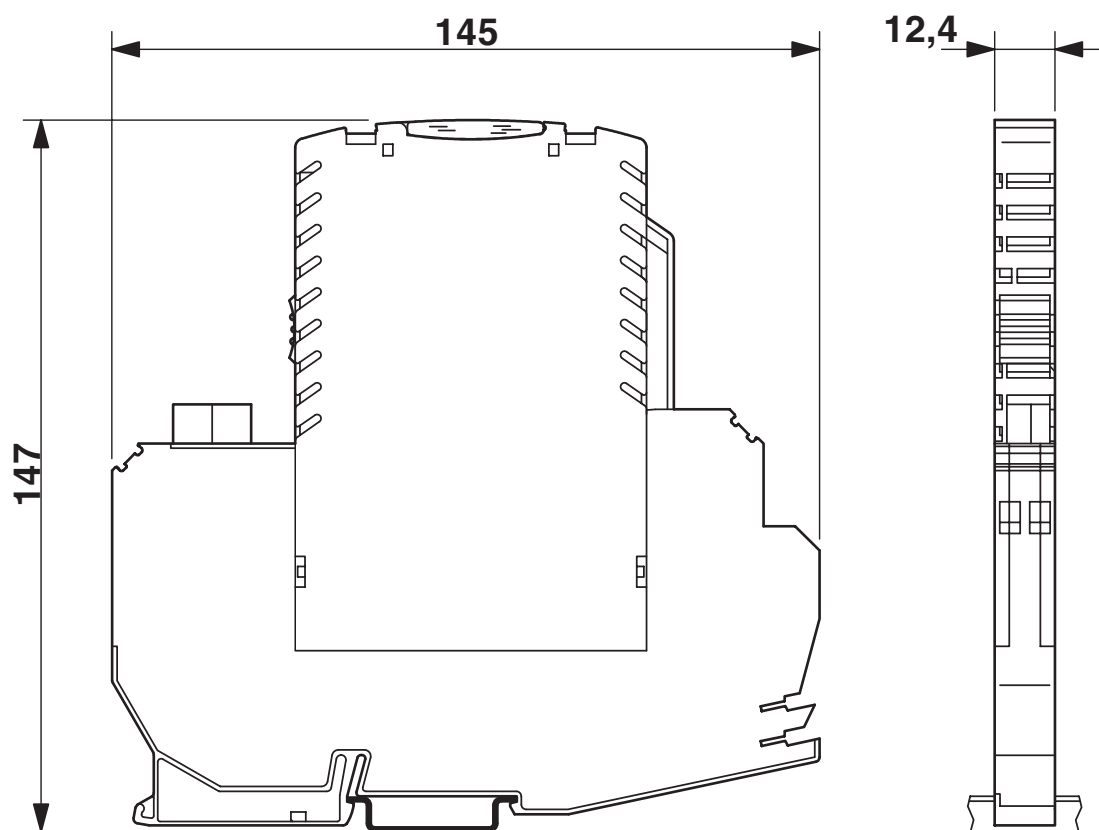


2835037

<https://www.phoenixcontact.com/us/products/2835037>

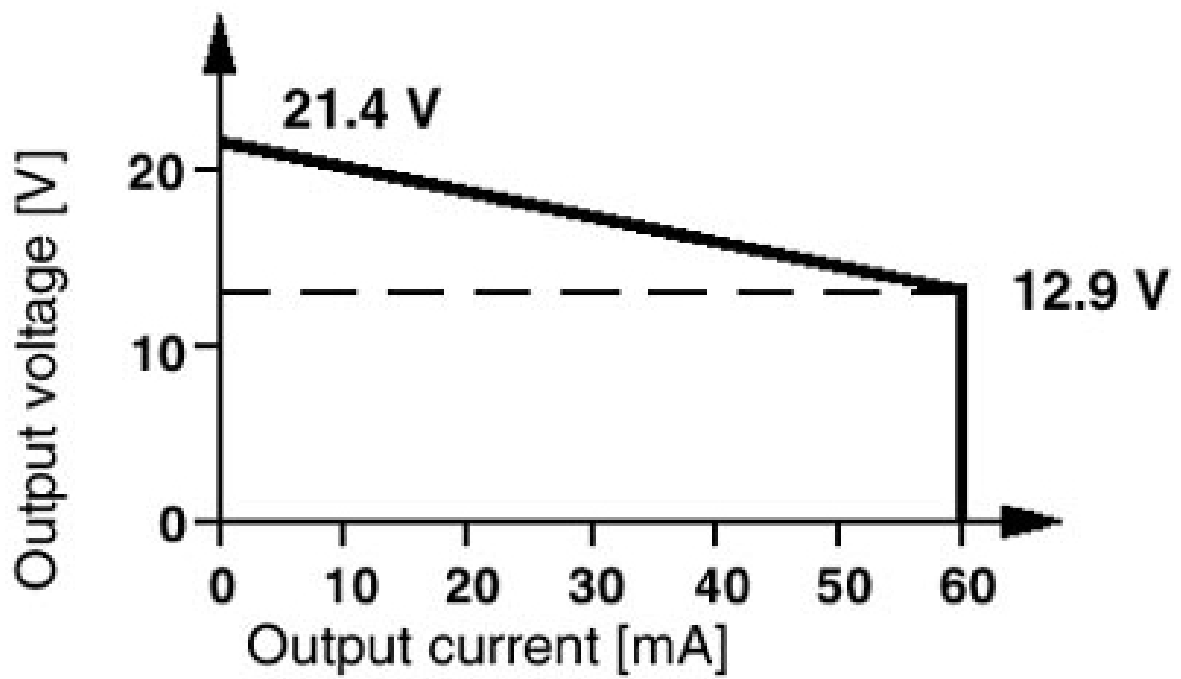
Drawings

Dimensional drawing

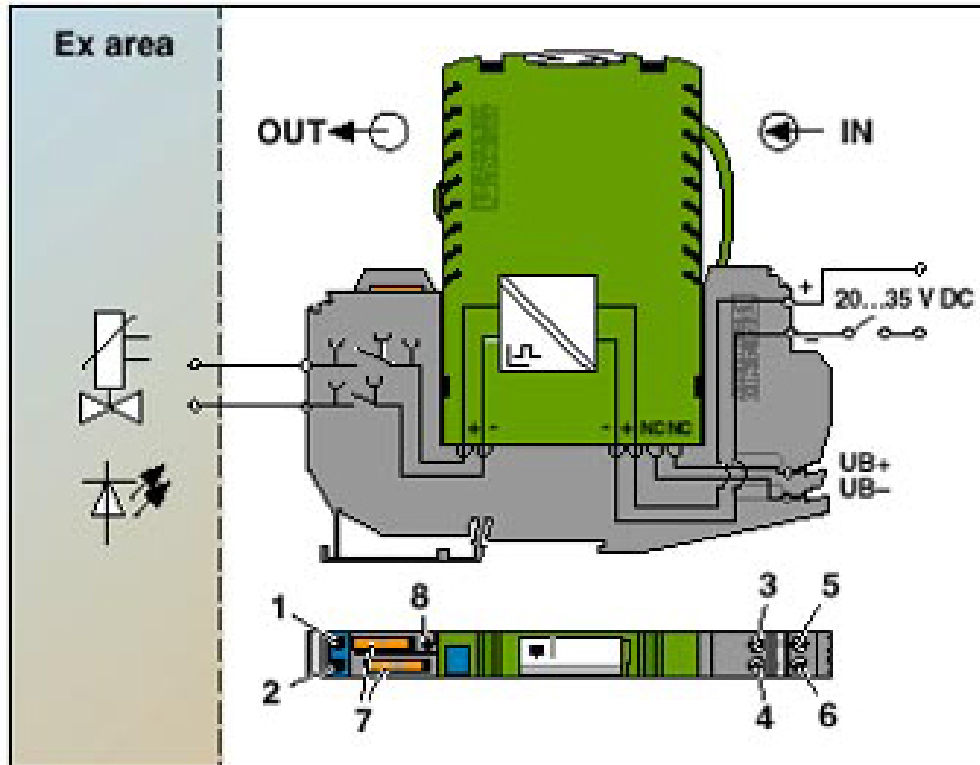


Diagram

Output voltage

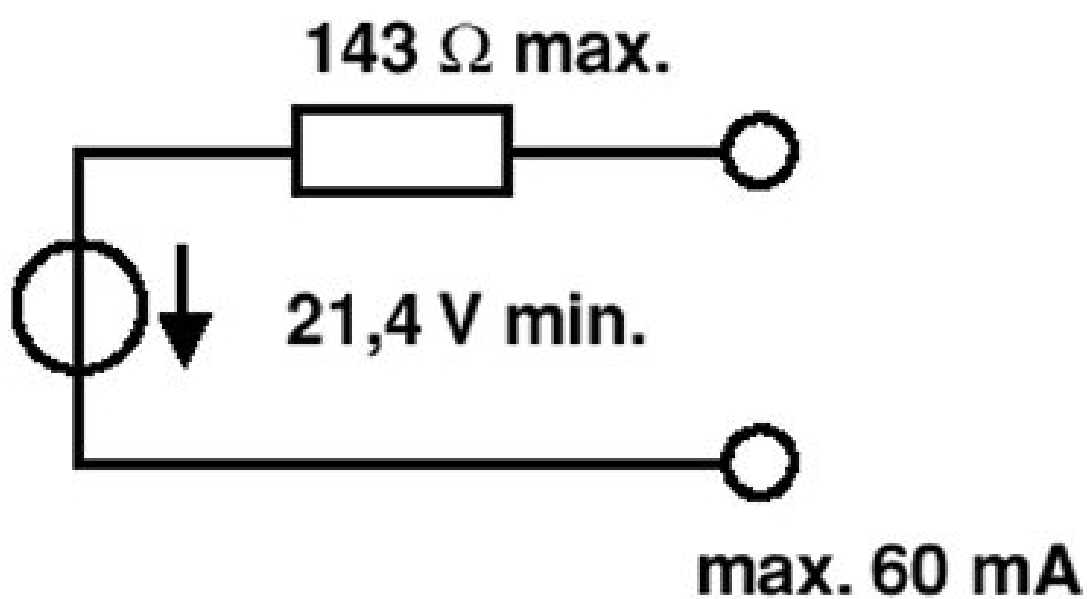


Circuit diagram



- 1 ≙ output signal "+"
(Clamping screw with integrated female test connector)
- 2 ≙ output signal "-"
(Clamping screw with integrated female test connector)
- 3 ≙ Control signal "-"
- 4 ≙ Control signal "-"
- 5 ≙ NC
- 6 ≙ NC
- 7 ≙ Disconnect knife with integrated female test connector
- 8 ≙ Female test connector

Circuit diagram



PI-EX-SD/22/60-B - Signal isolator



2835037

<https://www.phoenixcontact.com/us/products/2835037>

Environmental product compliance

EU REACH SVHC

REACH candidate substance (CAS No.)	No substance above 0.1 wt%
-------------------------------------	----------------------------

Phoenix Contact 2026 © - all rights reserved

<https://www.phoenixcontact.com>

Phoenix Contact USA
586 Fulling Mill Road
Middletown, PA 17057, United States
(+717) 944-1300
info@phoenixcon.com