

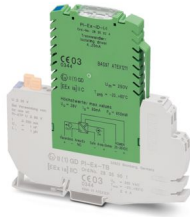
PI-EX-ID-I/I - Signal isolator



2835024

<https://www.phoenixcontact.com/us/products/2835024>

Please be informed that the data shown in this PDF document is generated from our online catalog. Please find the complete data in the user documentation. Our general terms of use for downloads are valid.



Ex i Analog Output: output isolating driver. Isolates and drives 0/4-20mA signals from a controller located in the safe area to a load (I/P converters, control valves, indicators) in the hazardous area. 3-way isolated (input/output/supply).

Commercial data

Item number	2835024
Packing unit	1 pc
Note	Made to order (non-returnable)
Sales key	C430
Product key	DK1XXX
GTIN	4017918148010
Weight per piece (including packing)	92.7 g
Weight per piece (excluding packing)	86.2 g
Customs tariff number	85438995
Country of origin	GB

Technical data

Notes

Order information:	The electronics module is plugged into a basic terminal block.
--------------------	--

Product properties

Product type	Signal conditioner
Application	Analog OUT
No. of channels	1

Electrical properties

Step response (10-90%)	< 250 μ s
Maximum temperature coefficient	< 0.01 %/K
Maximum transmission error	\leq 0.1 % (Of end value (at 20°C))

Electrical isolation Input/output

Electrical isolation	250 V _{rms} (acc. to EN 50020)
----------------------	---

Electrical isolation Input/power supply

Test voltage	1.5 kV AC (50 Hz, 60 s)
--------------	-------------------------

Electrical isolation Output/supply

Electrical isolation	250 V _{rms} (acc. to EN 50020)
----------------------	---

Supply

Supply voltage range	20 V DC ... 35 V DC
Max. current consumption	50 mA (at 24 V)
Power consumption	1 W (at 24 V)

Input data

Signal

Description of the input	Current input
Current input signal	4 mA ... 20 mA
	0 mA ... 20 mA

Output data

Signal

Output description	intrinsically safe
Current output signal	4 mA ... 20 mA
	0 mA ... 20 mA
Output voltage	16 V (at 20 mA)
Load/output load current output	\leq 800 Ω
Output resistor	> 2 M Ω
Output ripple	< 40 μ A _{pp} (800 Ω)

PI-EX-ID-I/I - Signal isolator

2835024

<https://www.phoenixcontact.com/us/products/2835024>

Ex data

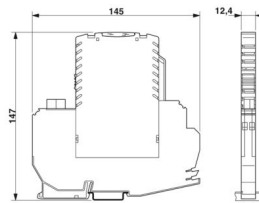
Safety data

Max. output voltage U_o	28 V
Max. output current I_o	93 mA
Max. output power P_o	0.65 W
EEX specification	EX II (1)GD, [EEx ia] IIC, BAS 97 ATEX 1211
IIA: Max. external inductivity L_o / Max. external capacitance C_o	36.02 mH / 2.15 μ F
IIB: Max. external inductivity L_o / Max. external capacitance C_o	17.72 mH / 0.65 μ F
IIC: Max. external inductivity L_o / Max. external capacitance C_o	4.3 mH / 0.083 μ F

Signaling

Status display	Green LED (supply voltage)
----------------	----------------------------

Dimensions

Dimensional drawing	
Width	12.4 mm
Height	145 mm
Depth	147 mm

Material specifications

Color	green (RAL 6021)
Flammability rating according to UL 94	V0
Housing material	PBT and polyamide PA non-reinforced

Environmental and real-life conditions

Ambient conditions

Ambient temperature (operation)	-20 °C ... 60 °C (vertical assembly) -20 °C ... 50 °C (horizontal assembly)
Ambient temperature (storage/transport)	-40 °C ... 80 °C
Permissible humidity (operation)	5 % ... 95 % (relative humidity, non-condensing)

EMC data

Electromagnetic compatibility	Conformance with EMC directive
Noise immunity	EN 61326:1998

Noise emission

Standards/regulations	EN 61326:1998
-----------------------	---------------

PI-EX-ID-I/I - Signal isolator

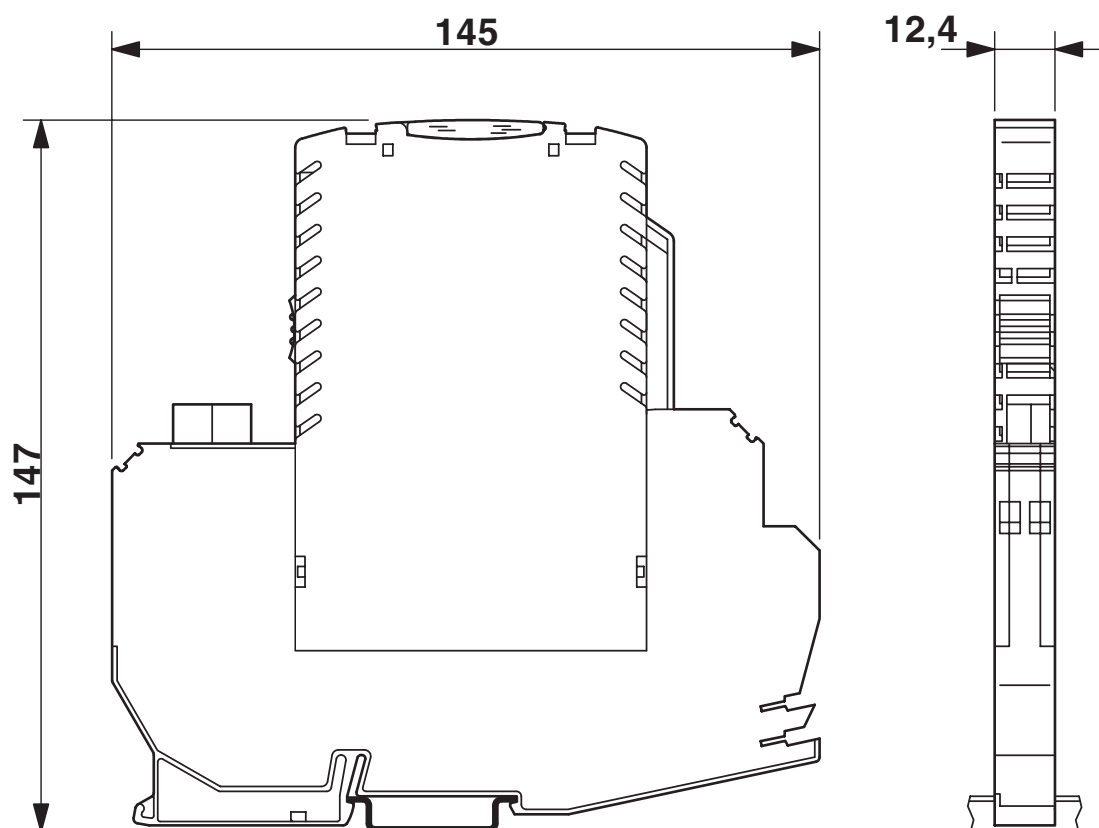
2835024

<https://www.phoenixcontact.com/us/products/2835024>

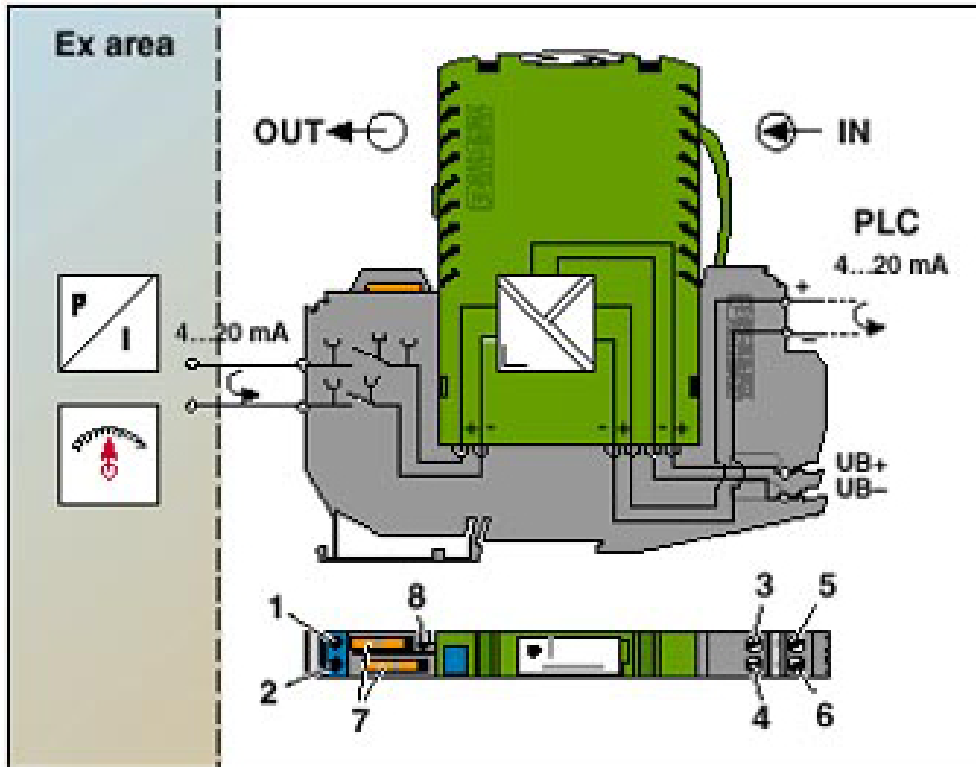


Drawings

Dimensional drawing



Circuit diagram



- 1** ≙ Output signal "+"
(Clamping screw with integrated female test connector)
- 2** ≙ Output signal "-"
(Clamping screw with integrated female test connector)
- 3** ≙ Input signal "+"
- 4** ≙ Input signal "-"
- 5** ≙ U_{B+} / supply "+" 20...35 V DC
- 6** ≙ U_{B-} / supply "-"
- 7** ≙ Disconnect knife with integrated female test connector
- 8** ≙ Female test connector

PI-EX-ID-I/I - Signal isolator

2835024

<https://www.phoenixcontact.com/us/products/2835024>



Environmental product compliance

EU REACH SVHC

REACH candidate substance (CAS No.)	
-------------------------------------	--

	No substance above 0.1 wt%
--	----------------------------

Phoenix Contact 2026 © - all rights reserved

<https://www.phoenixcontact.com>

Phoenix Contact USA
586 Fulling Mill Road
Middletown, PA 17057, United States
(+717) 944-1300
info@phoenixcon.com