

# REL-OR-230AC/3X21 - Single relay



2834300

<https://www.phoenixcontact.com/us/products/2834300>

Please be informed that the data shown in this PDF document is generated from our online catalog. Please find the complete data in the user documentation. Our general terms of use for downloads are valid.



Plug-in octal relays with power contacts, 3 changeover contacts, test button, mechanical switching position indicator, input voltage: 230 V AC

## Your advantages

- With detectable manual operation
- Extremely rugged design
- Mechanical switch position indicator

## Commercial data

Item number	2834300
Packing unit	1 pc
Note	Made to order (non-returnable)
Sales key	C460
Product key	DK6193
GTIN	4017918941895
Weight per piece (including packing)	118.72 g
Weight per piece (excluding packing)	118.72 g
Customs tariff number	85364900
Country of origin	CN

# REL-OR-230AC/3X21 - Single relay



2834300

<https://www.phoenixcontact.com/us/products/2834300>

## Technical data

### Product properties

Product type	Single relay
Operating mode	100% operating factor
Mechanical service life	10x 10 <sup>6</sup> cycles

### Insulation characteristics

Overvoltage category	II
Pollution degree	3

### Data management status

Date of last data management	01.04.2026
------------------------------	------------

### Electrical properties

Service life electrical	see diagram
Maximum power dissipation for nominal condition	2.3 W
Test voltage (Winding/contact)	2.5 kV AC (50 Hz, 1 min., winding/contact)
Test voltage (Contact/contact)	2.5 kV AC (50 Hz, 1 min., contact/contact)

### Input data

#### Coil side

Nominal input voltage $U_N$	230 V AC
Input voltage range	184 V AC ... 253 V AC
Input voltage range in reference to $U_N$	0.8 ... 1.1
Mains frequency	50/60 Hz
Drive and function	monostable
Typical input current at $U_N$	10 mA (at 50 Hz) 11 mA (At 60 Hz)
Typical response time	5 ms ... 20 ms (AC, depending on phase relation)
Typical release time range	5 ms ... 20 ms (AC, depending on phase relation)
Coil resistance	6170 $\Omega$ $\pm$ 15 % (at 20 °C)

### Output data

#### Switching

Contact switching type	3 changeover contacts
Type of switch contact	Single contact
Contact material	AgSnIn
Maximum switching voltage	250 V AC/DC
Minimum switching voltage	1 V
Limiting continuous current	10 A (N/O contact) 5 A (N/C contact)
Maximum inrush current	on request

# REL-OR-230AC/3X21 - Single relay



2834300

<https://www.phoenixcontact.com/us/products/2834300>

Min. switching current	10 mA
Interrupting rating (ohmic load) max.	2500 VA (for 250 V AC)

## Connection data

Connection method	Plug-in connection
-------------------	--------------------

## Dimensions

Width	34.5 mm
Height	34.5 mm
Depth	52.5 mm

## Environmental and real-life conditions

### Ambient conditions

Degree of protection	RT I
Ambient temperature (operation)	-40 °C ... 60 °C
Ambient temperature (storage/transport)	-40 °C ... 60 °C

## Standards and regulations

Standards/regulations	IEC 60664
-----------------------	-----------

## Mounting

Assembly note	On relay base PR3
Mounting position	any

# REL-OR-230AC/3X21 - Single relay

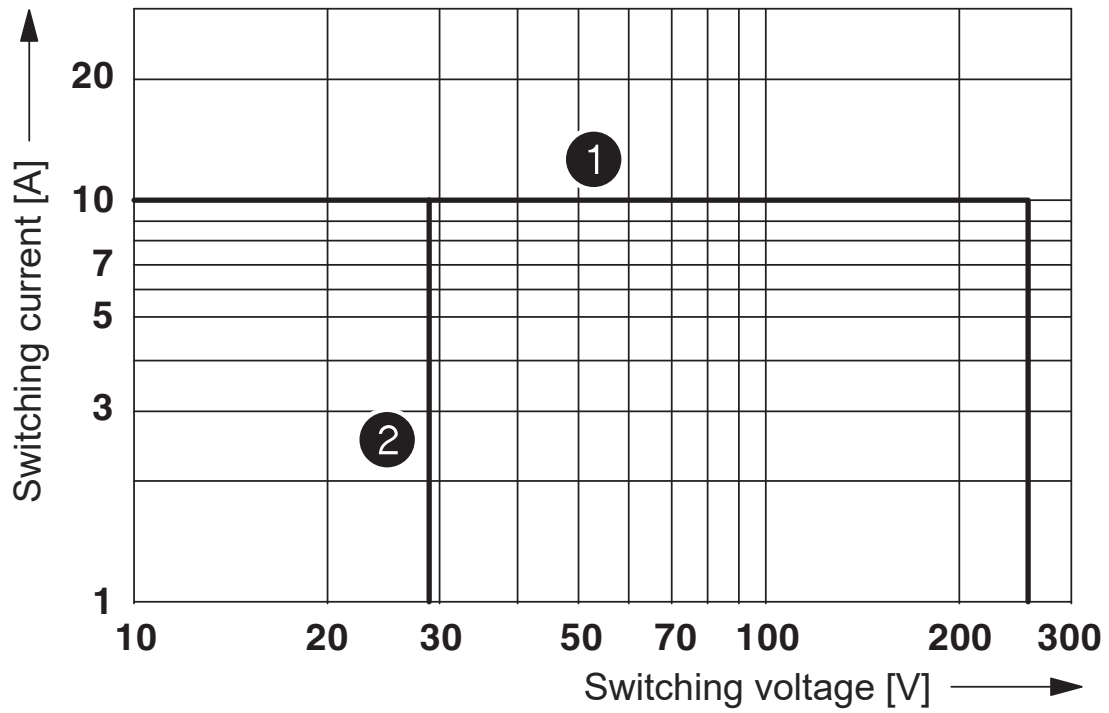


2834300

<https://www.phoenixcontact.com/us/products/2834300>

## Drawings

Diagram



- ① AC, ohmic load
- ② DC, ohmic load

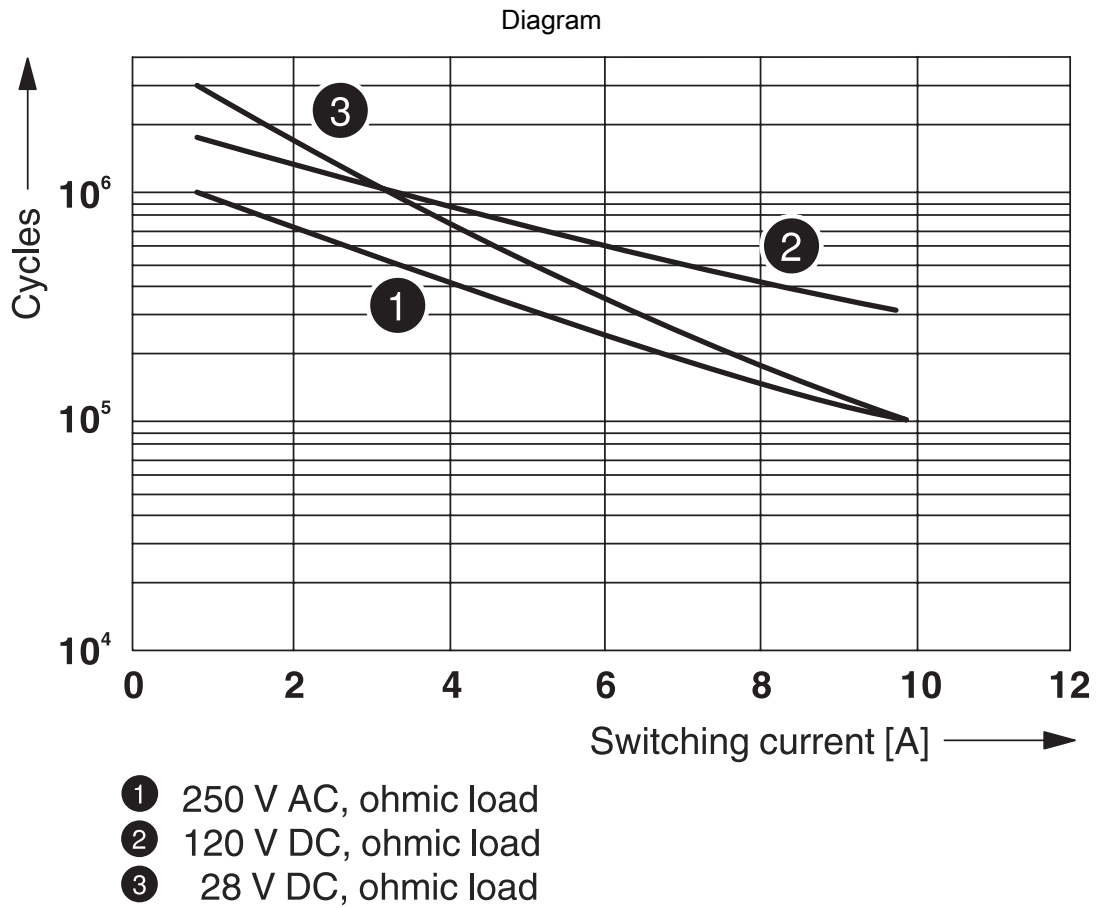
Interrupting rating

# REL-OR-230AC/3X21 - Single relay



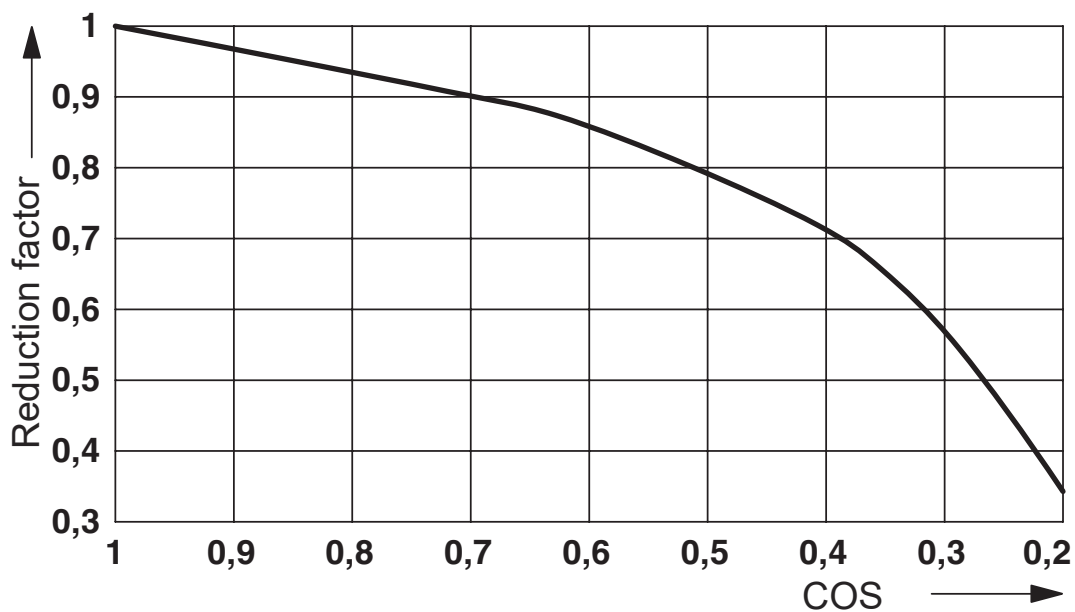
2834300

<https://www.phoenixcontact.com/us/products/2834300>



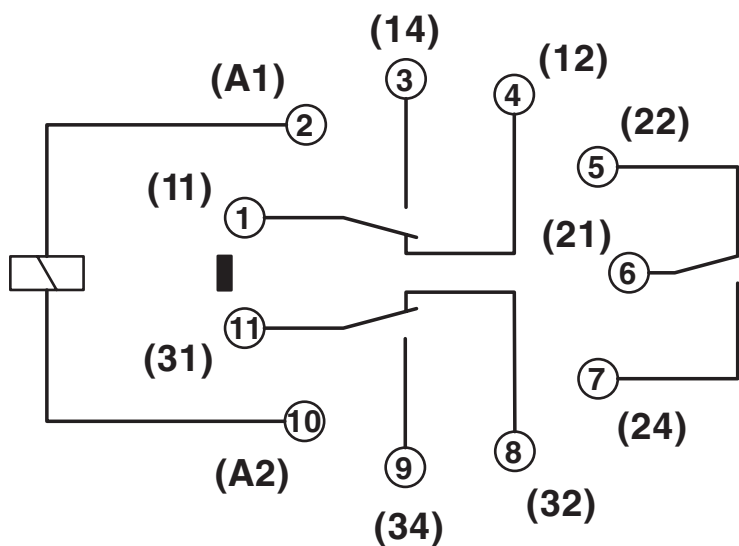
Electrical service life

Diagram



Service life reduction factor with various cos phi

Circuit diagram



# REL-OR-230AC/3X21 - Single relay

2834300

<https://www.phoenixcontact.com/us/products/2834300>



## Classifications

### UNSPSC

UNSPSC 21.0	39122334
-------------	----------

# REL-OR-230AC/3X21 - Single relay



2834300

<https://www.phoenixcontact.com/us/products/2834300>

## Environmental product compliance

### China RoHS

Environment friendly use period (EFUP)	EFUP-E
	No hazardous substances above the limits

### EU REACH SVHC

REACH candidate substance (CAS No.)	No substance above 0.1 wt%
-------------------------------------	----------------------------

Phoenix Contact 2026 © - all rights reserved  
<https://www.phoenixcontact.com>

Phoenix Contact USA  
586 Fulling Mill Road  
Middletown, PA 17057, United States  
(+717) 944-1300  
[info@phoenixcon.com](mailto:info@phoenixcon.com)