

REL-OR- 24AC/3X21 - Single relay



2834287

<https://www.phoenixcontact.com/us/products/2834287>

Please be informed that the data shown in this PDF document is generated from our online catalog. Please find the complete data in the user documentation. Our general terms of use for downloads are valid.



Plug-in octal relays with power contacts, 3 changeover contacts, test button, mechanical switching position indicator, coil voltage: 24 V AC

Your advantages

- With detectable manual operation
- Extremely rugged design
- Mechanical switch position indicator

Commercial data

| | |
|--------------------------------------|--------------------------------|
| Item number | 2834287 |
| Packing unit | 1 pc |
| Note | Made to order (non-returnable) |
| Sales key | C460 |
| Product key | DK6193 |
| GTIN | 4017918941789 |
| Weight per piece (including packing) | 109.84 g |
| Weight per piece (excluding packing) | 109.84 g |
| Customs tariff number | 85364190 |
| Country of origin | CN |

REL-OR- 24AC/3X21 - Single relay



2834287

<https://www.phoenixcontact.com/us/products/2834287>

Technical data

Product properties

| | |
|-------------------------|----------------------------|
| Product type | Single relay |
| Operating mode | 100% operating factor |
| Mechanical service life | 10x 10 ⁶ cycles |

Insulation characteristics

| | |
|----------------------|----|
| Overvoltage category | II |
| Pollution degree | 3 |

Data management status

| | |
|------------------------------|------------|
| Date of last data management | 01.04.2026 |
|------------------------------|------------|

Electrical properties

| | |
|---|--|
| Service life electrical | see diagram |
| Maximum power dissipation for nominal condition | 2.64 W |
| Test voltage (Winding/contact) | 2.5 kV AC (50 Hz, 1 min., winding/contact) |
| Test voltage (Contact/contact) | 2.5 kV AC (50 Hz, 1 min., contact/contact) |

Input data

Coil side

| | |
|---|--|
| Nominal input voltage U_N | 24 V AC |
| Input voltage range | 19.2 V AC ... 26.4 V AC |
| Input voltage range in reference to U_N | 0.8 ... 1.1 |
| Mains frequency | 50/60 Hz |
| Drive and function | monostable |
| Typical input current at U_N | 110 mA (at 50 Hz) 96 mA (At 60 Hz) |
| Typical response time | 5 ms ... 20 ms (AC, depending on phase relation) |
| Typical release time range | 5 ms ... 20 ms (AC, depending on phase relation) |
| Coil resistance | 62 Ω \pm 15 % (at 20 °C) |

Output data

Switching

| | |
|-----------------------------|---|
| Contact switching type | 3 changeover contacts |
| Type of switch contact | Single contact |
| Contact material | AgSnIn |
| Maximum switching voltage | 250 V AC/DC |
| Minimum switching voltage | 1 V |
| Limiting continuous current | 10 A (N/O contact) 5 A (N/C contact) |
| Maximum inrush current | on request |

REL-OR- 24AC/3X21 - Single relay



2834287

<https://www.phoenixcontact.com/us/products/2834287>

| | |
|---------------------------------------|------------------------|
| Min. switching current | 10 mA |
| Interrupting rating (ohmic load) max. | 2500 VA (for 250 V AC) |

Connection data

| | |
|-------------------|--------------------|
| Connection method | Plug-in connection |
|-------------------|--------------------|

Dimensions

| | |
|--------|---------|
| Width | 34.5 mm |
| Height | 34.5 mm |
| Depth | 52.5 mm |

Environmental and real-life conditions

Ambient conditions

| | |
|---|------------------|
| Degree of protection | RT I |
| Ambient temperature (operation) | -40 °C ... 60 °C |
| Ambient temperature (storage/transport) | -40 °C ... 60 °C |

Standards and regulations

| | |
|-----------------------|-----------|
| Standards/regulations | IEC 60664 |
|-----------------------|-----------|

Mounting

| | |
|-------------------|-------------------|
| Assembly note | On relay base PR3 |
| Mounting position | any |

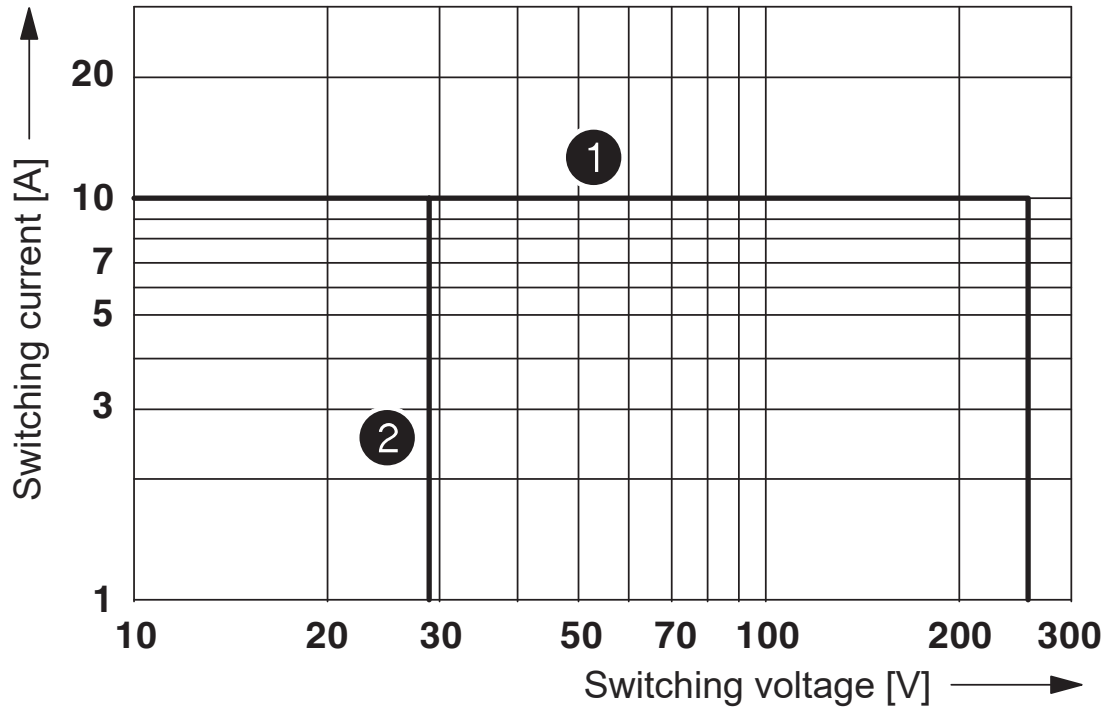
REL-OR- 24AC/3X21 - Single relay

2834287

<https://www.phoenixcontact.com/us/products/2834287>

Drawings

Diagram



- ① AC, ohmic load
- ② DC, ohmic load

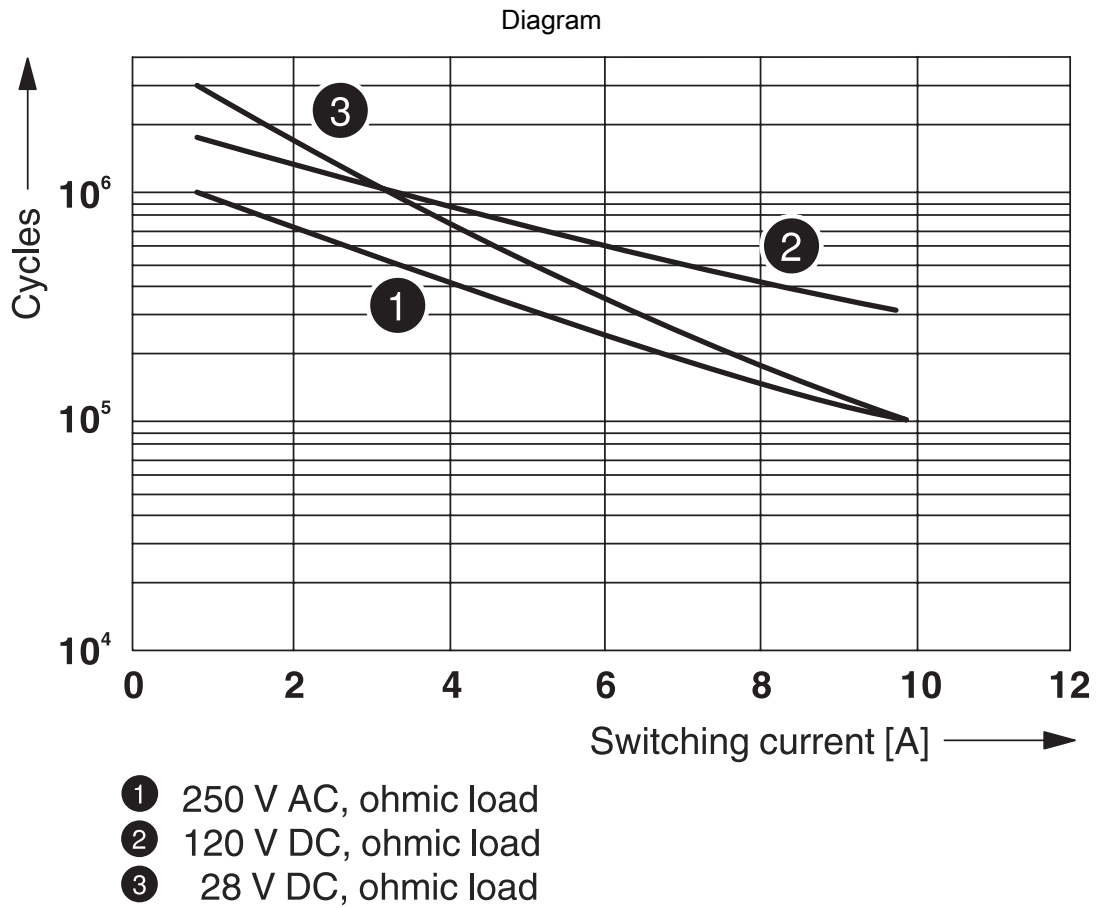
Interrupting rating

REL-OR- 24AC/3X21 - Single relay



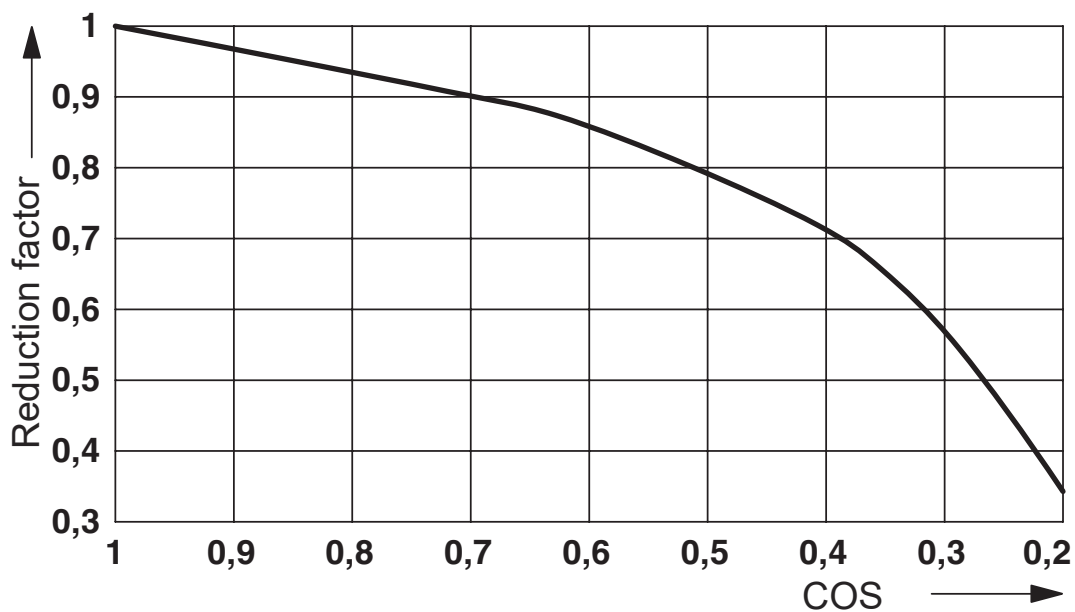
2834287

<https://www.phoenixcontact.com/us/products/2834287>



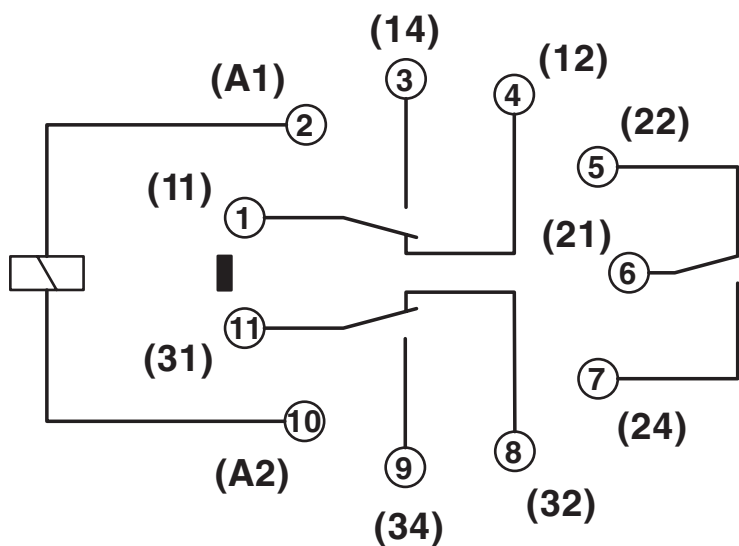
Electrical service life

Diagram



Service life reduction factor with various cos phi

Circuit diagram



REL-OR- 24AC/3X21 - Single relay



2834287

<https://www.phoenixcontact.com/us/products/2834287>

Classifications

UNSPSC

| | |
|-------------|----------|
| UNSPSC 21.0 | 39122334 |
|-------------|----------|

REL-OR- 24AC/3X21 - Single relay



2834287

<https://www.phoenixcontact.com/us/products/2834287>

Environmental product compliance

China RoHS

| | |
|--|--|
| Environment friendly use period (EFUP) | EFUP-E |
| | No hazardous substances above the limits |

EU REACH SVHC

| | |
|-------------------------------------|----------------------------|
| REACH candidate substance (CAS No.) | No substance above 0.1 wt% |
|-------------------------------------|----------------------------|

Phoenix Contact 2026 © - all rights reserved
<https://www.phoenixcontact.com>

Phoenix Contact USA
586 Fulling Mill Road
Middletown, PA 17057, United States
(+717) 944-1300
info@phoenixcon.com