

REL-IR/L- 24AC/2X21 - Single relay



2834054

<https://www.phoenixcontact.com/us/products/2834054>

Please be informed that the data shown in this PDF document is generated from our online catalog. Please find the complete data in the user documentation. Our general terms of use for downloads are valid.



Plug-in industrial relays with power contacts, 2 changeover contacts, test button, status LED, mechanical switching position indicator, input voltage: 24 V AC

The figure shows version: REL-IR/L-230AC/2X21

Your advantages

- With detectable manual operation
- Integrated status LED
- Mechanical switch position indicator
- DC types with integrated freewheeling diode

Commercial data

| | |
|--------------------------------------|--------------------------------|
| Item number | 2834054 |
| Packing unit | 1 pc |
| Note | Made to order (non-returnable) |
| Sales key | C460 |
| Product key | DK6193 |
| GTIN | 4017918941642 |
| Weight per piece (including packing) | 35.63 g |
| Weight per piece (excluding packing) | 35.63 g |
| Customs tariff number | 85364190 |
| Country of origin | JP |

REL-IR/L- 24AC/2X21 - Single relay



2834054

<https://www.phoenixcontact.com/us/products/2834054>

Technical data

Product properties

| | |
|-------------------------|---------------------------|
| Product type | Single relay |
| Operating mode | 100% operating factor |
| Mechanical service life | 5x 10 ⁷ cycles |

Insulation characteristics

| | |
|----------------------|----|
| Overvoltage category | II |
| Pollution degree | 3 |

Data management status

| | |
|------------------------------|------------|
| Date of last data management | 01.04.2026 |
|------------------------------|------------|

Electrical properties

| | |
|---|--|
| Service life electrical | see diagram |
| Maximum power dissipation for nominal condition | 1.3 W |
| Test voltage (Winding/contact) | 2 kV AC (50 Hz, 1 min., winding/contact) |
| Test voltage (Contact/contact) | 2 kV AC (50 Hz, 1 min., contact/contact) |

Input data

Coil side

| | |
|---|--|
| Nominal input voltage U _N | 24 V AC |
| Input voltage range | 18.7 V AC ... 36 V AC |
| Mains frequency | 50/60 Hz |
| Drive and function | monostable |
| Typical input current at U _N | 54 mA (at 50 Hz) 46 mA (At 60 Hz) |
| Typical response time | 4 ms ... 10 ms (AC, depending on phase relation) |
| Typical release time range | 3 ms ... 12 ms (AC, depending on phase relation) |
| Coil resistance | 180 Ω ±15 % (at 20 °C) |

Output data

Switching

| | |
|---------------------------------------|------------------------|
| Contact switching type | 2 changeover contacts |
| Type of switch contact | Single contact |
| Contact material | Ag |
| Maximum switching voltage | 250 V AC/DC |
| Minimum switching voltage | 5 V |
| Limiting continuous current | 10 A |
| Maximum inrush current | 20 A (15 ms) |
| Min. switching current | 1 mA |
| Interrupting rating (ohmic load) max. | 2500 VA (for 250 V AC) |

REL-IR/L- 24AC/2X21 - Single relay



2834054

<https://www.phoenixcontact.com/us/products/2834054>

Connection data

Coil side

| | |
|-------------------|--------------------------|
| Connection method | Plug / solder connection |
|-------------------|--------------------------|

Contact side

| | |
|-------------------|--------------------------|
| Connection method | Plug / solder connection |
|-------------------|--------------------------|

Dimensions

| | |
|--------|---------|
| Width | 21.5 mm |
| Height | 28 mm |
| Depth | 36 mm |

Environmental and real-life conditions

Ambient conditions

| | |
|---|------------------|
| Degree of protection | RT I |
| Ambient temperature (operation) | -55 °C ... 70 °C |
| Ambient temperature (storage/transport) | -55 °C ... 70 °C |

Standards and regulations

| | |
|-----------------------|----------------|
| Standards/regulations | DIN EN 61810-1 |
| | VDE 0435-201 |
| | EN 50178 |

Mounting

| | |
|-------------------|-------------------|
| Assembly note | On relay base PR2 |
| Mounting position | any |

REL-IR/L- 24AC/2X21 - Single relay

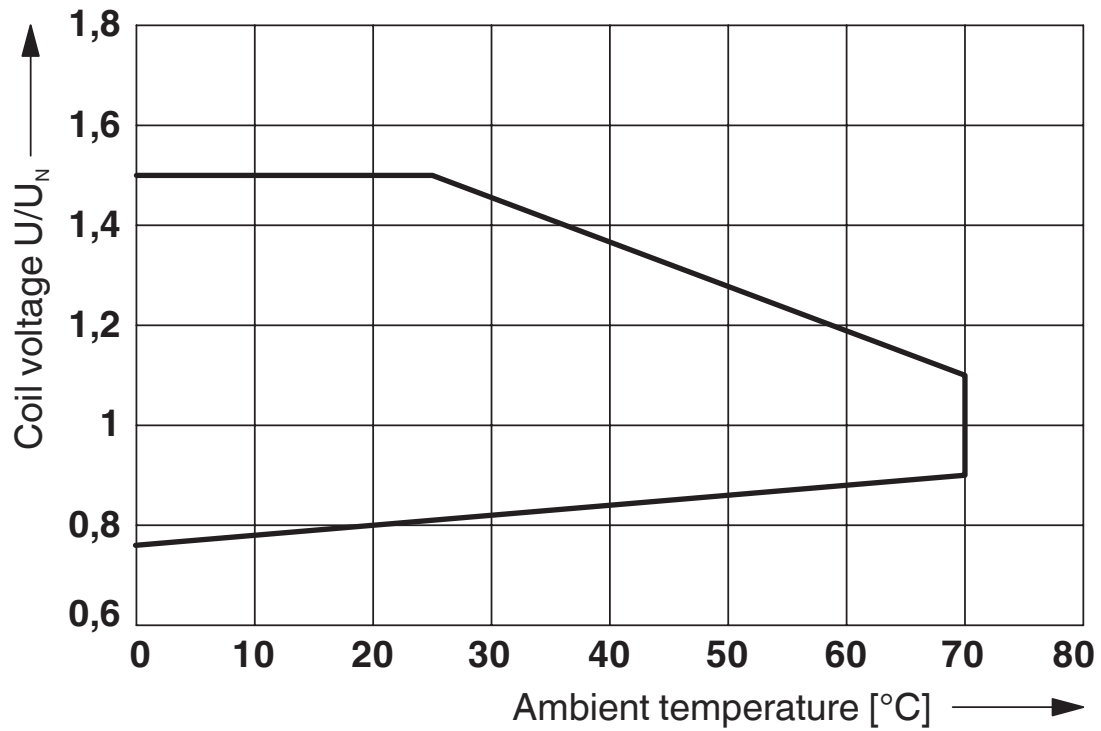


2834054

<https://www.phoenixcontact.com/us/products/2834054>

Drawings

Diagram



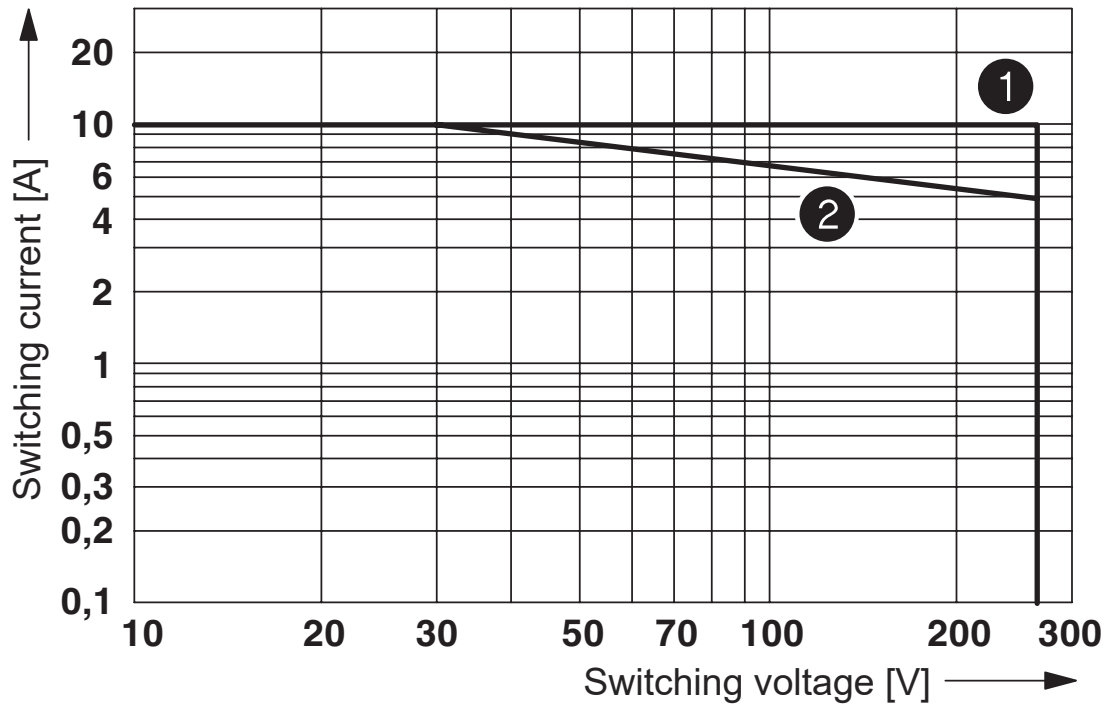
Operating voltage range

REL-IR/L- 24AC/2X21 - Single relay

2834054

<https://www.phoenixcontact.com/us/products/2834054>

Diagram



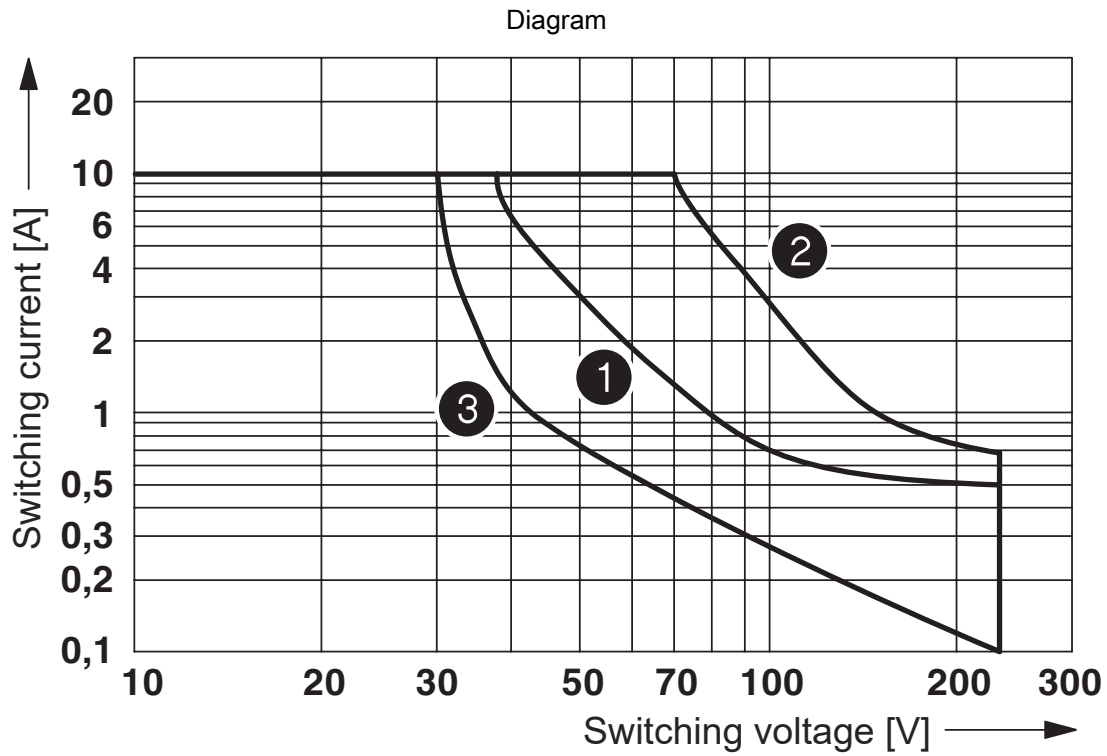
- ① Ohmic load
- ② $\cos \phi = 0.4$

AC interrupting rating

REL-IR/L- 24AC/2X21 - Single relay

2834054

<https://www.phoenixcontact.com/us/products/2834054>



- ① Ohmic load
- ② ohmic load, contacts in series
- ③ L/R < 7 ms

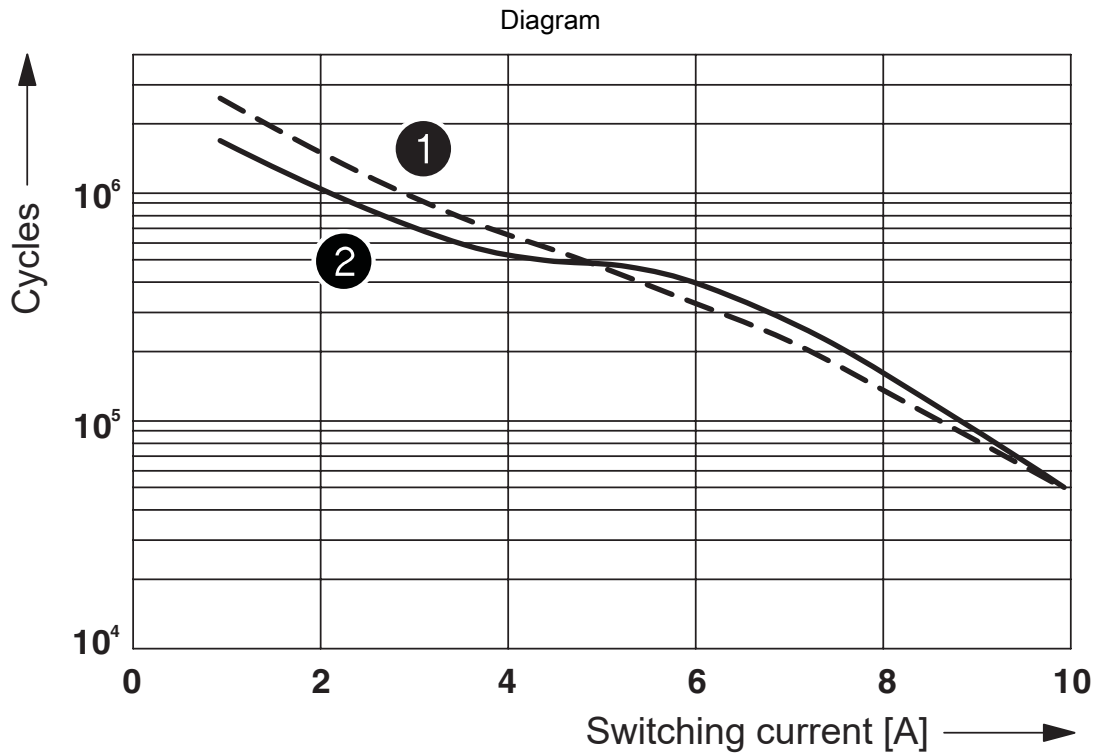
DC interrupting rating

REL-IR/L- 24AC/2X21 - Single relay



2834054

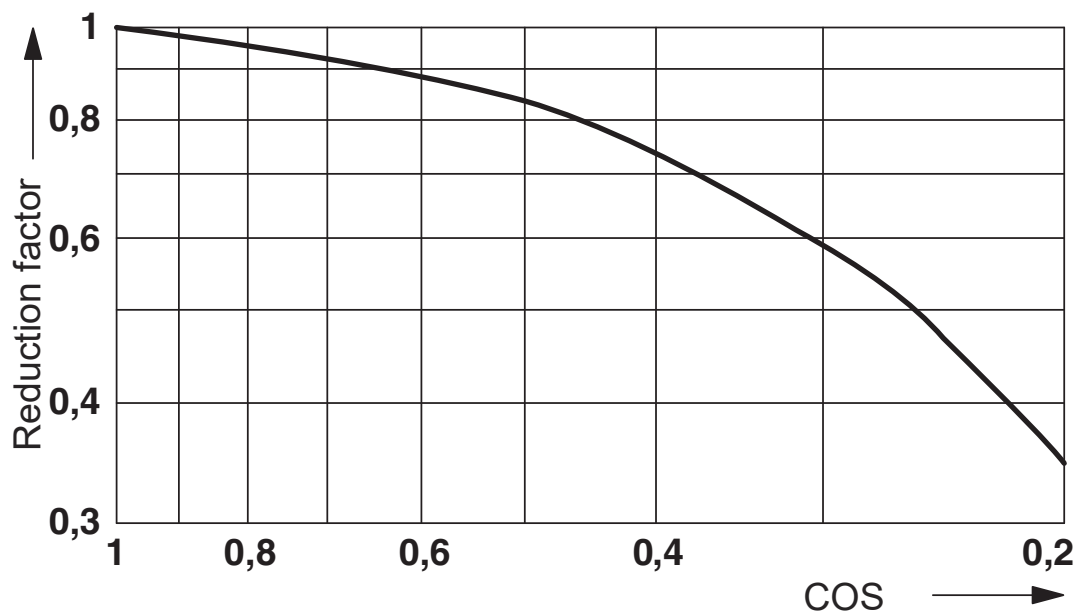
<https://www.phoenixcontact.com/us/products/2834054>



- ① 250 V AC, ohmic load
- ② 30 V DC, ohmic load

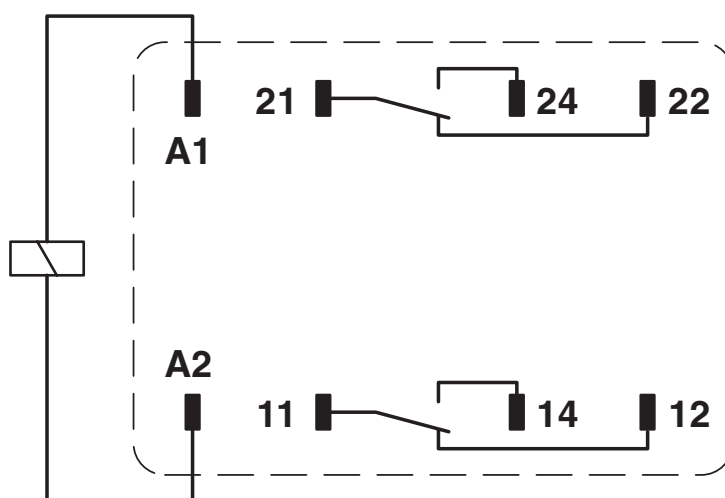
Electrical service life

Diagram



Service life reduction factor

Circuit diagram



Shown without LED and damping diode.
 Contacts 21, 22, 24 are led onto relay base connections 41, 42, 44.

REL-IR/L- 24AC/2X21 - Single relay



2834054

<https://www.phoenixcontact.com/us/products/2834054>

Classifications

UNSPSC

| | |
|-------------|----------|
| UNSPSC 21.0 | 39122334 |
|-------------|----------|

REL-IR/L- 24AC/2X21 - Single relay



2834054

<https://www.phoenixcontact.com/us/products/2834054>

Environmental product compliance

EU RoHS

| | |
|---|--------------------|
| Fulfills EU RoHS substance requirements | Yes, No exemptions |
|---|--------------------|

China RoHS

| | |
|--|--|
| Environment friendly use period (EFUP) | EFUP-E |
| | No hazardous substances above the limits |

EU REACH SVHC

| | |
|-------------------------------------|----------------------------|
| REACH candidate substance (CAS No.) | No substance above 0.1 wt% |
|-------------------------------------|----------------------------|

Phoenix Contact 2026 © - all rights reserved
<https://www.phoenixcontact.com>

Phoenix Contact USA
586 Fulling Mill Road
Middletown, PA 17057, United States
(+717) 944-1300
info@phoenixcon.com