

REL-IR/LDP- 24DC/2X21 - Single relay



2834025

<https://www.phoenixcontact.com/us/products/2834025>

Please be informed that the data shown in this PDF document is generated from our online catalog. Please find the complete data in the user documentation. Our general terms of use for downloads are valid.



Plug-in industrial relay with power contacts, 2 changeover contacts, test button, status LED, freewheeling diode, mechanical switching position indicator, polarity **A1+**, **A2-**, input voltage 24 V DC

Your advantages

- With detectable manual operation
- DC types with integrated freewheeling diode
- Mechanical switch position indicator
- Integrated status LED

Commercial data

Item number	2834025
Packing unit	1 pc
Note	Made to order (non-returnable)
Sales key	C460
Product key	DK6193
GTIN	4017918941628
Weight per piece (including packing)	38.753 g
Weight per piece (excluding packing)	38.38 g
Customs tariff number	85364900
Country of origin	JP

Technical data

Product properties

Product type	Single relay
Operating mode	100% operating factor
Mechanical service life	5x 10 ⁷ cycles

Insulation characteristics

Overvoltage category	II
Pollution degree	2

Data management status

Date of last data management	01.04.2026
------------------------------	------------

Electrical properties

Service life electrical	see diagram
Maximum power dissipation for nominal condition	0.91 W
Test voltage (Winding/contact)	2 kV AC (50 Hz, 1 min., winding/contact)
Test voltage (Contact/contact)	2 kV AC (50 Hz, 1 min., contact/contact)

Input data

Coil side

Nominal input voltage U _N	24 V DC
Input voltage range	18.7 V DC ... 36 V DC
Drive and function	monostable
Typical input current at U _N	38 mA
Typical response time	13 ms
Typical release time	14 ms
Coil resistance	636 Ω ±15 % (at 20 °C)

Output data

Switching

Contact switching type	2 changeover contacts
Type of switch contact	Single contact
Contact material	Ag
Maximum switching voltage	250 V AC/DC
Minimum switching voltage	5 V
Limiting continuous current	10 A
Maximum inrush current	20 A (15 ms)
Min. switching current	1 mA
Interrupting rating (ohmic load) max.	2500 VA (for 250 V AC)

Connection data

Connection method	Plug-in connection
-------------------	--------------------

REL-IR/LDP- 24DC/2X21 - Single relay



2834025

<https://www.phoenixcontact.com/us/products/2834025>

Dimensions

Width	21.5 mm
Height	28 mm
Depth	36 mm

Environmental and real-life conditions

Ambient conditions

Degree of protection	RT I
Ambient temperature (operation)	-55 °C ... 70 °C
Ambient temperature (storage/transport)	-55 °C ... 70 °C

Standards and regulations

Standards/regulations	DIN EN 61810-1
	VDE 0435-201
	EN 50178

Mounting

Assembly note	On relay base PR2
Mounting position	any

Drawings

Diagram



Operating voltage range

2834025

<https://www.phoenixcontact.com/us/products/2834025>

Diagram



AC interrupting rating



- ① Ohmic load
- ② ohmic load, contacts in series
- ③ L/R < 7 ms

DC interrupting rating

2834025

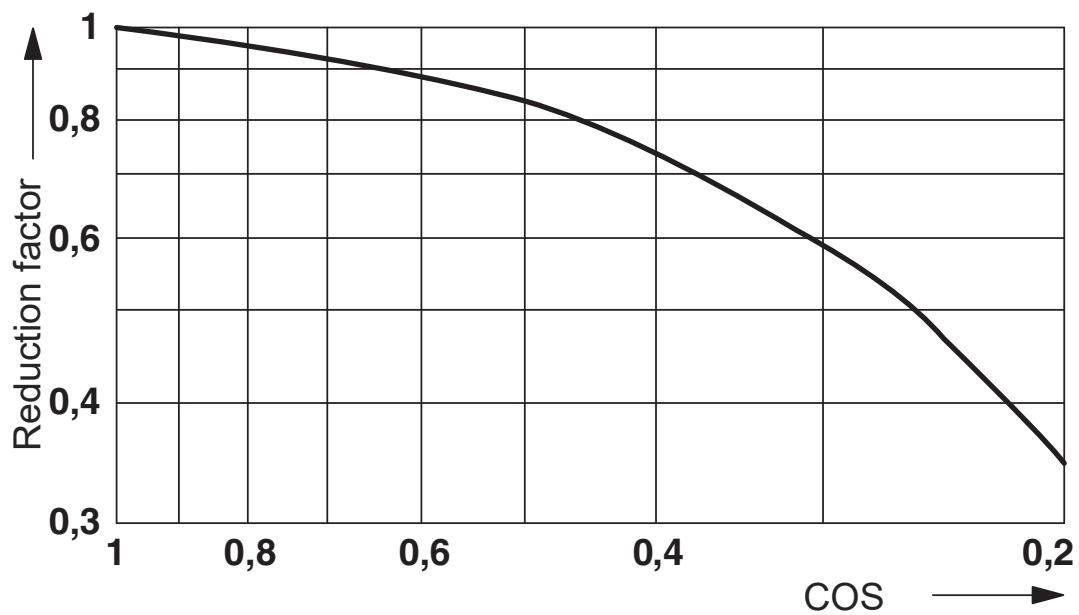
<https://www.phoenixcontact.com/us/products/2834025>



- ① 250 V AC, ohmic load
- ② 30 V DC, ohmic load

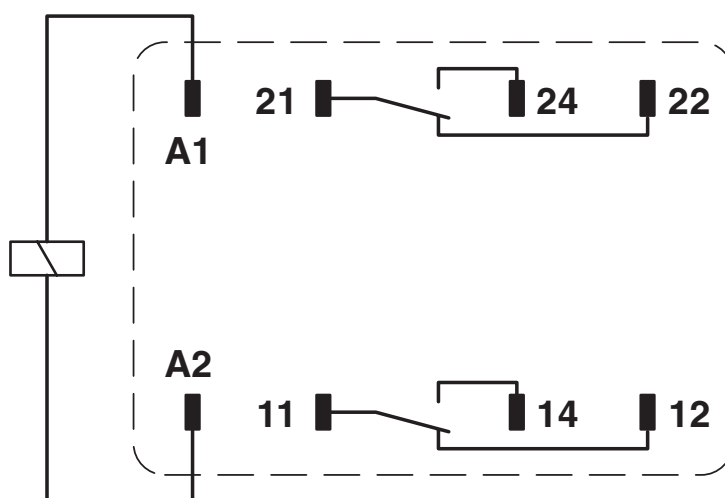
Electrical service life

Diagram



Service life reduction factor

Circuit diagram



Shown without LED and damping diode.
 Contacts 21, 22, 24 are led onto relay base connections 41, 42, 44.

REL-IR/LDP- 24DC/2X21 - Single relay



2834025

<https://www.phoenixcontact.com/us/products/2834025>

Classifications

UNSPSC

UNSPSC 21.0	39122334
-------------	----------

REL-IR/LDP- 24DC/2X21 - Single relay



2834025

<https://www.phoenixcontact.com/us/products/2834025>

Environmental product compliance

EU RoHS

Fulfills EU RoHS substance requirements	Yes, No exemptions
-----------------------------------------	--------------------

China RoHS

Environment friendly use period (EFUP)	EFUP-E
	No hazardous substances above the limits

EU REACH SVHC

REACH candidate substance (CAS No.)	No substance above 0.1 wt%
-------------------------------------	----------------------------

Phoenix Contact 2026 © - all rights reserved
<https://www.phoenixcontact.com>

Phoenix Contact USA
586 Fulling Mill Road
Middletown, PA 17057, United States
(+717) 944-1300
info@phoenixcon.com