

LV3- 12- 24UC - Plug-in module



2833835

<https://www.phoenixcontact.com/us/products/2833835>

Please be informed that the data shown in this PDF document is generated from our online catalog. Please find the complete data in the user documentation. Our general terms of use for downloads are valid.



Plug-in module, for mounting on PR3, with varistor and yellow LED, input voltage: 12 ... 24 V DC $\pm 20\%$

Your advantages

- Mechanical coding to protect against mismatching
- Attenuation of reverse voltage induced in coil

Commercial data

Item number	2833835
Packing unit	1 pc
Sales key	C463
Product key	DKF346
GTIN	4017918934026
Weight per piece (including packing)	7.56 g
Weight per piece (excluding packing)	7 g
Customs tariff number	85366990
Country of origin	CN

LV3- 12- 24UC - Plug-in module

2833835

<https://www.phoenixcontact.com/us/products/2833835>



Technical data

Product properties

Product type	Plug-in module
Product family	ESSENTIAL edition

Electrical properties

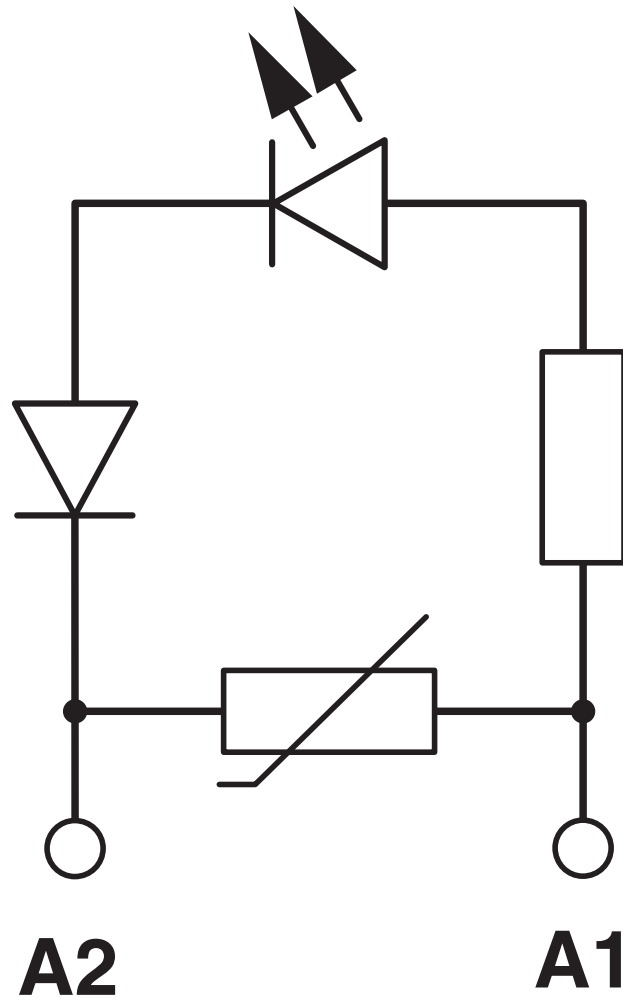
Nominal voltage U_N	12 V AC/DC ... 24 V AC/DC
-----------------------	---------------------------

Input data

Input voltage range	12 V AC/DC ... 24 V AC/DC
---------------------	---------------------------

Drawings

Circuit diagram



LV3- 12- 24UC - Plug-in module



2833835

<https://www.phoenixcontact.com/us/products/2833835>

Classifications

ECLASS

ECLASS-13.0

27371692

ETIM

ETIM 9.0

EC002586

UNSPSC

UNSPSC 21.0

39122300

LV3- 12- 24UC - Plug-in module



2833835

<https://www.phoenixcontact.com/us/products/2833835>

Environmental product compliance

EU RoHS

Fulfills EU RoHS substance requirements	Yes, No exemptions
---	--------------------

China RoHS

Environment friendly use period (EFUP)	EFUP-E
	No hazardous substances above the limits

EU REACH SVHC

REACH candidate substance (CAS No.)	No substance above 0.1 wt%
-------------------------------------	----------------------------

Phoenix Contact 2026 © - all rights reserved
<https://www.phoenixcontact.com>

Phoenix Contact USA
586 Fulling Mill Road
Middletown, PA 17057, United States
(+717) 944-1300
info@phoenixcon.com