

# LDP3-110DC - Plug-in module



2833796

<https://www.phoenixcontact.com/us/products/2833796>

Please be informed that the data shown in this PDF document is generated from our online catalog. Please find the complete data in the user documentation. Our general terms of use for downloads are valid.



Plug-in module, for mounting on PR3, with damping diode and yellow LED, polarity: A1+, A2-, input voltage: 110 V DC  $\pm 20\%$

## Your advantages

- Mechanical coding to protect against mismatching
- Attenuation of reverse voltage induced in coil

## Commercial data

Item number	2833796
Packing unit	1 pc
Sales key	C463
Product key	DK6346
GTIN	4017918933982
Weight per piece (including packing)	6.62 g
Weight per piece (excluding packing)	6.62 g
Customs tariff number	85366990
Country of origin	IT

# LDP3-110DC - Plug-in module



2833796

<https://www.phoenixcontact.com/us/products/2833796>

## Technical data

### Product properties

Product type	Plug-in module
Product family	ESSENTIAL edition

### Electrical properties

Nominal voltage $U_N$	110 V DC
-----------------------	----------

### Input data

Input voltage range	110 V DC
---------------------	----------

# LDP3-110DC - Plug-in module

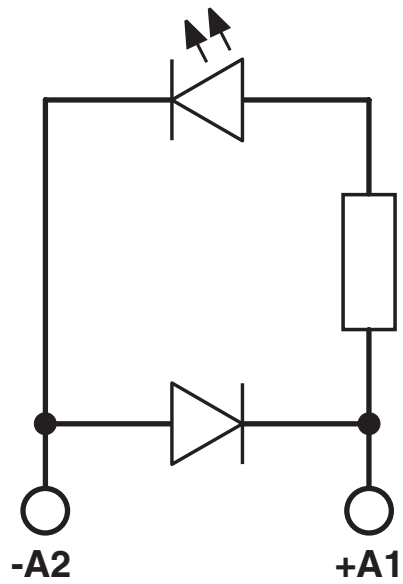
2833796

<https://www.phoenixcontact.com/us/products/2833796>



## Drawings

Circuit diagram



# LDP3-110DC - Plug-in module



2833796

<https://www.phoenixcontact.com/us/products/2833796>

## Environmental product compliance

### EU RoHS

Fulfills EU RoHS substance requirements	Yes, No exemptions
---	--------------------

### China RoHS

Environment friendly use period (EFUP)	EFUP-50
	An article-related China RoHS declaration table can be found in the download area for the respective article under "Manufacturer declaration". For all articles with EFUP-E, no China RoHS declaration table issued and required.

### EU REACH SVHC

REACH candidate substance (CAS No.)	No substance above 0.1 wt%
-------------------------------------	----------------------------

Phoenix Contact 2026 © - all rights reserved  
<https://www.phoenixcontact.com>

Phoenix Contact USA  
586 Fulling Mill Road  
Middletown, PA 17057, United States  
(+717) 944-1300  
[info@phoenixcon.com](mailto:info@phoenixcon.com)