

LDP3- 12- 24DC - Plug-in module



2833770

<https://www.phoenixcontact.com/us/products/2833770>

Please be informed that the data shown in this PDF document is generated from our online catalog. Please find the complete data in the user documentation. Our general terms of use for downloads are valid.



Plug-in module, with freewheeling diode and yellow LED, polarity: **A1+**, **A2-**, input voltage: 12 ... 24 V DC $\pm 20\%$

Your advantages

- Mechanical coding to protect against mismatching
- Attenuation of reverse voltage induced in coil

Commercial data

| | |
|--------------------------------------|---------------|
| Item number | 2833770 |
| Packing unit | 10 pc |
| Minimum order quantity | 10 pc |
| Sales key | C463 |
| Product key | DKF346 |
| GTIN | 4017918933968 |
| Weight per piece (including packing) | 6.47 g |
| Weight per piece (excluding packing) | 6.29 g |
| Customs tariff number | 85366990 |
| Country of origin | CN |

LDP3- 12- 24DC - Plug-in module



2833770

<https://www.phoenixcontact.com/us/products/2833770>

Technical data

Product properties

| | |
|----------------|-------------------|
| Product type | Plug-in module |
| Product family | ESSENTIAL edition |

Electrical properties

| | |
|-----------------------|---------------------|
| Nominal voltage U_N | 12 V DC ... 24 V DC |
|-----------------------|---------------------|

Input data

| | |
|---------------------|-------------------------|
| Input voltage range | 12 V DC ... 24 V DC |
| Protective circuit | Freewheeling diode, LED |

Mounting

| | |
|---------------|------------------|
| Mounting type | Plug-in mounting |
|---------------|------------------|

LDP3- 12- 24DC - Plug-in module

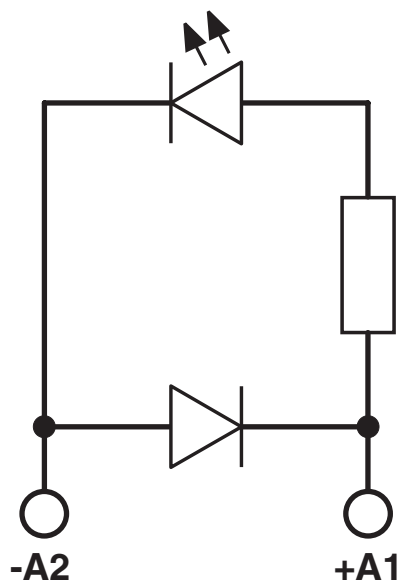
2833770

<https://www.phoenixcontact.com/us/products/2833770>



Drawings

Circuit diagram



LDP3- 12- 24DC - Plug-in module



2833770

<https://www.phoenixcontact.com/us/products/2833770>

Approvals

To download certificates, visit the product detail page: <https://www.phoenixcontact.com/us/products/2833770>



cUL Recognized

Approval ID: E140324



UL Recognized

Approval ID: E140324



EAC

Approval ID: RU C-DE.A*30.B.01742

LDP3- 12- 24DC - Plug-in module



2833770

<https://www.phoenixcontact.com/us/products/2833770>

Classifications

ECLASS

| | |
|-------------|----------|
| ECLASS-13.0 | 27371692 |
| ECLASS-15.0 | 27371692 |

ETIM

| | |
|----------|----------|
| ETIM 9.0 | EC002586 |
|----------|----------|

UNSPSC

| | |
|-------------|----------|
| UNSPSC 21.0 | 39122300 |
|-------------|----------|

LDP3- 12- 24DC - Plug-in module



2833770

<https://www.phoenixcontact.com/us/products/2833770>

Environmental product compliance

EU RoHS

| | |
|---|--------------------|
| Fulfills EU RoHS substance requirements | Yes, No exemptions |
|---|--------------------|

China RoHS

| | |
|--|--|
| Environment friendly use period (EFUP) | EFUP-E |
| | No hazardous substances above the limits |

EU REACH SVHC

| | |
|-------------------------------------|----------------------------|
| REACH candidate substance (CAS No.) | No substance above 0.1 wt% |
|-------------------------------------|----------------------------|

Phoenix Contact 2026 © - all rights reserved
<https://www.phoenixcontact.com>

Phoenix Contact USA
586 Fulling Mill Road
Middletown, PA 17057, United States
(+717) 944-1300
info@phoenixcon.com