

# LV- 48- 60UC - Plug-in module

2833725

<https://www.phoenixcontact.com/us/products/2833725>



Please be informed that the data shown in this PDF document is generated from our online catalog. Please find the complete data in the user documentation. Our general terms of use for downloads are valid.



Plug-in module, for mounting on PR1 and PR2, with varistor and yellow LED, input voltage: 48 ... 60 V AC/DC  $\pm 20\%$

## Your advantages

- Mechanical coding to protect against mismatching
- Attenuation of reverse voltage induced in coil

## Commercial data

Item number	2833725
Packing unit	1 pc
Note	Made to order (non-returnable)
Sales key	C463
Product key	DK6346
GTIN	4017918933913
Weight per piece (including packing)	3.26 g
Weight per piece (excluding packing)	3.26 g
Customs tariff number	85366990
Country of origin	IT

# LV- 48- 60UC - Plug-in module

2833725

<https://www.phoenixcontact.com/us/products/2833725>



## Technical data

### Product properties

Product type	Plug-in module
Product family	ESSENTIAL edition

### Electrical properties

Nominal voltage $U_N$	48 V AC/DC ... 60 V AC/DC
-----------------------	---------------------------

### Input data

Input voltage range	48 V AC/DC ... 60 V AC/DC
---------------------	---------------------------

# LV- 48- 60UC - Plug-in module

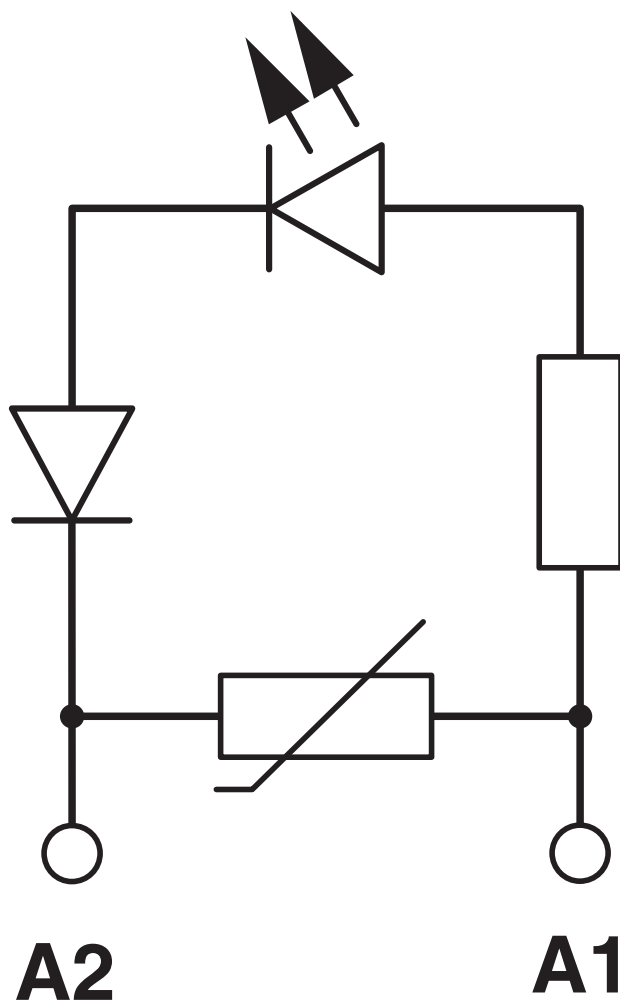
2833725

<https://www.phoenixcontact.com/us/products/2833725>



## Drawings

Circuit diagram



# LV- 48- 60UC - Plug-in module



2833725

<https://www.phoenixcontact.com/us/products/2833725>

## Environmental product compliance

### EU RoHS

Fulfills EU RoHS substance requirements	Yes, No exemptions
---	--------------------

### China RoHS

Environment friendly use period (EFUP)	EFUP-E
	No hazardous substances above the limits

### EU REACH SVHC

REACH candidate substance (CAS No.)	No substance above 0.1 wt%
-------------------------------------	----------------------------

Phoenix Contact 2026 © - all rights reserved  
<https://www.phoenixcontact.com>

Phoenix Contact USA  
586 Fulling Mill Road  
Middletown, PA 17057, United States  
(+717) 944-1300  
[info@phoenixcon.com](mailto:info@phoenixcon.com)