

LDP- 48- 60DC - Plug-in module



2833660

<https://www.phoenixcontact.com/us/products/2833660>

Please be informed that the data shown in this PDF document is generated from our online catalog. Please find the complete data in the user documentation. Our general terms of use for downloads are valid.



Plug-in module, for mounting on PR1 and PR2, with damping diode and yellow LED, polarity: **A1+**, **A2-**, input voltage: 48 ... 60 V DC $\pm 20\%$

Your advantages

- Mechanical coding to protect against mismatching
- Attenuation of reverse voltage induced in coil

Commercial data

Item number	2833660
Packing unit	10 pc
Minimum order quantity	10 pc
Sales key	C463
Product key	DKF346
GTIN	4017918933852
Weight per piece (including packing)	2.66 g
Weight per piece (excluding packing)	2.66 g
Customs tariff number	85366990
Country of origin	CN

LDP- 48- 60DC - Plug-in module

2833660

<https://www.phoenixcontact.com/us/products/2833660>



Technical data

Product properties

Product type	Plug-in module
Product family	ESSENTIAL edition

Electrical properties

Nominal voltage U_N	48 V DC ... 60 V DC
-----------------------	---------------------

Input data

Input voltage range	48 V DC ... 60 V DC
---------------------	---------------------

LDP- 48- 60DC - Plug-in module

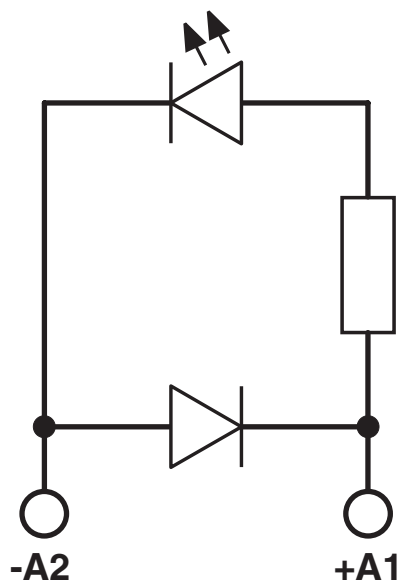
2833660

<https://www.phoenixcontact.com/us/products/2833660>



Drawings

Circuit diagram



LDP- 48- 60DC - Plug-in module



2833660

<https://www.phoenixcontact.com/us/products/2833660>

Approvals

To download certificates, visit the product detail page: <https://www.phoenixcontact.com/us/products/2833660>



cUL Recognized
Approval ID: E140324



UL Recognized
Approval ID: E140324



EAC
Approval ID: RU C-DE.A*30.B.01742

LDP- 48- 60DC - Plug-in module



2833660

<https://www.phoenixcontact.com/us/products/2833660>

Classifications

ECLASS

ECLASS-13.0	27371692
ECLASS-15.0	27371692

ETIM

ETIM 9.0	EC002586
----------	----------

UNSPSC

UNSPSC 21.0	39122300
-------------	----------

LDP- 48- 60DC - Plug-in module



2833660

<https://www.phoenixcontact.com/us/products/2833660>

Environmental product compliance

EU RoHS

Fulfills EU RoHS substance requirements	Yes, No exemptions
---	--------------------

China RoHS

Environment friendly use period (EFUP)	EFUP-E
	No hazardous substances above the limits

EU REACH SVHC

REACH candidate substance (CAS No.)	No substance above 0.1 wt%
-------------------------------------	----------------------------

Phoenix Contact 2026 © - all rights reserved
<https://www.phoenixcontact.com>

Phoenix Contact USA
586 Fulling Mill Road
Middletown, PA 17057, United States
(+717) 944-1300
info@phoenixcon.com