

PRT-S/A-230/FM - Type 3 surge protection device



2830621

<https://www.phoenixcontact.com/us/products/2830621>

Please be informed that the data shown in this PDF document is generated from our online catalog. Please find the complete data in the user documentation. Our general terms of use for downloads are valid.



Equipment protection plug PRT-S with temperature monitoring, visual and acoustic fault warning and remote indicator contact. Nominal voltage: 230 V

Commercial data

Item number	2830621
Packing unit	10 pc
Minimum order quantity	1 pc
Product key	CL1471
GTIN	4017918126674
Weight per piece (including packing)	29.71 g
Weight per piece (excluding packing)	22.67 g
Country of origin	DE

PRT-S/A-230/FM - Type 3 surge protection device



2830621

<https://www.phoenixcontact.com/us/products/2830621>

Technical data

Product properties

Product type	Device protection
Product family	PRINTRAB
Type	Fitted box module
Number of positions	2
Surge protection fault message	Acoustic, optic, remote indicator contact
IEC test classification	III
	T3
EN type	T3

Electrical properties

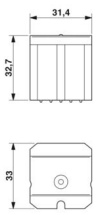
Indicator/remote signaling

Connection name	Remote fault indicator contact
Switching function	N/C contact
Maximum operating voltage U_{max} AC	250 V
Max. operating current I_{max}	3 A (60 °C)
Max. required back-up fuse	4 A (gL)
	3.15 A (gG (5x20))
	4 A (B)

Connection data

Connection method	PRT plug-in system
-------------------	--------------------

Dimensions

Dimensional drawing	
Width	31.5 mm
Height	32.7 mm
Depth	33 mm

Material specifications

Flammability rating according to UL 94	V0
Housing material	PA

Protective circuit

Direction of action	1L-N & N-PE
Nominal frequency f_N	50 Hz

PRT-S/A-230/FM - Type 3 surge protection device



2830621

<https://www.phoenixcontact.com/us/products/2830621>

	60 Hz
Maximum continuous operating voltage U_C	260 V AC
Maximum continuous operating voltage U_C (L-N)	260 V AC
Maximum continuous operating voltage U_C (L/N) - PE	260 V AC
Nominal current I_N	16 A ($\leq 45^\circ\text{C}$)
Rated load current I_L	16 A (45°C)
Protective conductor current I_{PE}	$\leq 1 \mu\text{A}$
Nominal discharge current I_n (8/20) μs	1.5 kA
Nominal discharge current I_n (8/20) μs (L-N)	1.5 kA
Nominal discharge current I_n (8/20) μs (L-PE)	1.5 kA
Energy absorption symmetrical	80 J
Energy absorption, asymmetrical	40 J
Voltage protection level U_p (L-N)	$\leq 1.3 \text{ kV}$
Voltage protection level U_p (L/N-PE)	$\leq 1.5 \text{ kV}$
Response time t_A (L-N)	$\leq 25 \text{ ns}$
Response time t_A (L-PE)	$\leq 100 \text{ ns}$
Response time t_A (N-PE)	$\leq 100 \text{ ns}$
Max. required back-up fuse	16 A (gL)
Short-circuit current rating I_P with max. backup fuse (r.m.s.)	1.5 kA

Environmental and real-life conditions

Ambient conditions

Degree of protection	IP40
Ambient temperature (operation)	$-25^\circ\text{C} \dots 75^\circ\text{C}$

Standards and regulations

Standards

Standards/regulations	IEC 61643-1
	DIN EN 61643-11/A11
	IEC 61643-1
	EN 61643-11/A11

Air clearances and creepage distances

Standards/regulations	IEC 60664-1 / IEC 61643-1
Standards/specifications	IEC 61643-1
Note	2005
Standards/specifications	DIN EN 61643-11
Note	2002
Standards/specifications	DIN EN 61643-11/A11
Note	2007

Mounting

Mounting type	UP/channel installation
---------------	-------------------------

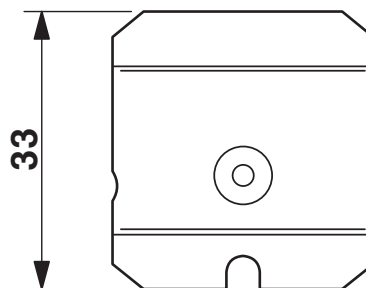
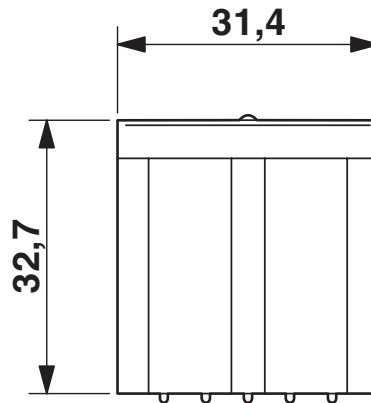
PRT-S/A-230/FM - Type 3 surge protection device

2830621

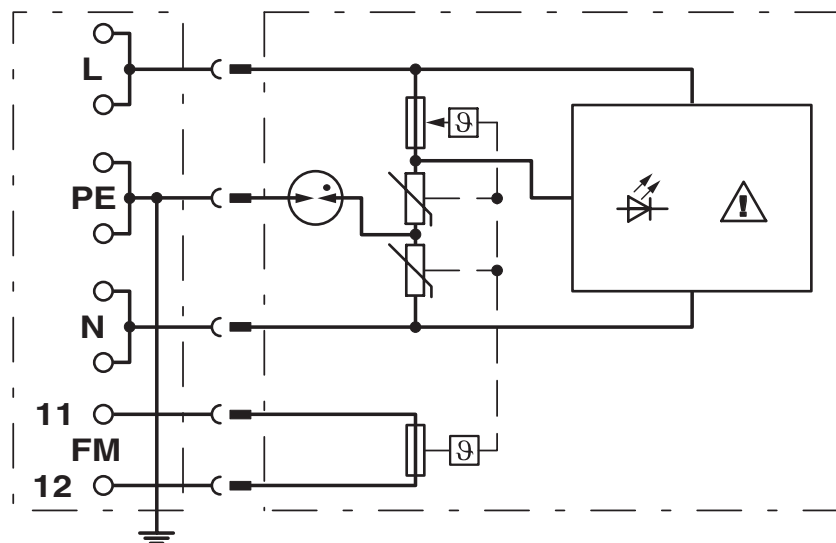
<https://www.phoenixcontact.com/us/products/2830621>

Drawings

Dimensional drawing



Circuit diagram



1 = signaling
2 = optional

PRT-S/A-230/FM - Type 3 surge protection device



2830621

<https://www.phoenixcontact.com/us/products/2830621>

Environmental product compliance

EU REACH SVHC

REACH candidate substance (CAS No.)	No substance above 0.1 wt%
-------------------------------------	----------------------------

Phoenix Contact 2026 © - all rights reserved

<https://www.phoenixcontact.com>

Phoenix Contact USA
586 Fulling Mill Road
Middletown, PA 17057, United States
(+717) 944-1300
info@phoenixcon.com