

ZFK-RELG 7 - Basic terminal block

2829933

<https://www.phoenixcontact.com/us/products/2829933>

Please be informed that the data shown in this PDF document is generated from our online catalog. Please find the complete data in the user documentation. Our general terms of use for downloads are valid.



The figure shows versions with a different no. of positions

Basic termination blocks with spring-cage connection for NS 35/7.5 DIN rail, with end cover, for ST-REL..., ST-OV... and ST-OE... plugs, 7-pos.

Commercial data

Item number	2829933
Packing unit	1 pc
Note	Made to order (non-returnable)
Sales key	C460
Product key	DK6116
GTIN	4017918101183
Weight per piece (including packing)	85.27 g
Weight per piece (excluding packing)	84.9 g
Customs tariff number	85369010
Country of origin	PL

ZFK-RELG 7 - Basic terminal block

2829933

<https://www.phoenixcontact.com/us/products/2829933>

Technical data

Product properties

Product type	Relay socket
Number of positions	7

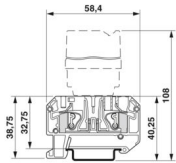
Electrical properties

Nominal voltage U_N	400 V (voltage is determined by the coupling connector.)
Nominal current I_N	16 A (current is determined by the coupling connector.)

Connection data

Connection method	Spring-cage connection
Stripping length	14 mm
Conductor cross-section rigid	0.5 mm ² ... 6 mm ²
Conductor cross-section flexible	0.4 mm ² ... 4 mm ²
Conductor cross-section AWG	20 ... 10

Dimensions

Dimensional drawing	
Width	45.6 mm (with cover)
Height	58.4 mm
Depth	108 mm

Material specifications

Color	gray (RAL 7042)
Insulating material	PA

Environmental and real-life conditions

Ambient conditions

Ambient temperature (operation)	-20 °C ... 50 °C
Ambient temperature (storage/transport)	-20 °C ... 70 °C

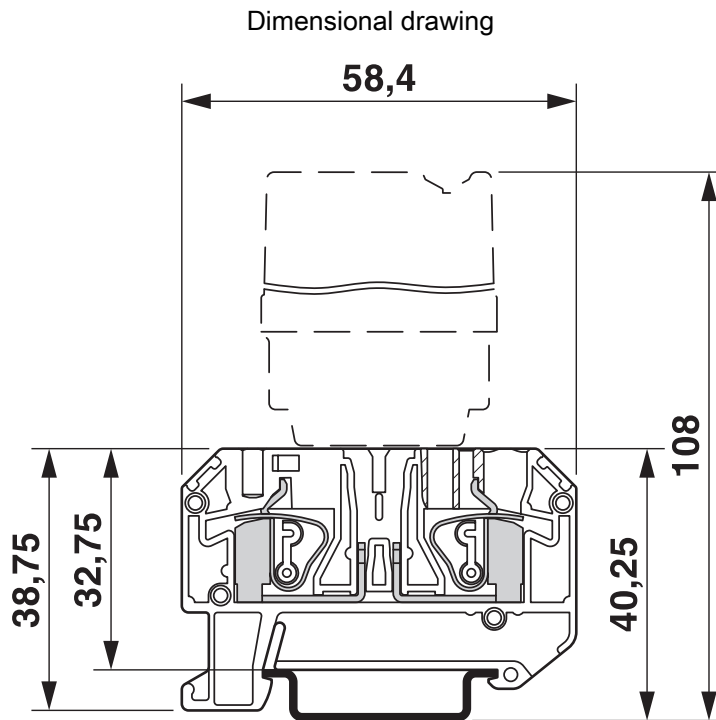
ZFK-RELG 7 - Basic terminal block

2829933

<https://www.phoenixcontact.com/us/products/2829933>



Drawings

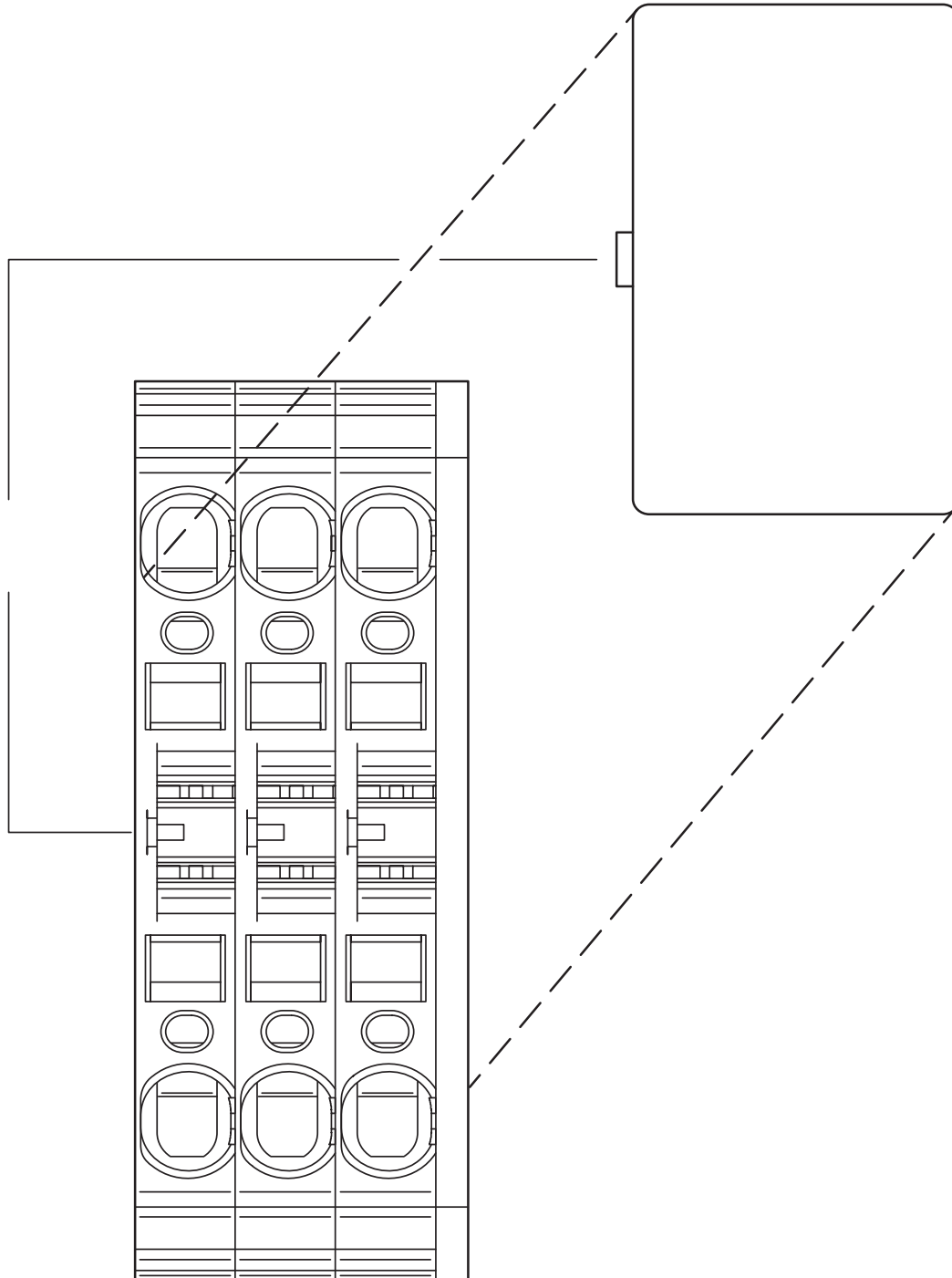


ZFK-RELG 7 - Basic terminal block

2829933

<https://www.phoenixcontact.com/us/products/2829933>

Schematic diagram



- 1 = Coupling connector
- 2 = Coding
- 3 = Cover
- 4 = Basic termination block

ZFK-RELG 7 - Basic terminal block



2829933

<https://www.phoenixcontact.com/us/products/2829933>

Environmental product compliance

EU RoHS

Fulfills EU RoHS substance requirements	Yes, No exemptions
---	--------------------

China RoHS

Environment friendly use period (EFUP)	EFUP-E
	No hazardous substances above the limits

EU REACH SVHC

REACH candidate substance (CAS No.)	No substance above 0.1 wt%
-------------------------------------	----------------------------

Phoenix Contact 2026 © - all rights reserved
<https://www.phoenixcontact.com>

Phoenix Contact USA
586 Fulling Mill Road
Middletown, PA 17057, United States
(+717) 944-1300
info@phoenixcon.com