

# ZFK-RELG 4 - Basic terminal block

2829920

<https://www.phoenixcontact.com/us/products/2829920>

Please be informed that the data shown in this PDF document is generated from our online catalog. Please find the complete data in the user documentation. Our general terms of use for downloads are valid.



The figure shows versions with a different no. of positions

Basic termination blocks with spring-cage connection for NS 35/7.5 DIN rail, with end cover, for ST-REL..., ST-OV... and ST-OE... plugs, 4-pos.

## Commercial data

Item number	2829920
Packing unit	10 pc
Minimum order quantity	1 pc
Product key	DK6116
GTIN	4017918101176
Weight per piece (including packing)	49.81 g
Weight per piece (excluding packing)	49.81 g
Country of origin	PL

# ZFK-RELG 4 - Basic terminal block

2829920

<https://www.phoenixcontact.com/us/products/2829920>

## Technical data

### Product properties

Product type	Relay socket
Number of positions	4

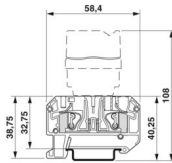
### Electrical properties

Nominal voltage $U_N$	400 V (voltage is determined by the coupling connector.)
Nominal current $I_N$	16 A (current is determined by the coupling connector.)

### Connection data

Connection method	Spring-cage connection
Stripping length	14 mm
Conductor cross-section rigid	0.5 mm <sup>2</sup> ... 6 mm <sup>2</sup>
Conductor cross-section flexible	0.4 mm <sup>2</sup> ... 4 mm <sup>2</sup>
Conductor cross-section AWG	20 ... 10

### Dimensions

Dimensional drawing	
Width	27 mm (with cover)
Height	58.4 mm
Depth	108 mm

### Material specifications

Color	gray (RAL 7042)
Insulating material	PA

### Environmental and real-life conditions

#### Ambient conditions

Ambient temperature (operation)	-20 °C ... 50 °C
Ambient temperature (storage/transport)	-20 °C ... 70 °C

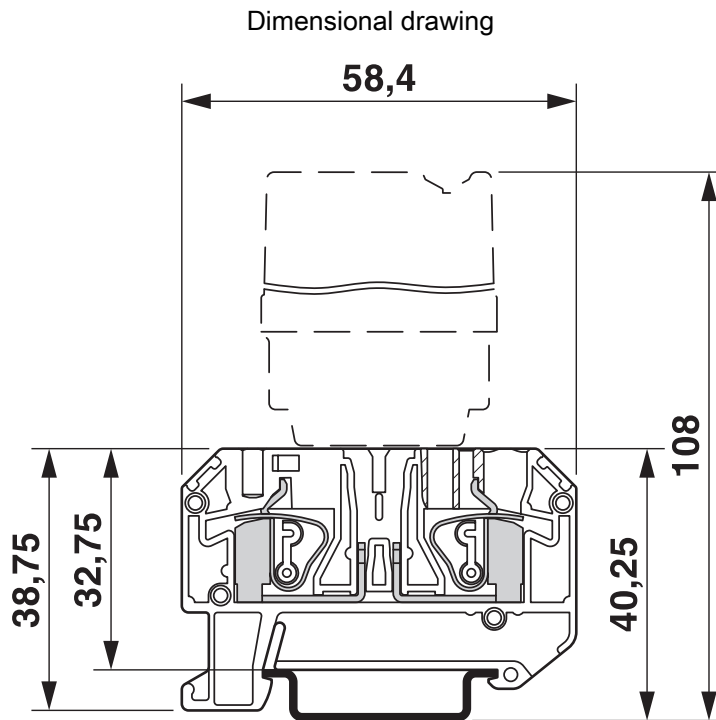
# ZFK-RELG 4 - Basic terminal block

2829920

<https://www.phoenixcontact.com/us/products/2829920>



## Drawings

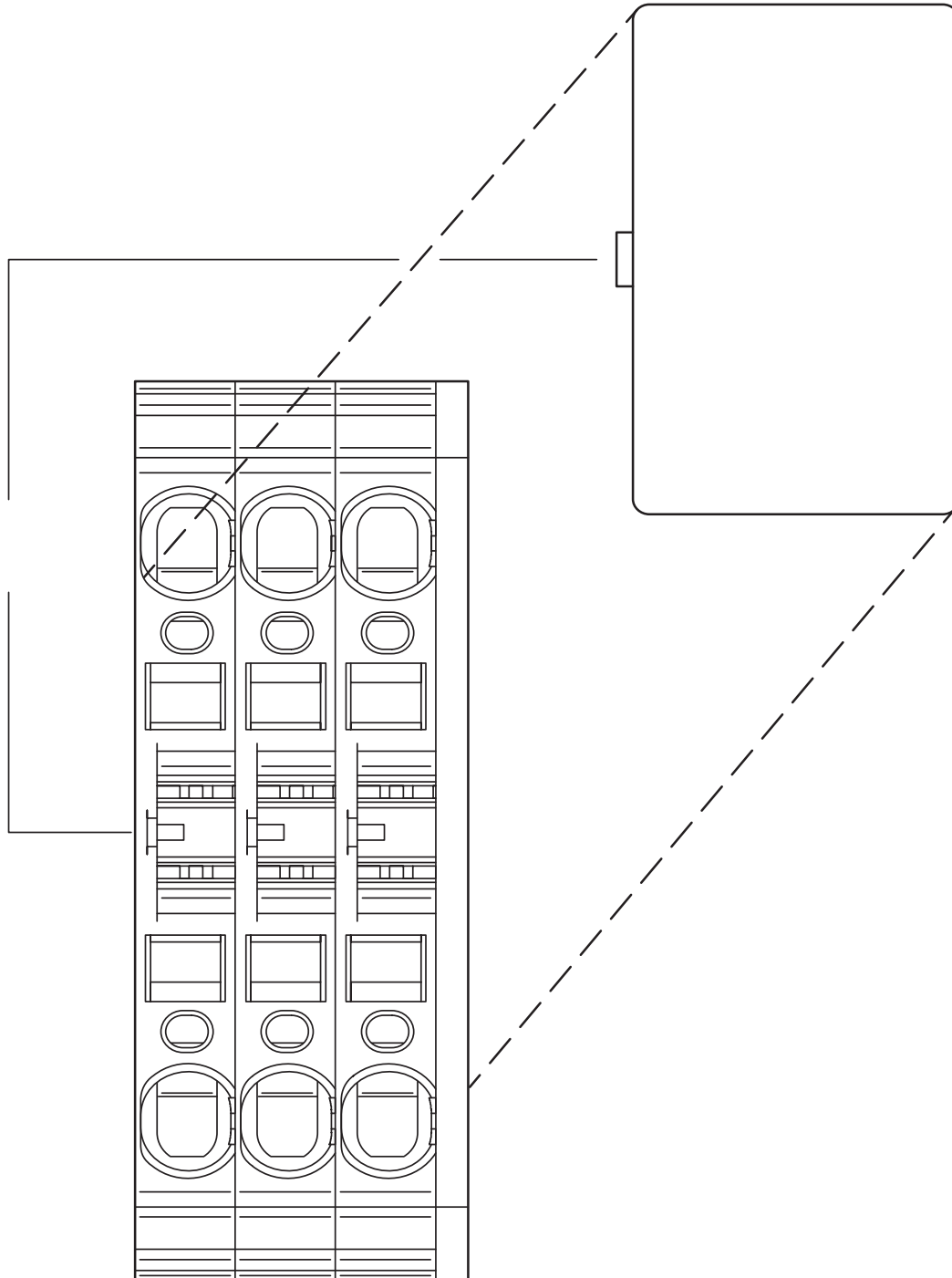


# ZFK-RELG 4 - Basic terminal block

2829920

<https://www.phoenixcontact.com/us/products/2829920>

Schematic diagram



- 1 = Coupling connector
- 2 = Coding
- 3 = Cover
- 4 = Basic termination block

# ZFK-RELG 4 - Basic terminal block



2829920

<https://www.phoenixcontact.com/us/products/2829920>

## Environmental product compliance

### China RoHS

Environment friendly use period (EFUP)	EFUP-50
	An article-related China RoHS declaration table can be found in the download area for the respective article under "Manufacturer declaration". For all articles with EFUP-E, no China RoHS declaration table issued and required.

### EU REACH SVHC

REACH candidate substance (CAS No.)	No substance above 0.1 wt%
-------------------------------------	----------------------------

Phoenix Contact 2026 © - all rights reserved  
<https://www.phoenixcontact.com>

Phoenix Contact USA  
586 Fulling Mill Road  
Middletown, PA 17057, United States  
(+717) 944-1300  
[info@phoenixcon.com](mailto:info@phoenixcon.com)