

ZFK-RELG 2 - Basic terminal block

2829904

<https://www.phoenixcontact.com/us/products/2829904>

Please be informed that the data shown in this PDF document is generated from our online catalog. Please find the complete data in the user documentation. Our general terms of use for downloads are valid.



The figure shows versions with a different no. of positions

Basic termination blocks with spring-cage connection for NS 35/7.5 DIN rail, with end cover, for ST-REL..., ST-OV... and ST-OE... plugs, 2-pos.

Commercial data

| | |
|--------------------------------------|---------------|
| Item number | 2829904 |
| Packing unit | 10 pc |
| Minimum order quantity | 10 pc |
| Sales key | C460 |
| Product key | DK61B4 |
| GTIN | 4017918101152 |
| Weight per piece (including packing) | 27.47 g |
| Weight per piece (excluding packing) | 27 g |
| Customs tariff number | 85369010 |
| Country of origin | PL |

ZFK-RELG 2 - Basic terminal block

2829904

<https://www.phoenixcontact.com/us/products/2829904>

Technical data

Product properties

| | |
|---------------------|--------------|
| Product type | Relay socket |
| Number of positions | 2 |

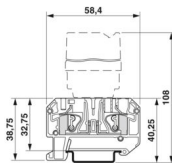
Electrical properties

| | |
|-----------------------|--|
| Nominal voltage U_N | 400 V (voltage is determined by the coupling connector.) |
| Nominal current I_N | 16 A (current is determined by the coupling connector.) |

Connection data

| | |
|----------------------------------|---|
| Connection method | Spring-cage connection |
| Stripping length | 14 mm |
| Conductor cross-section rigid | 0.5 mm ² ... 6 mm ² |
| Conductor cross-section flexible | 0.4 mm ² ... 4 mm ² |
| Conductor cross-section AWG | 20 ... 10 |

Dimensions

| | |
|---------------------|--|
| Dimensional drawing |  |
| Width | 14.6 mm (with cover) |
| Height | 58.4 mm |
| Depth | 108 mm |

Material specifications

| | |
|---------------------|-----------------|
| Color | gray (RAL 7042) |
| Insulating material | PA |

Environmental and real-life conditions

Ambient conditions

| | |
|---|------------------|
| Ambient temperature (operation) | -20 °C ... 50 °C |
| Ambient temperature (storage/transport) | -20 °C ... 70 °C |

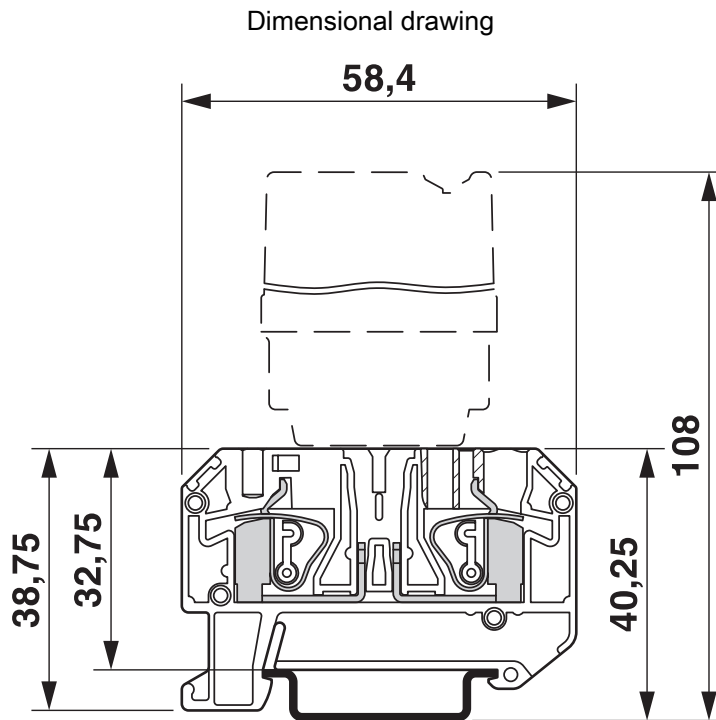
ZFK-RELG 2 - Basic terminal block

2829904

<https://www.phoenixcontact.com/us/products/2829904>



Drawings

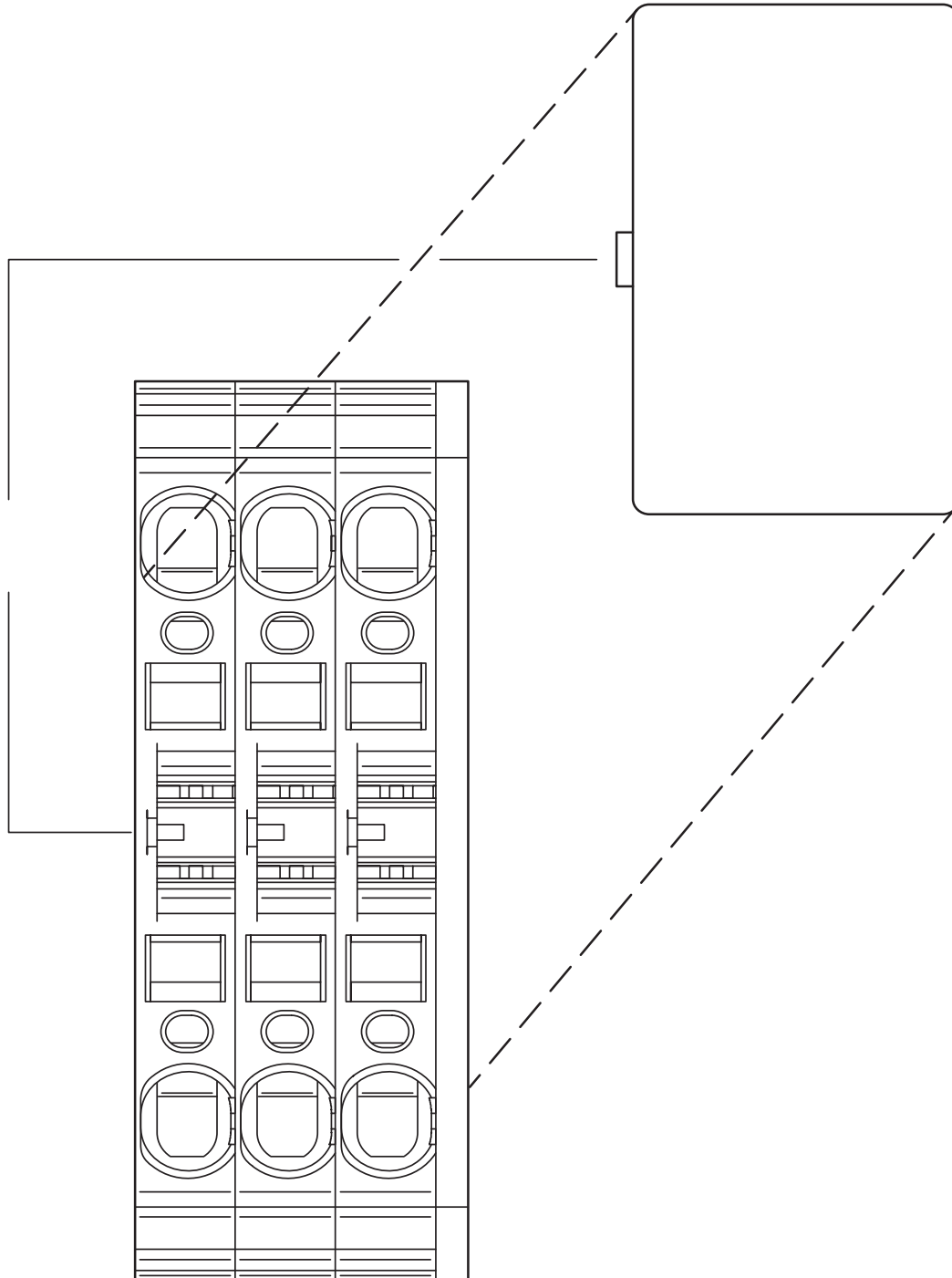


ZFK-RELG 2 - Basic terminal block

2829904

<https://www.phoenixcontact.com/us/products/2829904>

Schematic diagram



- 1 = Coupling connector
- 2 = Coding
- 3 = Cover
- 4 = Basic termination block

ZFK-RELG 2 - Basic terminal block



2829904

<https://www.phoenixcontact.com/us/products/2829904>

Classifications

ECLASS

ECLASS-13.0

27371603

UNSPSC

UNSPSC 21.0

39122300

ZFK-RELG 2 - Basic terminal block



2829904

<https://www.phoenixcontact.com/us/products/2829904>

Environmental product compliance

EU RoHS

| | |
|---|--------------------|
| Fulfills EU RoHS substance requirements | Yes, No exemptions |
|---|--------------------|

China RoHS

| | |
|--|--|
| Environment friendly use period (EFUP) | EFUP-E |
| | No hazardous substances above the limits |

EU REACH SVHC

| | |
|-------------------------------------|----------------------------|
| REACH candidate substance (CAS No.) | No substance above 0.1 wt% |
|-------------------------------------|----------------------------|

Phoenix Contact 2026 © - all rights reserved
<https://www.phoenixcontact.com>

Phoenix Contact USA
586 Fulling Mill Road
Middletown, PA 17057, United States
(+717) 944-1300
info@phoenixcon.com