

ST-REL4-KG 24/ 1- 1/AU - Relay connectors



2829506

<https://www.phoenixcontact.com/us/products/2829506>

Please be informed that the data shown in this PDF document is generated from our online catalog. Please find the complete data in the user documentation. Our general terms of use for downloads are valid.



Relay connector, fitted with miniature switching relay, contacts (AgNi+Au): Small to large loads, 2 N/O contacts, 24 V AC/DC input voltage, with light indicator, can be plugged into basic terminal blocks

The figure shows version ST-REL 4-HW 24/1-1

Commercial data

Item number	2829506
Packing unit	10 pc
Minimum order quantity	1 pc
Note	Made to order (non-returnable)
Product key	DK6124
GTIN	4017918078492
Weight per piece (including packing)	44.6 g
Weight per piece (excluding packing)	44.6 g
Country of origin	DE

ST-REL4-KG 24/ 1- 1/AU - Relay connectors



2829506

<https://www.phoenixcontact.com/us/products/2829506>

Technical data

Product properties

Product type	Relay Module
Operating mode	100% operating factor
Mechanical service life	approx. 5×10^7 cycles

Data management status

Date of last data management	01.04.2026
------------------------------	------------

Electrical properties

Maximum power dissipation for nominal condition	0.46 W
Test voltage (Winding/contact)	2.5 kV AC (50 Hz, 1 min., winding/contact)
Test voltage (Contact/contact)	2 kV AC (50 Hz, 1 min., contact/contact)

Input data

Coil side

Nominal input voltage U_N	24 V AC/DC
Input voltage range	21.6 V AC/DC ... 26.4 V AC/DC
Input voltage range in reference to U_N	0.9 ... 1.1
Drive and function	monostable
Typical input current at U_N	19 mA
Typical response time	9 ms
Typical release time	10 ms
Protective circuit	Bridge rectifier, varistor
Operating voltage display	yes

Output data

Switching

Contact switching type	Single contact, 2 N/O contact
Type of switch contact	Single contact
Contact material	Hard gold plated AgNi
Maximum switching voltage	30 V AC/DC
Limiting continuous current	50 mA
Maximum inrush current	50 mA
Interrupting rating (ohmic load) max.	1.2 W (at 24 V DC)

Switching: when the gold layer is destroyed

Note	the following values are applicable if a gold layer is destroyed
Maximum switching voltage	250 V AC/DC
Limiting continuous current	5 A
Maximum inrush current	6 A

ST-REL4-KG 24/ 1- 1/AU - Relay connectors



2829506

<https://www.phoenixcontact.com/us/products/2829506>

Interrupting rating (ohmic load) max.	120 W (at 24 V DC)
	85 W (at 48 V DC)
	60 W (at 60 V DC)
	40 W (at 110 V DC)
	60 W (at 220 V DC)
	1250 VA (for 250 V AC)

Dimensions

Width	27 mm
Height	33 mm
Depth	66.5 mm

Material specifications

Color	green (RAL 6021)
-------	------------------

Environmental and real-life conditions

Ambient conditions

Ambient temperature (operation)	-20 °C ... 50 °C
Ambient temperature (storage/transport)	-20 °C ... 70 °C

Standards and regulations

Standards/regulations	DIN VDE 0110b, Gr. C for 250 V DC
	IEC 60255/DIN VDE 0435 (in relevant parts)
	DIN EN 50178/VDE 0160 (in relevant parts)
	EN 60730/DIN VDE 0631
	DIN VDE 0160 (in relevant parts)

Mounting

Mounting type	Plug-in mounting
Mounting position	any

ST-REL4-KG 24/ 1- 1/AU - Relay connectors

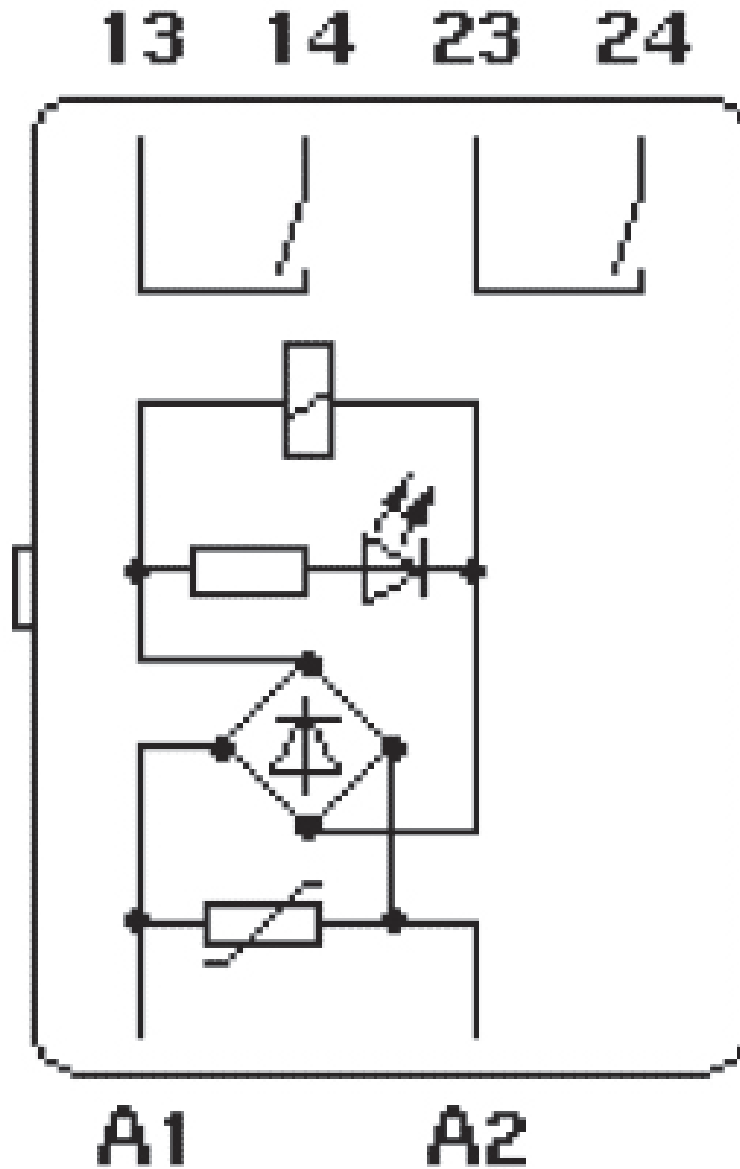


2829506

<https://www.phoenixcontact.com/us/products/2829506>

Drawings

Circuit diagram



ST-REL4-KG 24/ 1- 1/AU - Relay connectors



2829506

<https://www.phoenixcontact.com/us/products/2829506>

Environmental product compliance

China RoHS

Environment friendly use period (EFUP)	EFUP-50
	An article-related China RoHS declaration table can be found in the download area for the respective article under "Manufacturer declaration". For all articles with EFUP-E, no China RoHS declaration table issued and required.

EU REACH SVHC

REACH candidate substance (CAS No.)	No substance above 0.1 wt%
-------------------------------------	----------------------------

Phoenix Contact 2026 © - all rights reserved
<https://www.phoenixcontact.com>

Phoenix Contact USA
586 Fulling Mill Road
Middletown, PA 17057, United States
(+717) 944-1300
info@phoenixcon.com