

# ST-REL4-KG120/ 1- 1/AU - Relay connectors



2829470

<https://www.phoenixcontact.com/us/products/2829470>

Please be informed that the data shown in this PDF document is generated from our online catalog. Please find the complete data in the user documentation. Our general terms of use for downloads are valid.



Relay connector, fitted with miniature switching relay, contacts (AgNi+Au): Small to large loads, 2 N/O contacts, 120 V AC/DC input voltage, with light indicator, can be plugged into basic terminal blocks

The figure shows version ST-REL 4-HW 24/1-1

## Commercial data

Item number	2829470
Packing unit	1 pc
Note	Made to order (non-returnable)
Sales key	C460
Product key	DK6124
GTIN	4017918078485
Weight per piece (including packing)	44.53 g
Weight per piece (excluding packing)	44.51 g
Customs tariff number	85364900
Country of origin	DE

# ST-REL4-KG120/ 1- 1/AU - Relay connectors



2829470

<https://www.phoenixcontact.com/us/products/2829470>

## Technical data

### Product properties

Product type	Relay Module
Operating mode	100% operating factor
Mechanical service life	approx. $2 \times 10^7$ cycles

### Data management status

Date of last data management	01.04.2026
------------------------------	------------

### Electrical properties

Maximum power dissipation for nominal condition	0.6 W
Test voltage (Winding/contact)	2.5 kV AC (50 Hz, 1 min., winding/contact)
Test voltage (N/O contact / N/O contact)	2 kV AC (50 Hz, 1 min., N/O contact / N/O contact)

### Input data

#### Coil side

Nominal input voltage $U_N$	120 V AC/DC
Input voltage range	96 V AC/DC ... 127.2 V AC/DC
Input voltage range in reference to $U_N$	0.8 ... 1.06
Drive and function	monostable
Typical input current at $U_N$	5 mA
Typical response time	10 ms (with DC)
Typical release time	10 ms (with DC)
Protective circuit	Bridge rectifier, varistor
Operating voltage display	yes

### Output data

#### Switching

Contact switching type	Single contact, 2 N/O contact
Type of switch contact	Single contact
Contact material	Hard gold plated AgNi
Maximum switching voltage	30 V AC/DC
Limiting continuous current	50 mA
Maximum inrush current	50 mA
Interrupting rating (ohmic load) max.	1.2 W (at 24 V DC)

#### Switching: when the gold layer is destroyed

Note	<b>the following values are applicable if a gold layer is destroyed</b>
Maximum switching voltage	250 V AC/DC
Limiting continuous current	5 A
Maximum inrush current	6 A

# ST-REL4-KG120/ 1- 1/AU - Relay connectors



2829470

<https://www.phoenixcontact.com/us/products/2829470>

Interrupting rating (ohmic load) max.	120 W (at 24 V DC)
	85 W (at 48 V DC)
	60 W (at 60 V DC)
	40 W (at 110 V DC)
	60 W (at 220 V DC)
	1100 VA (for 250 V AC)

## Dimensions

Width	27 mm
Height	33 mm
Depth	66.5 mm

## Material specifications

Color	green (RAL 6021)
-------	------------------

## Environmental and real-life conditions

### Ambient conditions

Ambient temperature (operation)	-20 °C ... 50 °C
Ambient temperature (storage/transport)	-20 °C ... 70 °C

## Standards and regulations

Standards/regulations	DIN VDE 0110b, Gr. C for 250 V DC
	IEC 60255/DIN VDE 0435 (in relevant parts)
	DIN EN 50178/VDE 0160 (in relevant parts)
	EN 60730/DIN VDE 0631
	DIN VDE 0160 (in relevant parts)

## Mounting

Mounting type	Plug-in mounting
---------------	------------------

# ST-REL4-KG120/ 1- 1/AU - Relay connectors

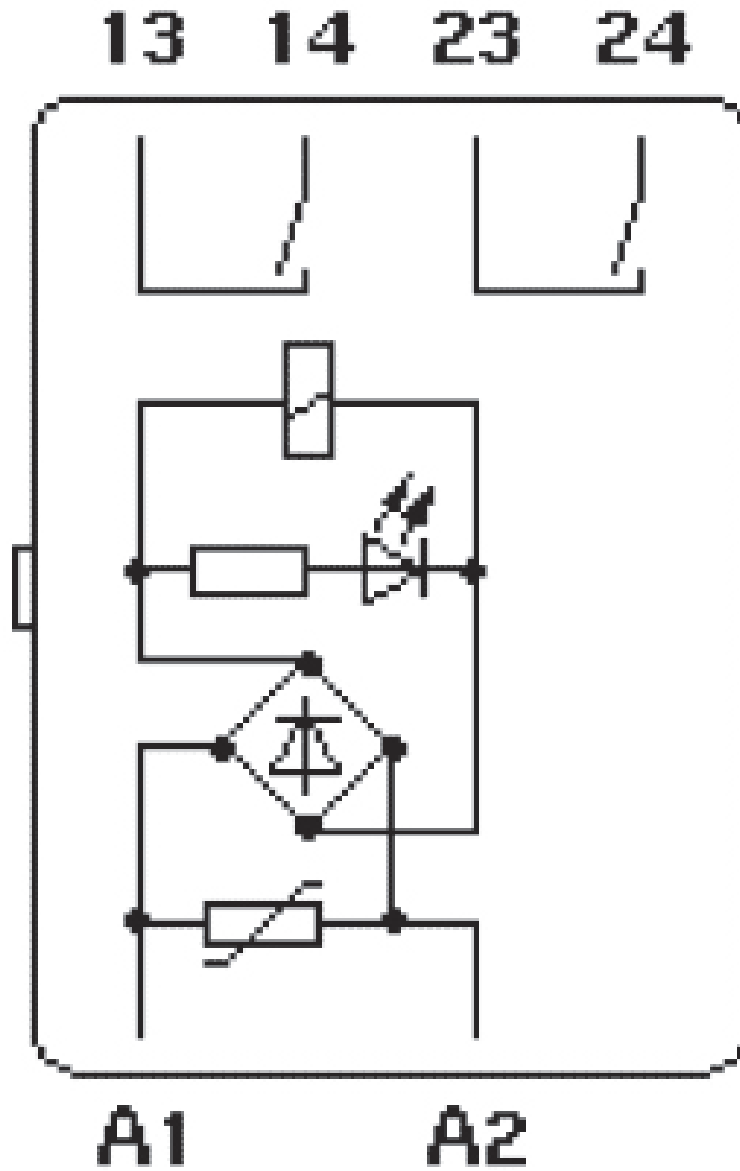


2829470

<https://www.phoenixcontact.com/us/products/2829470>

## Drawings

Circuit diagram



# ST-REL4-KG120/ 1- 1/AU - Relay connectors



2829470

<https://www.phoenixcontact.com/us/products/2829470>

## Classifications

### UNSPSC

UNSPSC 21.0	39122334
-------------	----------

2829470

<https://www.phoenixcontact.com/us/products/2829470>

## Environmental product compliance

### EU RoHS

Fulfills EU RoHS substance requirements	Yes
Exemption	7(a)

### China RoHS

Environment friendly use period (EFUP)	EFUP-50
	An article-related China RoHS declaration table can be found in the download area for the respective article under "Manufacturer declaration". For all articles with EFUP-E, no China RoHS declaration table issued and required.

### EU REACH SVHC

REACH candidate substance (CAS No.)	Hexahydromethylphthalic anhydride(CAS: n/a)
	Lead(CAS: 7439-92-1)

Phoenix Contact 2026 © - all rights reserved

<https://www.phoenixcontact.com>

Phoenix Contact USA  
586 Fulling Mill Road  
Middletown, PA 17057, United States  
(+717) 944-1300  
[info@phoenixcon.com](mailto:info@phoenixcon.com)