

ST-REL3-KG230/21/AU - Relay connectors



2826172

<https://www.phoenixcontact.com/us/products/2826172>

Please be informed that the data shown in this PDF document is generated from our online catalog. Please find the complete data in the user documentation. Our general terms of use for downloads are valid.



Relay connector, equipped with miniature switching relay, contacts (AgPd60): small loads, 1 changeover contact, input voltage 230 V AC, with LED display, pluggable into basic terminal blocks

The figure shows version ST-REL3-KG 24/21 AU

Commercial data

| | |
|--------------------------------------|--------------------------------|
| Item number | 2826172 |
| Packing unit | 1 pc |
| Note | Made to order (non-returnable) |
| Sales key | C460 |
| Product key | DK6121 |
| GTIN | 4017918077853 |
| Weight per piece (including packing) | 40.97 g |
| Weight per piece (excluding packing) | 40.97 g |
| Customs tariff number | 85364900 |
| Country of origin | DE |

Technical data

Product properties

| | |
|-------------------------|--------------------------------|
| Product type | Relay Module |
| Operating mode | 100% operating factor |
| Mechanical service life | approx. 2×10^7 cycles |

Data management status

| | |
|------------------------------|------------|
| Date of last data management | 01.04.2026 |
|------------------------------|------------|

Electrical properties

| | |
|---|--|
| Maximum power dissipation for nominal condition | 1.15 W |
| Test voltage (Winding/contact) | 2.5 kV AC (50 Hz, 1 min., winding/contact) |

Input data

Coil side

| | |
|---|--|
| Nominal input voltage U_N | 230 V AC/DC |
| Input voltage range | 184 V AC/DC ... 243.8 V AC/DC |
| Input voltage range in reference to U_N | 0.8 ... 1.06 |
| Drive and function | monostable |
| Typical input current at U_N | 5 mA |
| Typical response time | 6 ms |
| Typical release time | 7 ms (with DC) |
| Protective circuit | Bridge rectifier; Bridge rectifier Surge protection; Varistor |
| Operating voltage display | yes |

Output data

Switching

| | |
|---------------------------------------|--------------------------------------|
| Contact switching type | Double contact, 1 changeover contact |
| Type of switch contact | Double contact |
| Contact material | Au |
| Maximum switching voltage | 30 V AC 36 V DC |
| Limiting continuous current | 0.5 A |
| Maximum inrush current | 0.2 A |
| Interrupting rating (ohmic load) max. | 5 W (at 24 V DC) |

Switching: when the gold layer is destroyed

| | |
|---------------------------|--|
| Note | the following values are applicable if a gold layer is destroyed |
| Maximum switching voltage | 125 V AC 150 V DC |

ST-REL3-KG230/21/AU - Relay connectors



2826172

<https://www.phoenixcontact.com/us/products/2826172>

| | |
|-----------------------------|-----|
| Limiting continuous current | 2 A |
| Maximum inrush current | 2 A |

Dimensions

| | |
|--------|---------|
| Width | 20.8 mm |
| Height | 33 mm |
| Depth | 66.5 mm |

Material specifications

| | |
|-------|------------------|
| Color | green (RAL 6021) |
|-------|------------------|

Environmental and real-life conditions

Ambient conditions

| | |
|---|------------------|
| Ambient temperature (operation) | -20 °C ... 50 °C |
| Ambient temperature (storage/transport) | -20 °C ... 70 °C |

Standards and regulations

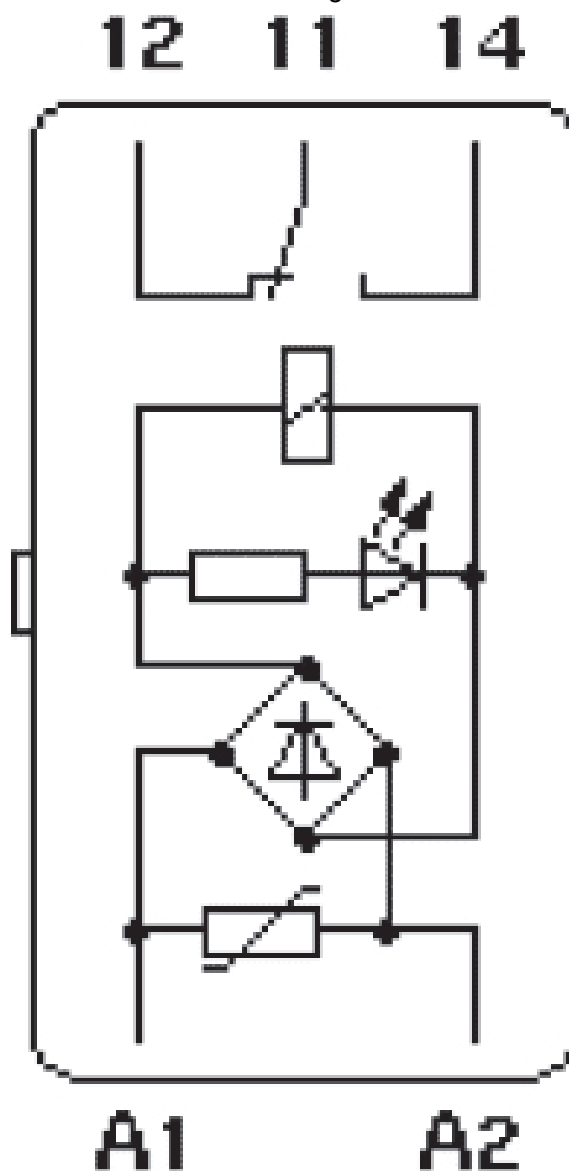
| | |
|-----------------------|--|
| Standards/regulations | DIN VDE 0110b, Gr. C for 250 V DC |
| | IEC 60255/DIN VDE 0435 (in relevant parts) |
| | DIN EN 50178/VDE 0160 (in relevant parts) |
| | EN 60730/DIN VDE 0631 |
| | DIN VDE 0160 (in relevant parts) |

Mounting

| | |
|---------------|------------------|
| Mounting type | Plug-in mounting |
|---------------|------------------|

Drawings

Circuit diagram



2826172

<https://www.phoenixcontact.com/us/products/2826172>

Environmental product compliance

China RoHS

| | |
|--|---|
| Environment friendly use period (EFUP) | EFUP-50 |
| | An article-related China RoHS declaration table can be found in the download area for the respective article under "Manufacturer declaration". For all articles with EFUP-E, no China RoHS declaration table issued and required. |

EU REACH SVHC

| | |
|-------------------------------------|----------------------------|
| REACH candidate substance (CAS No.) | No substance above 0.1 wt% |
|-------------------------------------|----------------------------|

Phoenix Contact 2026 © - all rights reserved
<https://www.phoenixcontact.com>

Phoenix Contact USA
586 Fulling Mill Road
Middletown, PA 17057, United States
(+717) 944-1300
info@phoenixcon.com