

# ST-REL3-KG 24/21AU - Relay connectors



2824190

<https://www.phoenixcontact.com/us/products/2824190>

Please be informed that the data shown in this PDF document is generated from our online catalog. Please find the complete data in the user documentation. Our general terms of use for downloads are valid.



Relay connector, equipped with miniature switching relay, contacts (AgPd60): small loads, 1 changeover contact, input voltage 24 V AC/DC, with LED display, pluggable into basic terminal blocks

## Commercial data

|                                      |               |
|--------------------------------------|---------------|
| Item number                          | 2824190       |
| Packing unit                         | 10 pc         |
| Minimum order quantity               | 1 pc          |
| Sales key                            | C460          |
| Product key                          | DK61B2        |
| GTIN                                 | 4017918077624 |
| Weight per piece (including packing) | 40.5 g        |
| Weight per piece (excluding packing) | 38.9 g        |
| Customs tariff number                | 85364190      |
| Country of origin                    | DE            |

# ST-REL3-KG 24/21AU - Relay connectors



2824190

<https://www.phoenixcontact.com/us/products/2824190>

## Technical data

### Product properties

|                         |                                |
|-------------------------|--------------------------------|
| Product type            | Relay Module                   |
| Operating mode          | 100% operating factor          |
| Mechanical service life | approx. $2 \times 10^7$ cycles |

### Data management status

|                              |            |
|------------------------------|------------|
| Date of last data management | 01.04.2026 |
|------------------------------|------------|

### Electrical properties

|   |  |
|---|--|
| Maximum power dissipation for nominal condition | 0.5 W                                      |
| Test voltage (Winding/contact)                  | 2.5 kV AC (50 Hz, 1 min., winding/contact) |

### Input data

#### Coil side

|                                |                                       |
|--------------------------------|---------------------------------------|
| Nominal input voltage $U_N$    | 24 V AC/DC                            |
| Input voltage range            | 19.2 V AC/DC ... 26.4 V AC/DC (20 °C) |
| Drive and function             | monostable                            |
| Drive (polarity)               | polarized                             |
| Typical input current at $U_N$ | 21 mA                                 |
| Typical response time          | 7 ms                                  |
| Typical release time           | 11 ms (with DC)                       |
| Protective circuit             | Bridge rectifier, varistor            |
| Operating voltage display      | yes                                   |

### Output data

#### Switching

|                                       |                          |
|---------------------------------------|--------------------------|
| Contact switching type                | 1 changeover contact     |
| Type of switch contact                | Double contact           |
| Contact material                      | AgPd60, hard gold-plated |
| Maximum switching voltage             | 30 V AC<br>36 V DC       |
| Limiting continuous current           | 0.5 A                    |
| Maximum inrush current                | 0.2 A                    |
| Interrupting rating (ohmic load) max. | 5 W (at 24 V DC)         |

#### Switching: when the gold layer is destroyed

|                             |  |
|-----------------------------|--|
| Note                        | the following values are applicable if a gold layer is destroyed |
| Maximum switching voltage   | 125 V AC<br>150 V DC   |
| Limiting continuous current | 2 A  |

# ST-REL3-KG 24/21AU - Relay connectors



2824190

<https://www.phoenixcontact.com/us/products/2824190>

|                                       |                   |
|---------------------------------------|-------------------|
| Maximum inrush current                | 2 A               |
| Interrupting rating (ohmic load) max. | 29 W (at 24 V DC) |
|                                       | 29 W (at 48 V DC) |
|                                       | 29 W (at 60 V DC) |

## Dimensions

### Item dimensions

|        |         |
|--------|---------|
| Width  | 20.8 mm |
| Height | 33 mm   |
| Depth  | 66.5 mm |

## Material specifications

|       |                  |
|-------|------------------|
| Color | green (RAL 6021) |
|-------|------------------|

## Environmental and real-life conditions

### Ambient conditions

|   |                  |
|---|------------------|
| Ambient temperature (operation)         | -20 °C ... 50 °C |
| Ambient temperature (storage/transport) | -20 °C ... 70 °C |

## Standards and regulations

|                       |  |
|-----------------------|--|
| Standards/regulations | DIN VDE 0110b, Gr. C for 250 V DC          |
|                       | IEC 60255/DIN VDE 0435 (in relevant parts) |
|                       | DIN EN 50178/VDE 0160 (in relevant parts)  |
|                       | EN 60730/DIN VDE 0631                      |
|                       | DIN VDE 0160 (in relevant parts)           |

## Mounting

|               |                  |
|---------------|------------------|
| Mounting type | Plug-in mounting |
|---------------|------------------|

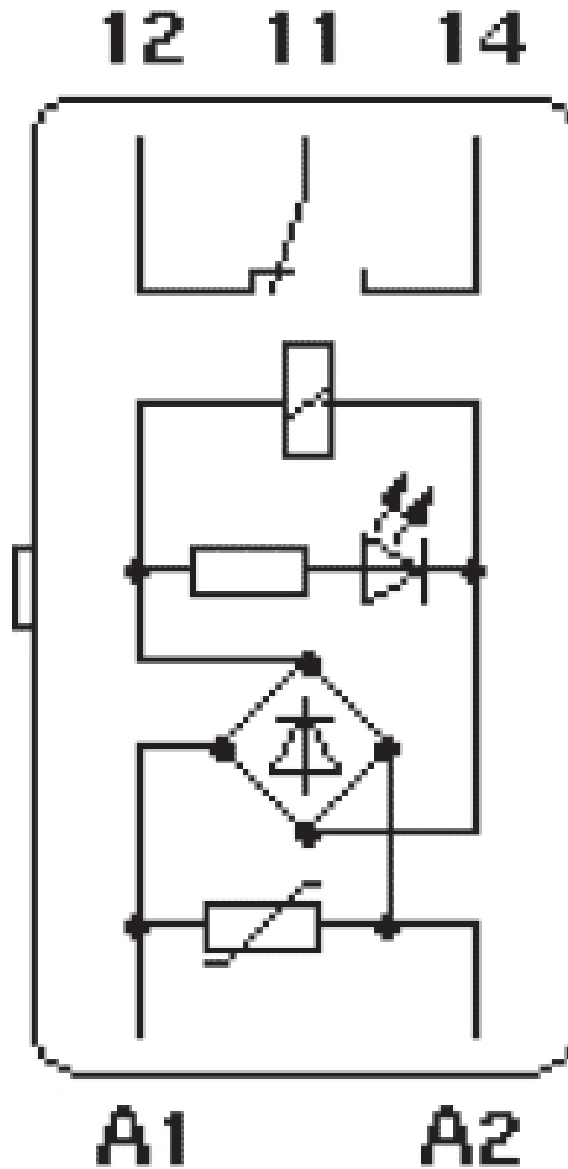
# ST-REL3-KG 24/21AU - Relay connectors

2824190

<https://www.phoenixcontact.com/us/products/2824190>

## Drawings

Circuit diagram



# ST-REL3-KG 24/21AU - Relay connectors



2824190

<https://www.phoenixcontact.com/us/products/2824190>

## Classifications

### ECLASS

|             |          |
|-------------|----------|
| ECLASS-13.0 | 27371601 |
| ECLASS-15.0 | 27371601 |

### ETIM

|           |          |
|-----------|----------|
| ETIM 10.0 | EC001437 |
|-----------|----------|

### UNSPSC

|             |          |
|-------------|----------|
| UNSPSC 21.0 | 39122300 |
|-------------|----------|

# ST-REL3-KG 24/21AU - Relay connectors



2824190

<https://www.phoenixcontact.com/us/products/2824190>

## Environmental product compliance

### EU RoHS

|   |              |
|---|--------------|
| Fulfills EU RoHS substance requirements | Yes          |
| Exemption                               | 7(a), 7(c)-I |

### China RoHS

|  |   |
|--|---|
| Environment friendly use period (EFUP) | EFUP-50   |
|  | An article-related China RoHS declaration table can be found in the download area for the respective article under "Manufacturer declaration". For all articles with EFUP-E, no China RoHS declaration table issued and required. |

### EU REACH SVHC

|                                     |                                      |
|-------------------------------------|--------------------------------------|
| REACH candidate substance (CAS No.) | Lead(CAS: 7439-92-1)                 |
| SCIP                                | 67ddb980-3e0c-44e8-867c-c0b014765b3d |

### EF3.1 Climate Change

|         |               |
|---------|---------------|
| CO2e kg | 1.282 kg CO2e |
|---------|---------------|

Phoenix Contact 2026 © - all rights reserved  
<https://www.phoenixcontact.com>

Phoenix Contact USA  
586 Fulling Mill Road  
Middletown, PA 17057, United States  
(+717) 944-1300  
[info@phoenixcon.com](mailto:info@phoenixcon.com)