

ST-REL4-KG 48/ 1- 1 - Relay connectors



2821258

<https://www.phoenixcontact.com/us/products/2821258>

Please be informed that the data shown in this PDF document is generated from our online catalog. Please find the complete data in the user documentation. Our general terms of use for downloads are valid.



Relay connector, fitted with miniature switching relay, contacts (AgNi): Medium to large loads, 2 N/O contacts, 48 V AC/DC input voltage, with light indicator, can be plugged into basic terminal blocks

The figure shows version ST-REL 4-HW 24/1-1

Commercial data

Item number	2821258
Packing unit	1 pc
Note	Made to order (non-returnable)
Sales key	C460
Product key	DK6125
GTIN	4017918077082
Weight per piece (including packing)	44.6 g
Weight per piece (excluding packing)	44.3 g
Customs tariff number	85364190
Country of origin	DE

ST-REL4-KG 48/ 1- 1 - Relay connectors



2821258

<https://www.phoenixcontact.com/us/products/2821258>

Technical data

Product properties

Product type	Relay Module
Operating mode	100% operating factor
Mechanical service life	approx. 2×10^7 cycles

Data management status

Date of last data management	12.09.2025
------------------------------	------------

Electrical properties

Maximum power dissipation for nominal condition	0.43 W
Test voltage (Winding/contact)	2.5 kV AC (50 Hz, 1 min., winding/contact)
Test voltage (N/O contact / N/O contact)	2 kV AC (50 Hz, 1 min., N/O contact / N/O contact)

Input data

Coil side

Nominal input voltage U_N	48 V AC/DC
Input voltage range	43.2 V AC/DC ... 52.8 V AC/DC
Input voltage range in reference to U_N	0.9 ... 1.1
Drive and function	monostable
Typical input current at U_N	9 mA
Typical response time	9 ms (with DC)
Typical release time	10 ms (with DC)
Protective circuit	Bridge rectifier, varistor
Operating voltage display	yes

Output data

Switching

Contact switching type	Single contact, 2 N/O contact
Type of switch contact	Single contact
Contact material	AgNi
Maximum switching voltage	250 V AC/DC
Limiting continuous current	5 A
Maximum inrush current	6 A
Interrupting rating (ohmic load) max.	120 W (at 24 V DC)
	85 W (at 48 V DC)
	60 W (at 60 V DC)
	40 W (at 110 V DC)
	60 W (at 220 V DC)
	1250 VA (for 250 V AC)

Dimensions

ST-REL4-KG 48/ 1- 1 - Relay connectors



2821258

<https://www.phoenixcontact.com/us/products/2821258>

Width	27 mm
Height	33 mm
Depth	66.5 mm

Material specifications

Color	green (RAL 6021)
-------	------------------

Environmental and real-life conditions

Ambient conditions

Ambient temperature (operation)	-20 °C ... 50 °C
Ambient temperature (storage/transport)	-20 °C ... 70 °C

Standards and regulations

Standards/regulations	DIN VDE 0110b, Gr. C for 250 V DC
	IEC 60255/DIN VDE 0435 (in relevant parts)
	DIN EN 50178/VDE 0160 (in relevant parts)
	EN 60730/DIN VDE 0631
	DIN VDE 0160 (in relevant parts)

Mounting

Mounting type	Plug-in mounting
---------------	------------------

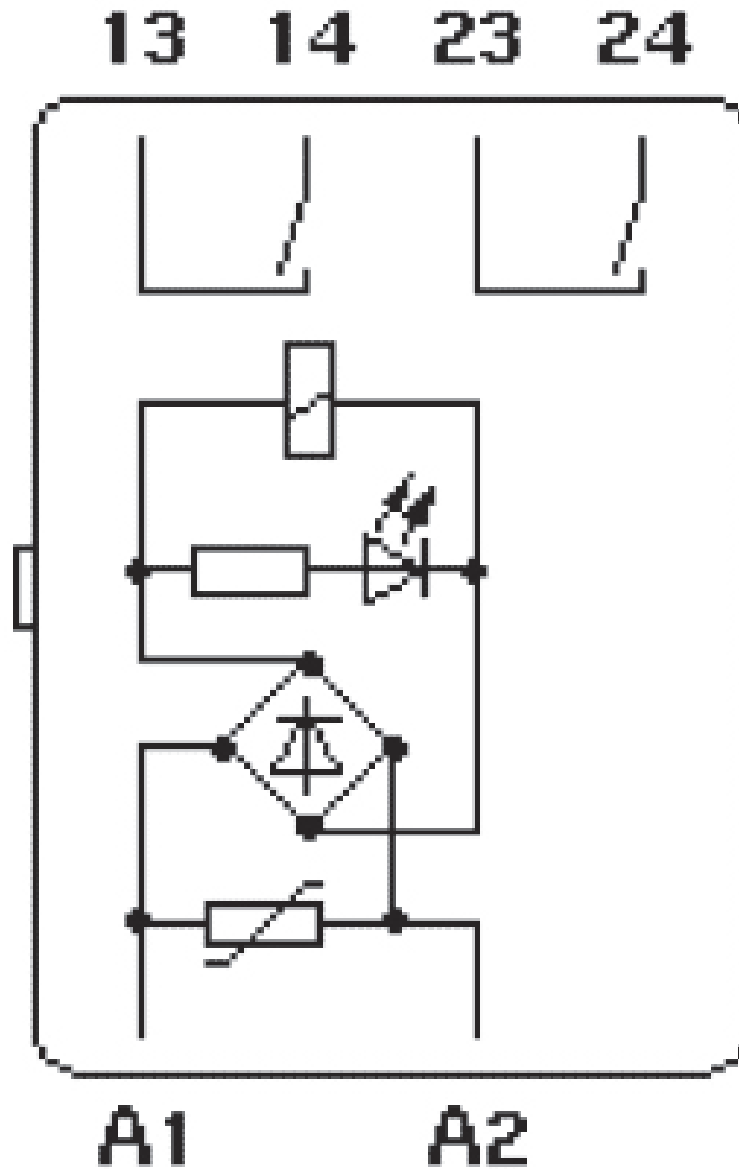
ST-REL4-KG 48/ 1- 1 - Relay connectors

2821258

<https://www.phoenixcontact.com/us/products/2821258>

Drawings

Circuit diagram



Phoenix Contact 2026 © - all rights reserved
<https://www.phoenixcontact.com>

Phoenix Contact USA
586 Fulling Mill Road
Middletown, PA 17057, United States
(+717) 944-1300
info@phoenixcon.com