

# ST-REL3-KG 60/21 - Relay connectors



2821106

<https://www.phoenixcontact.com/us/products/2821106>

Please be informed that the data shown in this PDF document is generated from our online catalog. Please find the complete data in the user documentation. Our general terms of use for downloads are valid.



Relay connector, equipped with miniature switching relay, contacts (AgNi): medium to large loads, 1 changeover contact, input voltage 60 V AC/DC, with LED display, pluggable into basic terminal blocks

The figure shows version ST-REL3-KG 24/21

## Commercial data

Item number	2821106
Packing unit	1 pc
Note	Made to order (non-returnable)
Sales key	C460
Product key	DK6122
GTIN	4017918077020
Weight per piece (including packing)	40.78 g
Weight per piece (excluding packing)	40.59 g
Customs tariff number	85364190
Country of origin	DE

# ST-REL3-KG 60/21 - Relay connectors



2821106

<https://www.phoenixcontact.com/us/products/2821106>

## Technical data

### Product properties

Product type	Relay Module
Operating mode	100% operating factor
Mechanical service life	approx. $2 \times 10^7$ cycles

### Data management status

Date of last data management	01.04.2026
------------------------------	------------

### Electrical properties

Maximum power dissipation for nominal condition	0.6 W
Test voltage (Winding/contact)	2.5 kV AC (50 Hz, 1 min., winding/contact)

### Input data

#### Coil side

Nominal input voltage $U_N$	60 V AC/DC
Input voltage range	48 V AC/DC ... 66 V AC/DC
Input voltage range in reference to $U_N$	0.8 ... 1.1
Drive and function	monostable
Typical input current at $U_N$	10 mA
Typical response time	7 ms
Typical release time	11 ms (with DC)
Protective circuit	Bridge rectifier, varistor
Operating voltage display	yes

### Output data

#### Switching

Contact switching type	Single contact, 1 changeover contact
Type of switch contact	Single contact
Contact material	AgNi
Maximum switching voltage	250 V AC/DC
Limiting continuous current	6 A
Maximum inrush current	8 A
Interrupting rating (ohmic load) max.	95 W (at 24 V DC) 50 W (at 48 V DC) 45 W (at 60 V DC) 35 W (at 110 V DC) 55 W (at 220 V DC) 1500 VA (for 250 V AC)

### Connection data

Connection method	Plug-in connection
-------------------	--------------------

# ST-REL3-KG 60/21 - Relay connectors



2821106

<https://www.phoenixcontact.com/us/products/2821106>

## Dimensions

Width	20.8 mm
Height	33 mm
Depth	66.5 mm

## Material specifications

Color	green (RAL 6021)
-------	------------------

## Environmental and real-life conditions

### Ambient conditions

Ambient temperature (operation)	-20 °C ... 50 °C
Ambient temperature (storage/transport)	-20 °C ... 70 °C

## Standards and regulations

Standards/regulations	DIN VDE 0110b, Gr. C for 250 V DC
	IEC 60255/DIN VDE 0435 (in relevant parts)
	DIN EN 50178/VDE 0160 (in relevant parts)
	EN 60730/DIN VDE 0631
	DIN VDE 0160 (in relevant parts)

## Mounting

Mounting type	Plug-in mounting
---------------	------------------

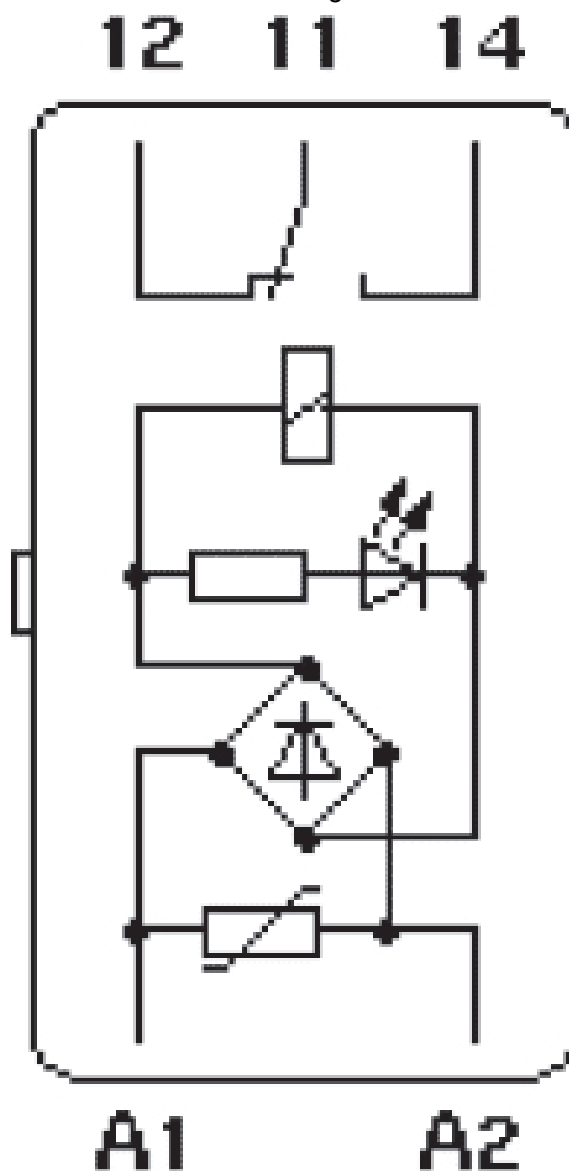
# ST-REL3-KG 60/21 - Relay connectors

2821106

<https://www.phoenixcontact.com/us/products/2821106>

## Drawings

Circuit diagram



# ST-REL3-KG 60/21 - Relay connectors



2821106

<https://www.phoenixcontact.com/us/products/2821106>

## Classifications

### UNSPSC

UNSPSC 21.0

39122334

Phoenix Contact 2026 © - all rights reserved

<https://www.phoenixcontact.com>

Phoenix Contact USA

586 Fulling Mill Road

Middletown, PA 17057, United States

(+717) 944-1300

[info@phoenixcon.com](mailto:info@phoenixcon.com)