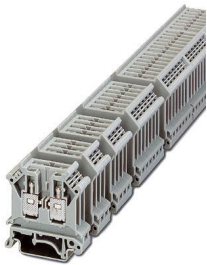


URELG 2 - Basic terminal block

2820262

<https://www.phoenixcontact.com/us/products/2820262>

Please be informed that the data shown in this PDF document is generated from our online catalog. Please find the complete data in the user documentation. Our general terms of use for downloads are valid.



The figure shows versions with a different no. of positions

Basic termination blocks with screw connection for NS 32 and NS 35/7.5 DIN rail, with end cover, for ST-REL..., ST-OV... and ST-OE... plugs, 2-pos.

Commercial data

Item number	2820262
Packing unit	10 pc
Minimum order quantity	1 pc
Sales key	C460
Product key	DK61B4
GTIN	4017918076818
Weight per piece (including packing)	23.75 g
Weight per piece (excluding packing)	21.528 g
Customs tariff number	85369010
Country of origin	DE

URELG 2 - Basic terminal block

2820262

<https://www.phoenixcontact.com/us/products/2820262>

Technical data

Product properties

Product type	Relay socket
Number of positions	2

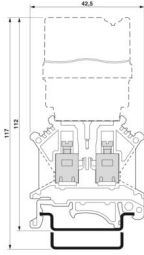
Electrical properties

Nominal voltage U_N	400 V (voltage is determined by the coupling connector.)
Nominal current I_N	16 A (current is determined by the coupling connector.)

Connection data

Connection method	Screw connection
Stripping length	9 mm
Screw thread	M3
Conductor cross-section rigid	0.2 mm ² ... 4 mm ²
Conductor cross-section flexible	0.2 mm ² ... 4 mm ²
Conductor cross-section AWG	24 ... 12

Dimensions

Dimensional drawing	
Width	14.6 mm (with cover)
Height	42.5 mm
Depth	112 mm

Material specifications

Color	gray (RAL 7042)
Insulating material	PA

Environmental and real-life conditions

Ambient conditions

Ambient temperature (operation)	-20 °C ... 50 °C
Ambient temperature (storage/transport)	-20 °C ... 70 °C

URELG 2 - Basic terminal block

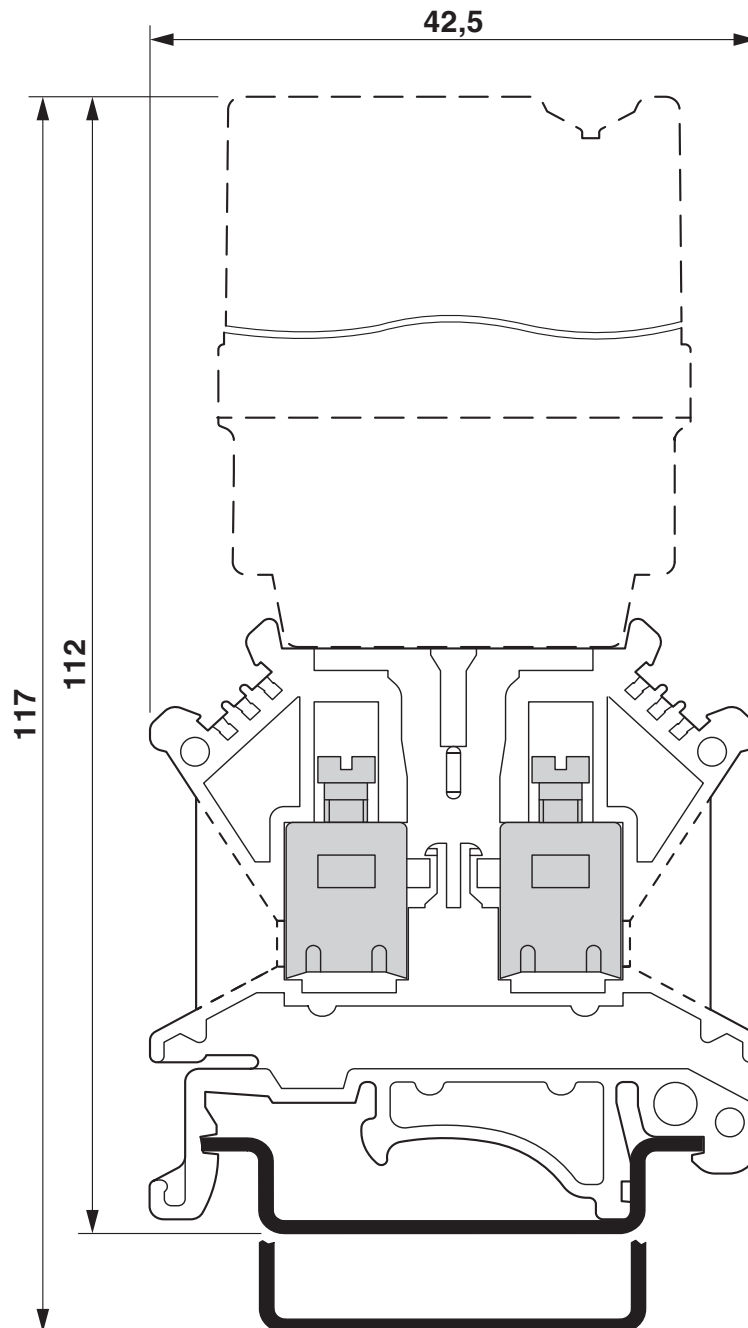
2820262

<https://www.phoenixcontact.com/us/products/2820262>



Drawings

Dimensional drawing



URELG 2 - Basic terminal block

2820262

<https://www.phoenixcontact.com/us/products/2820262>

Schematic diagram



- 1 = Coupling connector
- 2 = Coding
- 3 = Cover
- 4 = Basic termination block

URELG 2 - Basic terminal block



2820262

<https://www.phoenixcontact.com/us/products/2820262>

Approvals

To download certificates, visit the product detail page: <https://www.phoenixcontact.com/us/products/2820262>



EAC

Approval ID: RU C-DE.A*30.B.01742

URELG 2 - Basic terminal block



2820262

<https://www.phoenixcontact.com/us/products/2820262>

Classifications

ECLASS

ECLASS-13.0	27371603
ECLASS-15.0	27371603

ETIM

ETIM 10.0	EC001456
-----------	----------

UNSPSC

UNSPSC 21.0	39122300
-------------	----------

URELG 2 - Basic terminal block



2820262

<https://www.phoenixcontact.com/us/products/2820262>

Environmental product compliance

EU RoHS

Fulfills EU RoHS substance requirements	Yes, No exemptions
---	--------------------

China RoHS

Environment friendly use period (EFUP)	EFUP-E
	No hazardous substances above the limits

EU REACH SVHC

REACH candidate substance (CAS No.)	No substance above 0.1 wt%
-------------------------------------	----------------------------

EF3.1 Climate Change

CO2e kg	0.135 kg CO2e
---------	---------------

Phoenix Contact 2026 © - all rights reserved
<https://www.phoenixcontact.com>

Phoenix Contact USA
586 Fulling Mill Road
Middletown, PA 17057, United States
(+717) 944-1300
info@phoenixcon.com