

# URELG 3 - Basic terminal block

2820136

<https://www.phoenixcontact.com/us/products/2820136>

Please be informed that the data shown in this PDF document is generated from our online catalog. Please find the complete data in the user documentation. Our general terms of use for downloads are valid.



The figure shows versions with a different no. of positions

Basic termination blocks with screw connection for NS 32 and NS 35/7.5 DIN rail, with end cover, for ST-REL..., ST-OV... and ST-OE... plugs, 3-pos.

## Commercial data

Item number	2820136
Packing unit	10 pc
Minimum order quantity	1 pc
Sales key	C460
Product key	DK61B4
GTIN	4017918076788
Weight per piece (including packing)	33.46 g
Weight per piece (excluding packing)	30.578 g
Customs tariff number	85369010
Country of origin	DE

# URELG 3 - Basic terminal block

2820136

<https://www.phoenixcontact.com/us/products/2820136>

## Technical data

### Product properties

Number of positions	3
---------------------	---

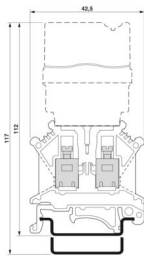
### Electrical properties

Nominal voltage $U_N$	400 V (voltage is determined by the coupling connector.)
Nominal current $I_N$	16 A (current is determined by the coupling connector.)

### Connection data

Connection method	Screw connection
Stripping length	9 mm
Screw thread	M3
Conductor cross-section rigid	0.2 mm <sup>2</sup> ... 4 mm <sup>2</sup>
Conductor cross-section flexible	0.2 mm <sup>2</sup> ... 4 mm <sup>2</sup>
Conductor cross-section AWG	24 ... 12

### Dimensions

Dimensional drawing	
Width	20.8 mm (with cover)
Height	42.5 mm
Depth	112 mm

### Material specifications

Color	gray (RAL 7042)
Insulating material	PA

### Environmental and real-life conditions

#### Ambient conditions

Ambient temperature (operation)	-20 °C ... 50 °C
Ambient temperature (storage/transport)	-20 °C ... 70 °C

### Mounting

Mounting type	DIN rail mounting
---------------	-------------------

# URELG 3 - Basic terminal block

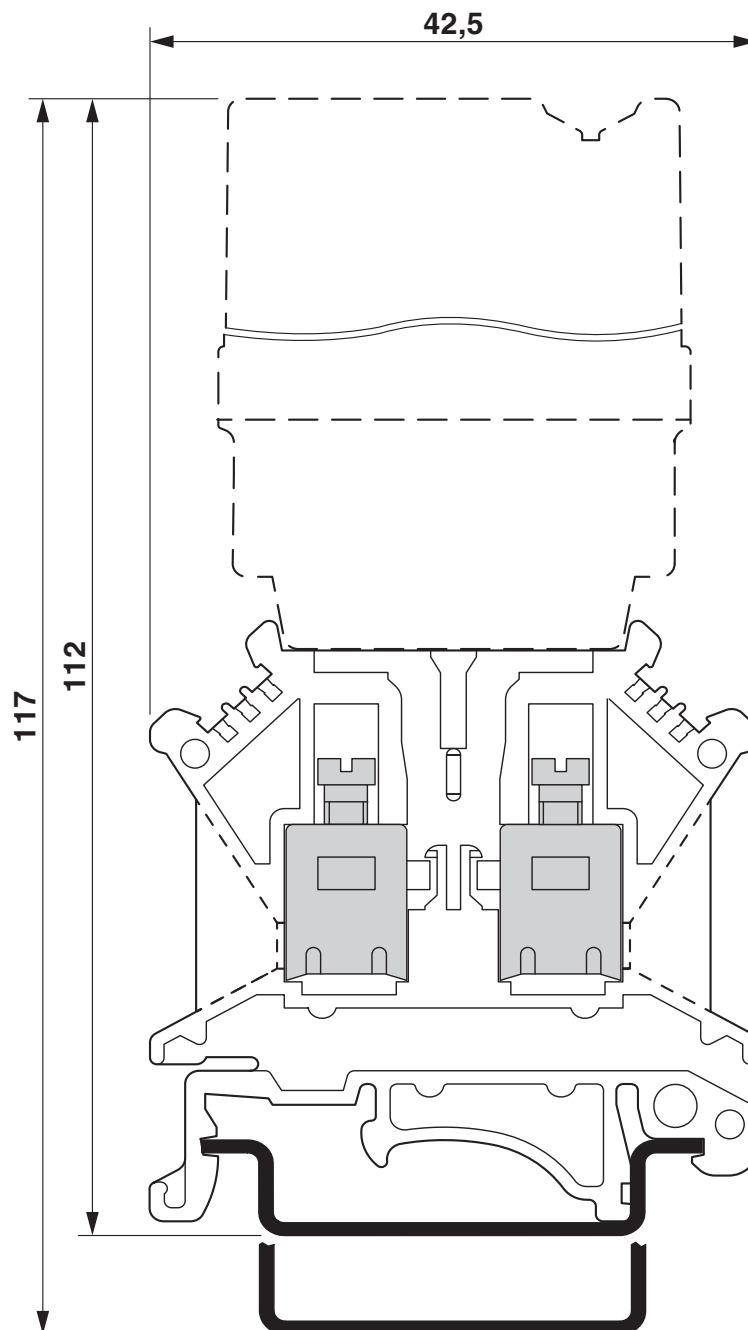
2820136

<https://www.phoenixcontact.com/us/products/2820136>



## Drawings

Dimensional drawing



# URELG 3 - Basic terminal block

2820136

<https://www.phoenixcontact.com/us/products/2820136>

Schematic diagram



- 1 = Coupling connector
- 2 = Coding
- 3 = Cover
- 4 = Basic termination block

# URELG 3 - Basic terminal block



2820136

<https://www.phoenixcontact.com/us/products/2820136>

## Approvals

To download certificates, visit the product detail page: <https://www.phoenixcontact.com/us/products/2820136>



**EAC**

Approval ID: RU C-DE.A\*30.B.01742

**DNV**

Approval ID: TAE00001CT

# URELG 3 - Basic terminal block



2820136

<https://www.phoenixcontact.com/us/products/2820136>

## Classifications

### ECLASS

ECLASS-13.0	27371603
ECLASS-15.0	27371603

### ETIM

ETIM 10.0	EC001456
-----------	----------

### UNSPSC

UNSPSC 21.0	39122300
-------------	----------

# URELG 3 - Basic terminal block



2820136

<https://www.phoenixcontact.com/us/products/2820136>

## Environmental product compliance

### EU RoHS

Fulfills EU RoHS substance requirements	Yes, No exemptions
---	--------------------

### China RoHS

Environment friendly use period (EFUP)	EFUP-E
	No hazardous substances above the limits

### EU REACH SVHC

REACH candidate substance (CAS No.)	No substance above 0.1 wt%
-------------------------------------	----------------------------

Phoenix Contact 2026 © - all rights reserved  
<https://www.phoenixcontact.com>

Phoenix Contact USA  
586 Fulling Mill Road  
Middletown, PA 17057, United States  
(+717) 944-1300  
[info@phoenixcon.com](mailto:info@phoenixcon.com)