

# IB IL TEMPCON 300 UTH-PAC - Inline function terminal



2819671

<https://www.phoenixcontact.com/us/products/2819671>

Please be informed that the data shown in this PDF document is generated from our online catalog. Please find the complete data in the user documentation. Our general terms of use for downloads are valid.



Inline temperature controller, complete with accessories (connector and labeling field) with 8 thermocouple inputs, 8 binary outputs, 1 input for recording the total current of heating elements, can be expanded to 30 control circuits with Inline temperature measurement terminals.

## Your advantages

- The Inline multi-channel temperature controller is a freely parameterizable slave for the Inline installation system.
- Can be extended by up to 30 closed-loop control circuits using additional temperature measurement terminals.
- Transmission speed 500 kbps

## Commercial data

Item number	2819671
Packing unit	1 pc
Minimum order quantity	1 pc
Note	Made to order (non-returnable)
Sales key	DR01
Product key	DRI191
GTIN	4017918974411
Weight per piece (including packing)	257.1 g
Weight per piece (excluding packing)	247.3 g
Customs tariff number	90328900
Country of origin	GB

# IB IL TEMPCON 300 UTH-PAC - Inline function terminal

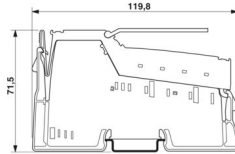


2819671

<https://www.phoenixcontact.com/us/products/2819671>

## Technical data

### Dimensions

Dimensional drawing	
Width	48.8 mm
Height	119.8 mm
Depth	71.5 mm

### Interfaces

#### Inline local bus

Connection method	Inline data jumper
Transmission speed	500 kbps

#### Configuration interface

Connection method	V.24
-------------------	------

### System properties

#### Programming data (LocalbusSlave)

Length code (hex)	06
ID code (dec.)	221
Length code (dec)	06
Process data channel	32 bit
Input address area	4 Byte
Output address area	4 Byte
Parameter channel (PCP)	64 bit
Register length (bus)	96 bit

#### Fieldbus data telegram

Required parameter data	1 Byte
Required configuration data	5 Byte

### Output data

Output voltage	24 V DC
Output current	70 mA (short-circuit-proof)

### Product properties

Product type	I/O component
Product family	Inline

# IB IL TEMPCON 300 UTH-PAC - Inline function terminal



2819671

<https://www.phoenixcontact.com/us/products/2819671>

Type	modular
No. of channels	8
Number of plugs	4

## Electrical properties

Test section	7.5 V supply (bus logics)/24 V supply (I/O) 500 V AC 50 Hz 1 min 24 V supply (I/O) / functional ground 500 V AC 50 Hz 1 min
--------------	--

### Supply

Supply voltage	24 V DC
Max. current consumption	600 mA
Typical current consumption	90 mA

## Connection data

### Connection technology

Connection name	Inline connector
-----------------	------------------

### Inline connector

Connection method	Spring-cage connection
Conductor cross-section, rigid	0.08 mm <sup>2</sup> ... 1.5 mm <sup>2</sup>
Conductor cross-section, flexible	0.08 mm <sup>2</sup> ... 1.5 mm <sup>2</sup>
Conductor cross-section AWG	28 ... 16

## Environmental and real-life conditions

### Ambient conditions

Degree of protection	IP20
Ambient temperature (operation)	0 °C ... 55 °C
Ambient temperature (storage/transport)	-25 °C ... 85 °C
Permissible humidity (operation)	75% average, 85% seldom
Permissible humidity (storage/transport)	75% average, 85% seldom

## Mounting

Mounting type	DIN rail mounting
---------------	-------------------

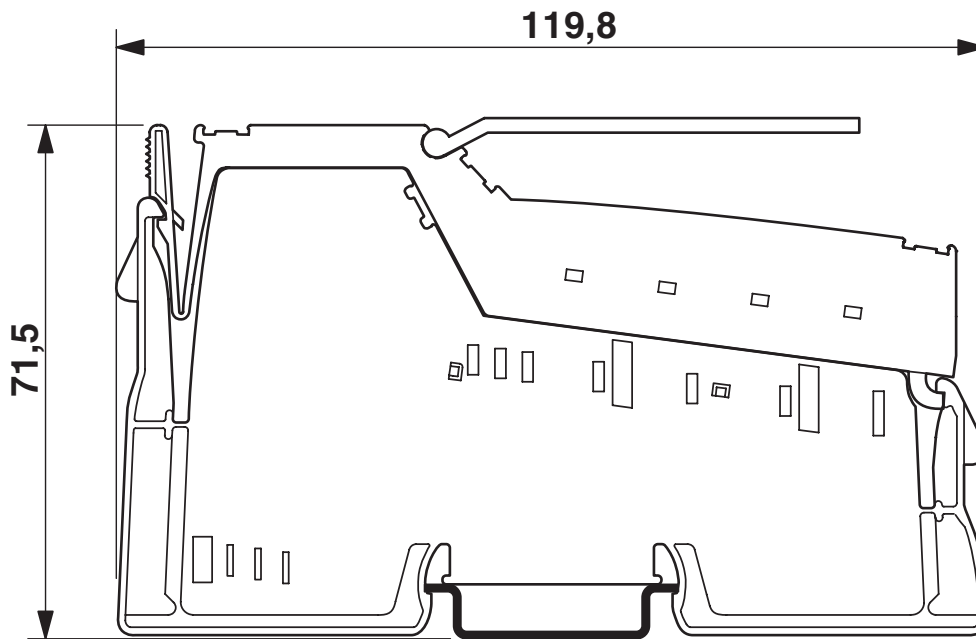
# IB IL TEMPCON 300 UTH-PAC - Inline function terminal

2819671

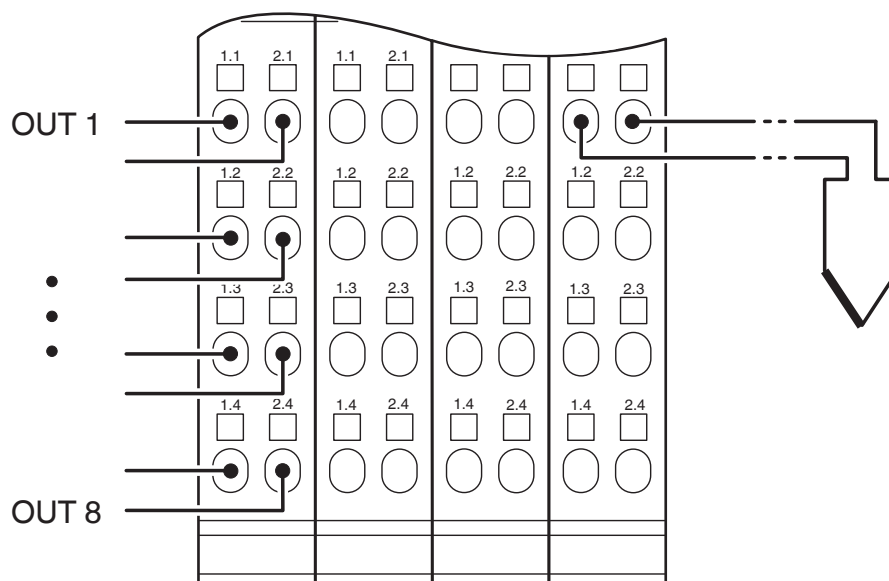
<https://www.phoenixcontact.com/us/products/2819671>

## Drawings

Dimensional drawing



Connection diagram



# IB IL TEMPCON 300 UTH-PAC - Inline function terminal



2819671

<https://www.phoenixcontact.com/us/products/2819671>

## Environmental product compliance

### China RoHS

Environment friendly use period (EFUP)	EFUP-E
	No hazardous substances above the limits

### EU REACH SVHC

REACH candidate substance (CAS No.)	No substance above 0.1 wt%
-------------------------------------	----------------------------

Phoenix Contact 2026 © - all rights reserved  
<https://www.phoenixcontact.com>

Phoenix Contact USA  
586 Fulling Mill Road  
Middletown, PA 17057, United States  
(+717) 944-1300  
[info@phoenixcon.com](mailto:info@phoenixcon.com)